



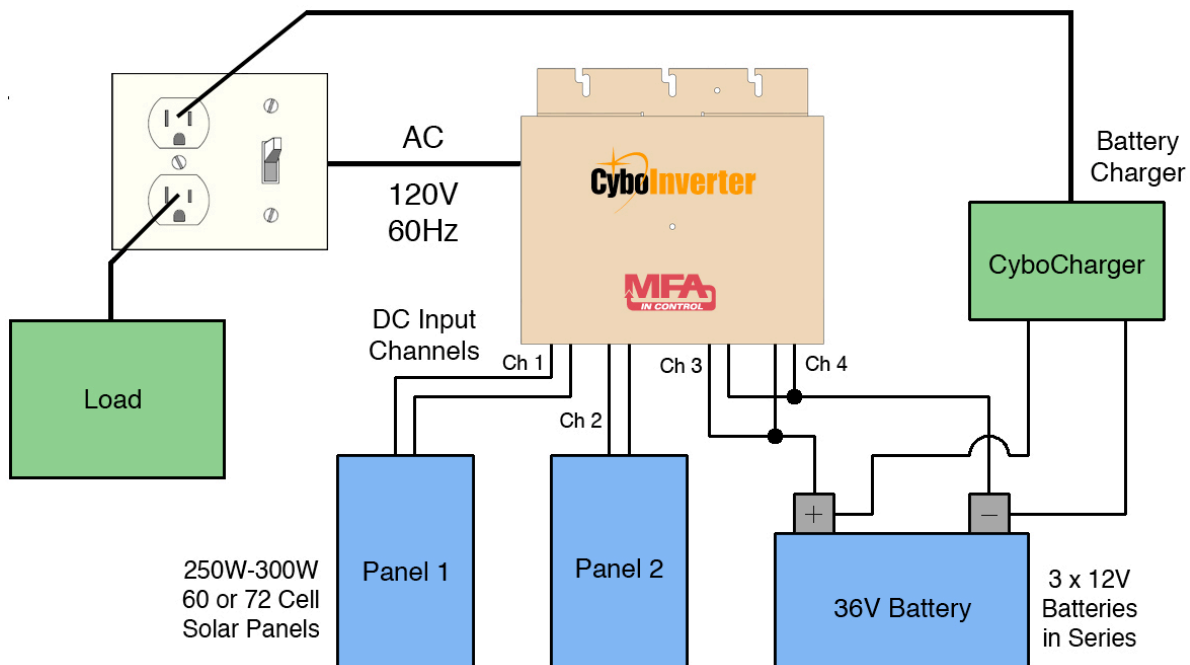
News Release

CyboEnergy Releases Off-Grid CyboInverters at Intersolar Capable of Running Refrigerators for Rural Clinics

July 8, 2014 – CyboEnergy, Inc. (Rancho Cordova, CA), announced today that it has released a new version of off-grid CyboInverters capable of running heavy AC loads including motors, pumps, refrigerators, and air conditioners. CyboEnergy is demonstrating the new products at Intersolar on July 8-10, 2014 in San Francisco, California.

CyboEnergy CEO, Dr. George Cheng said, “This new product is significant because it can run refrigerators to store vaccines for clinics in rural areas that have no electricity. Although charity foundations donate vaccines all over the world, vaccines can be ruined without refrigeration. Through this offering, we hope to help people in need.”

A CyboInverter has 4 input channels, where Channel 1 and 2 can connect to 2 solar panels and Channel 3 and 4 can connect to a 36V battery set. Its AC output can power lights, fans, TV, PC, battery chargers, and refrigerators. A CyboCharger takes power from the same off-grid AC circuit as a load and charges the 36V battery during the day.

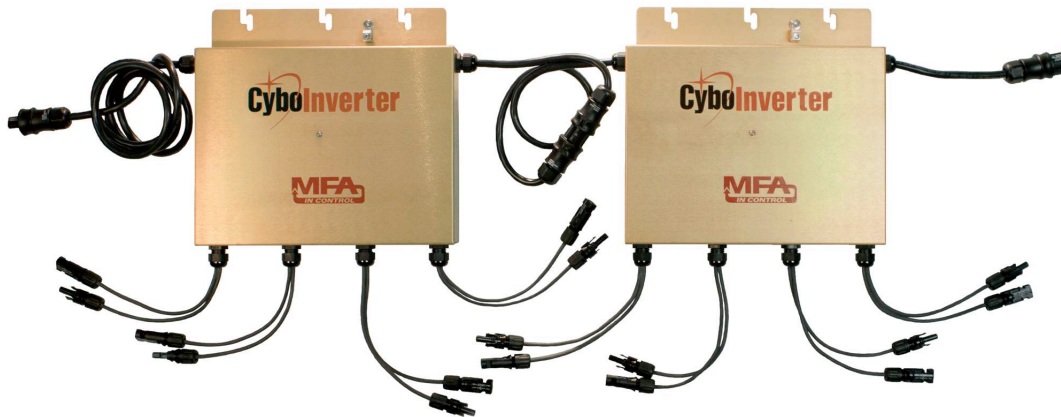


The refrigerator compressor requires a lot of power to start. The off-grid CyboInverter can take extra DC power from the battery and produce up to 1500W AC surge power to start the compressor. After that, the CyboInverter can keep the refrigerator running



with the DC power supplied by the 2 solar panels without drawing power from the battery. This unique and flexible system is cost-effective and user-friendly.

CyboEnergy's latest release also includes the Off-Grid CyboInverter Twin Pack allowing a Master Unit and Slave Unit to daisy-chain producing twice as much AC power to run heavy loads. Made in the USA, CyboInverter is a patented solar power Mini-Inverter that possesses the key merits of both central inverters and microinverters. The product family includes 5 on-grid and 11 off-grid CyboInverters compatible with electrical standards around the globe. This allows for large and easy global rollouts for strategic partners.



CyboEnergy is running live demos for both on-grid and off-grid systems, showing an off-grid CyboInverter Twin Pack running lights, phone chargers, a vacuum cleaner, and a refrigerator. Please visit booth 8717 at Intersolar at Moscone West Convention Center in San Francisco on July 8-10, 2014.

About CyboEnergy and CyboSoft

CyboEnergy is a subsidiary of CyboSoft, focusing on development, manufacturing, marketing, and services of product lines in the clean energy field. CyboEnergy received the Frost & Sullivan's 2013 Global Product Differentiation Excellence Award for Solar Inverters. Founded in 1994, CyboSoft is the leader in control technology serving the worldwide process control, building control, and equipment control markets.

For more information, please contact: CyboEnergy, Tel: (916) 631-6313, e-mail: Mary Lou Davis, mldavis@cybosoft.com, Web site: www.cyboenergy.com.

Cybo, CyboSoft, and MFA are registered trademarks of CyboSoft, General Cybernation Group, Inc. CyboEnergy and CyboInverter are registered trademarks of CyboEnergy, Inc.