

DTS Series

Tact Switches

SPECIFICATIONS

CONTACT: Mechanical contact

CIRCUIT: SPST

RATING: DC 12V 50mA

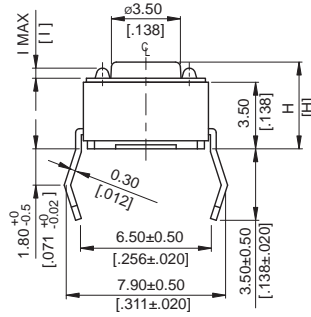
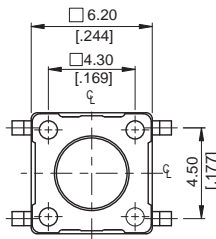
TRAVEL: 0.3±0.15 mm

OPERATING FORCE: 160±50gf
260±50gf

CONTACT RESISTANCE: 100mΩ max.

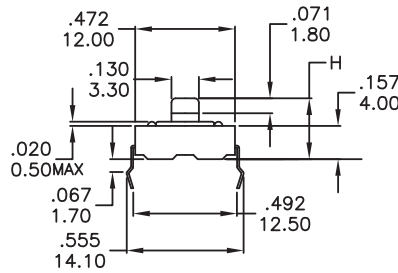
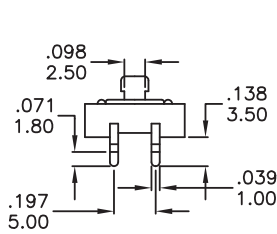
LIFE: 100,000 cycles min.

DTS-62N



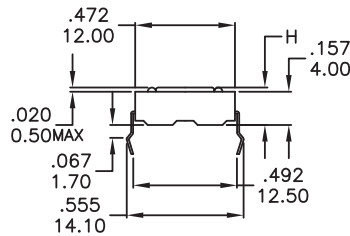
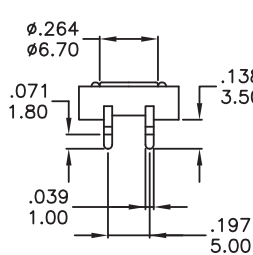
DTS-66	13.0 [512]	0.6 MAX [.0236 MAX]
DTS-65	9.5 [374]	
DTS-63	7.0 [275]	
DTS-62	5.0 [197]	
DTS-61	4.3 [169]	0.5 MAX [.0197 MAX]
PROD. NO.	H	I

DTS-24N



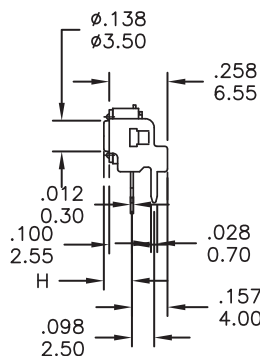
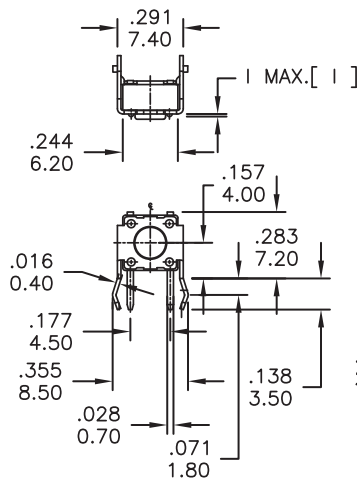
DTS-25	8.50 [335]
DTS-24	7.30 [287]
DTS-21	4.30 [169]
PROD. NO.	H

DTS-21N

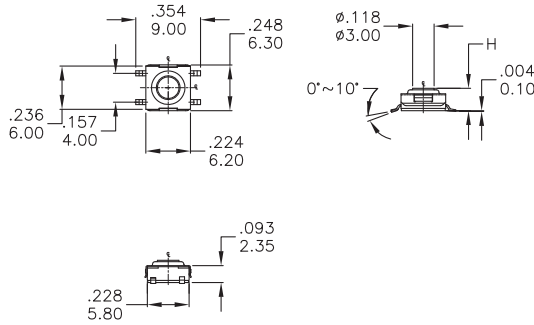


DTS-25	8.50 [335]
DTS-24	7.30 [287]
DTS-21	4.30 [169]
PROD. NO.	H

DTSA-61N



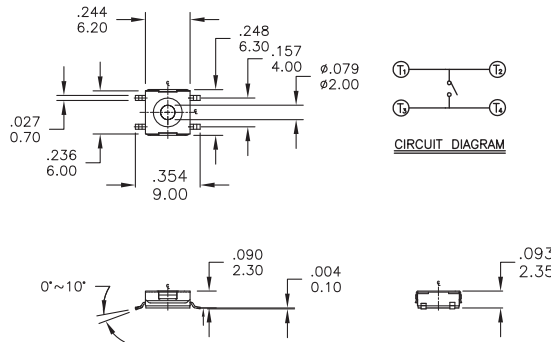
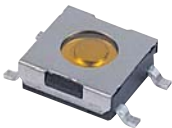
DTS-66	11.85 [467]	0.4MAX [.016MAX]
DTS-65	8.35 [329]	
DTS-63	5.85 [230]	
DTS-62	3.85 [152]	
DTS-61	3.15 [124]	0.3MAX [.012MAX]
PROD. NO.	H	I



DTSMW-66

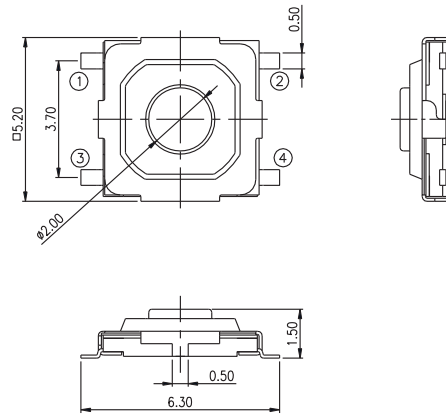
CONTACT: Stainless Steel.
 CIRCUIT DISC: Phosphor brpnze with Silver cladding.
 RATING: Brass with silver cladding.
 BASE: UL94V-0 PPA Hing-Temp. Thermoplastic

DTSMW-69	3.80 [1.50]
DTSMW-68	2.30 [.091]
DTSMW-67	5.20 [.205]
DTSMW-66	3.10 [.120]
DTSMW-65	3.50 [.138]
DTSMW-64	4.50 [.177]
PROD. NO.	H



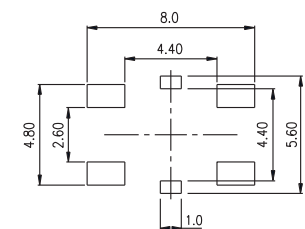
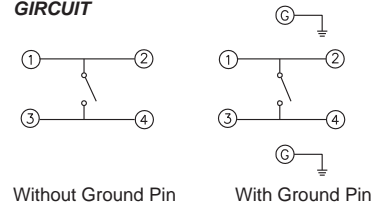
DTSMW-68

	OPERATING FORCE	STEM COLOR
N	160gf	Brown
S	160gf	Silver
R	260gf	Red

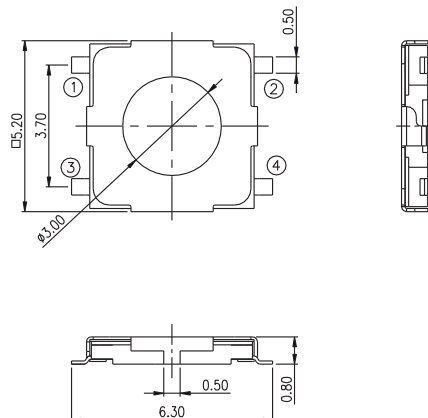


TME-533-Q

GIRCUIT

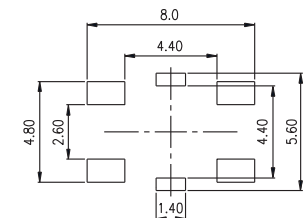
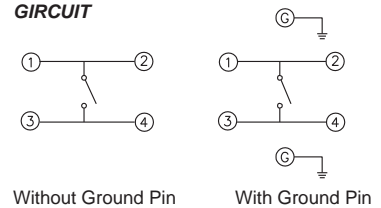


P.C.B. LAYOUT



TME-523-Q

GIRCUIT



P.C.B. LAYOUT