

SS Series

Slide Switches

SPECIFICATIONS

MECHANICAL

Mechanical Life:10,000 operation cycles.
 Operation Force:350gf.
 Operation Temperature Range:-20°C to +70°C
 Storage Temperature Range:-40°C to +85°C.
 Vibration Test:MIL-STD-202F METHOD 201A.
 Frequency:10-55-10Hz /1minute.
 Directions:X,Y,Z, three mutually
 Perpendicular directions.
 Time:2 hours each direction.
 High reliability.
 Shock Test: MIL-STD-202F METHOD 213B.
 CONDITION A.
 Gravity:50G(peak value). 11msec.
 Direction and times: 6 sides and 3 times
 in each direction.

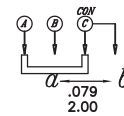
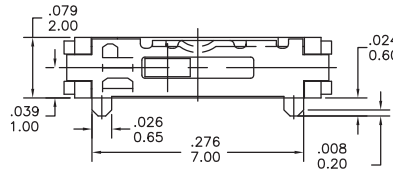
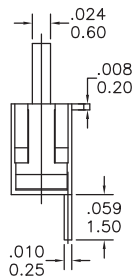
ELECTRICAL

Electrical Life:10,000 operations min.
 Non-Switching Rating:100mA, 50VDC.
 Switching Rating:25mA, 24VDC.
 Contact resistance:100mΩ max.
 Insulation Resistance:100mΩ min.(500VDC)
 Dielectric Strength:500VAC / 1minute.
 Capacitance:50pF max.
 Circuit:1P2T, 1P3T

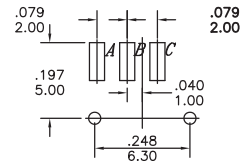
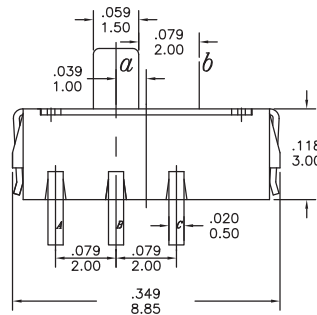
MODEL OPTIONS



SS3-CM



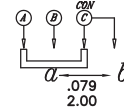
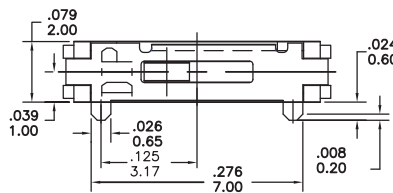
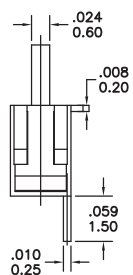
CITCUIT DIAGRAM



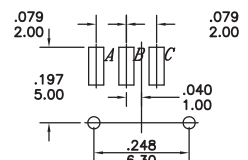
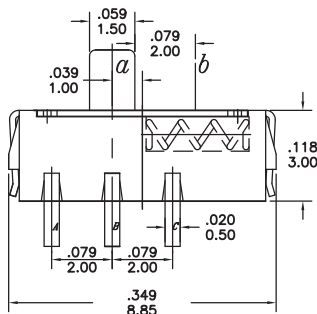
PCB MOUNTING



SS3-CMS

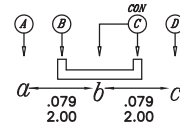
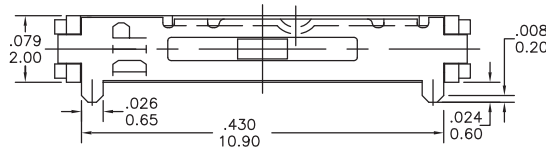


CITCUIT DIAGRAM



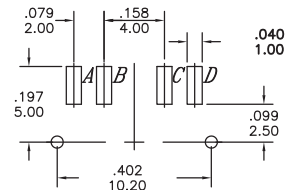
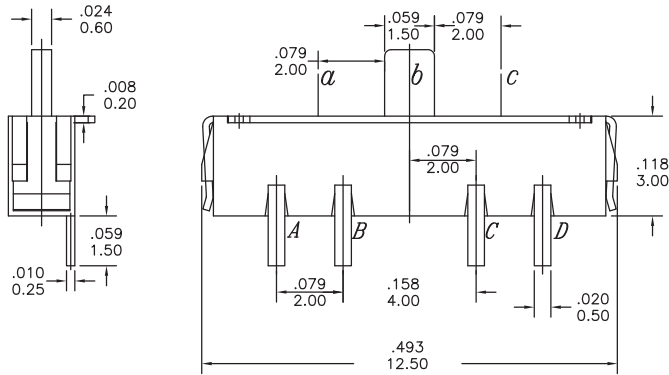
PCB MOUNTING

MODEL OPTIONS

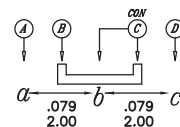
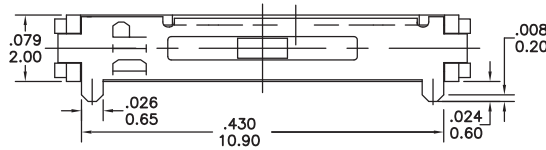


CITCUIT DIAGRAM

SS4-CM

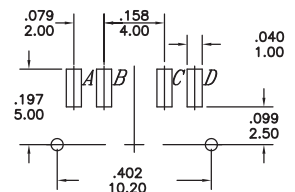
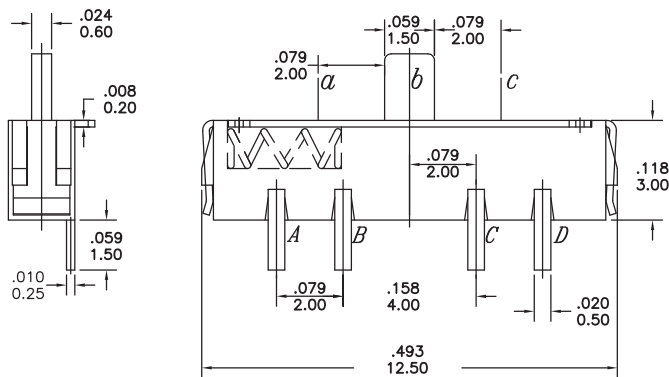


PCB MOUNTING



CITCUIT DIAGRAM

SS4-CMS



PCB MOUNTING