

PTW-003

Emergency Push-Pull Switch

DAILYWELL

應用範圍 / Application

適用於大型設備遙控器

Enormous remote controller

Portable remote controller

Specifications

Contact resistance: 10mΩ MAX

Insulation force: Push force: 2000±500g

Pull force :2100±600g

Total travel: 2±0.2mm

Operating life:

Electronics life:4A,24VDC,10 000 Cycles

Mechanical life: 6-8 Operation cycles per minute,100,000 Cycles

Operating temperature: -40±3°C(96 hours)to + 85±3°C (96 hours)

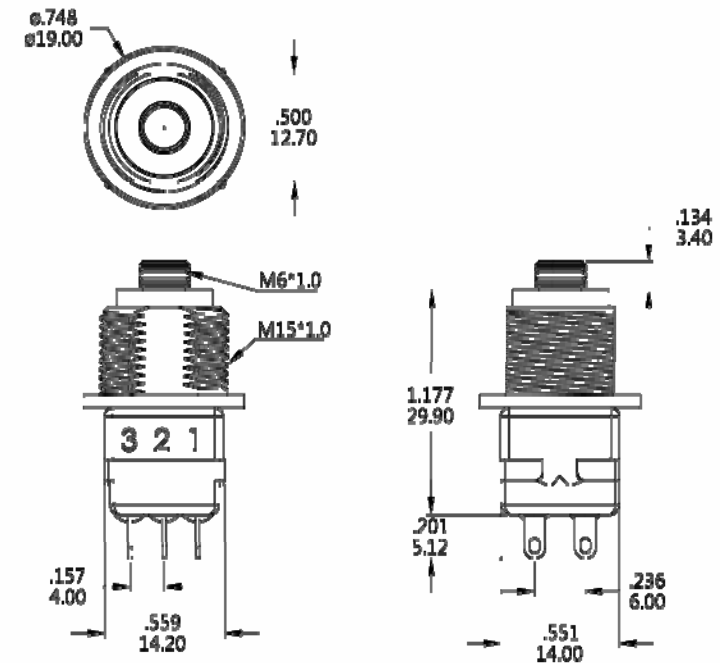
Dielectric strength:

1,000V RMS 50HZ min. Between terminals

2,000V RMS 50HZ min. Between terminals and metal panel



Dimension



FUNCTION			
A	ON	1-3	4-6
B	ON	1-2	4-5

CAP is optional

