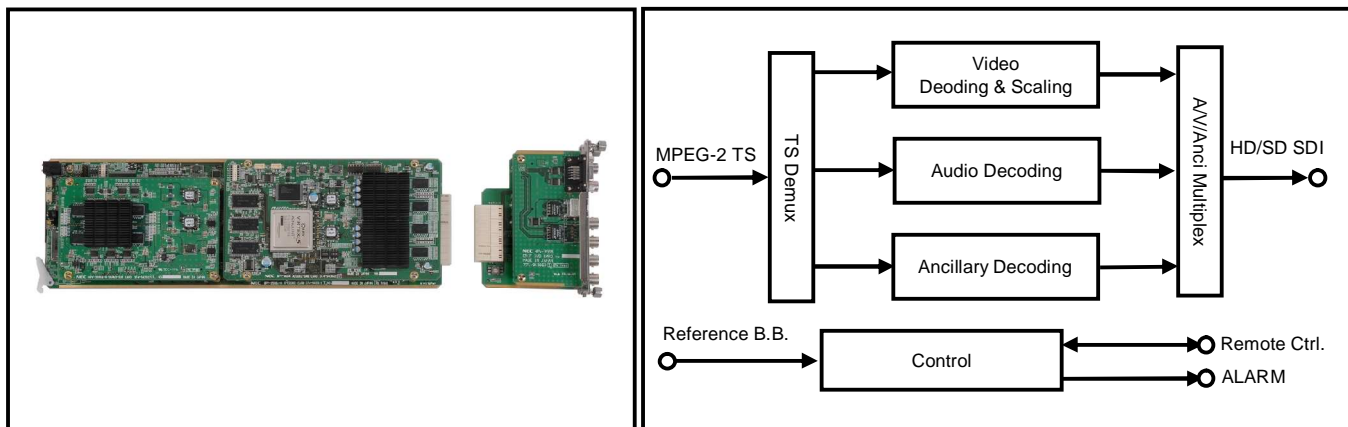


# XD-7370

## H.264/MPEG-2 Monitoring Decoder Board

The XD-7370 is a board type decoder. The compact-designed decoder board is one of the application modules mounted in NEC MF-730/XF-730 integrated signal processing platform. The XD-7370 is compliant with H.264/MPEG-4 AVC High 4:2:2 Profile@Level 4.1 (8bit) and MPEG-2 VIDEO for video decoding. As for the audio decoding, XD-7370 is compliant with MPEG-2 AAC LC Profile, HE-AAC, MPEG-2 BC, MPEG-1 Layer2 and LPCM. Up to 4ES audio decoding is available.

The XD-7370 has a video scaler function to monitor the stream of a variety of formats, such as HD/SD/1segment.



## Features

### Video Decoding

- High 4:2:2 Profile Level4.1 (8bit) of H.264/MPEG-4 AVC and MPEG-2 (ISO/IEC13818-2 standard).
- Multi-format video output signals of 1080i, 720p, 480i and 576i.

### Audio Decoding

- MPEG-2 AAC LC Profile / BC/MPEG-1 Layer2 / LPCM
- MPEG-2 AAC+SBR and MPEG-4 AAC LC Profile / HE-AACv1/HE-AACv2.
- Up to 4 audio ES audio can be decoded simultaneously.

### Ancillary Data Insertion

- The ancillary packet can be decoded and inserted in VBI area of output video signal.

### Compact and Space-efficient

XD-7370 is designed to be mounted in MF-730/XF-730 integrated signal processing platform

- Up to 7 boards in MF-730 Frame.
- Up to 4 boards in XF-730 Frame.

# XD-7370 H.264/MPEG-2 Monitoring Decoder Board

## Specification

Input signal Output signal	<p>(1) Input Signal</p> <ul style="list-style-type: none"> <li>MPEG-2 TS (Transport Stream)</li> <li>I/F: DVB-ASI</li> <li>Format: (204,188) or (188), Mode: byte or packet mode</li> </ul> <p>(2) Output Signal</p> <ul style="list-style-type: none"> <li>1080i serial digital component video</li> <li>Standard: SMPTE-274M, I/F: SMPTE-292M, Frame freq.: 29.97/25Hz, Interlace ratio: 2:1</li> <li>720p serial digital component video</li> <li>Standard: SMPTE-296M, I/F: SMPTE-292M, Frame freq.: 59.94/50Hz, Interlace ratio: 1:1</li> <li>480i/576i serial digital component video</li> <li>Standard: ITU-R BT.601, I/F: SMPTE-259M, Frame freq.: 29.97/25Hz, Interlace ratio: 2:1</li> <li>Audio format</li> <li>Embedded Audio (16ch)</li> </ul>
Video Decoding	<ul style="list-style-type: none"> <li>Decoding scheme</li> <li>ITU-T Rec.H.264 ISO/IEC14496-10 Baseline/Main/High/High4:2:2 Profile@Level1.2,1.3,3.0,4.0,4.1 (8bit)</li> <li>ISO/IEC13818-2 MPEG-2 Video MP@HL/MP@H14L/MP@ML</li> <li>Number of coding pixels (Horizontal pixels x Vertical lines)</li> <li>1920x1080, 1440x1080(1080i)</li> <li>1280x720(720p)</li> <li>720x480/720x576(480i/576i)</li> <li>320x240/320x180(QVGA)</li> </ul>
Audio Decoding	<ul style="list-style-type: none"> <li>Decoding scheme</li> <li>MPEG-2 AAC LC-profile, HE-AACv1</li> <li>MPEG-4 AAC LC-profile, HE-AACv1, v2</li> <li>MPEG-2 BC, MPEG1 Layer2</li> <li>LPCM</li> </ul>
Control	Ethernet
Synchronization	Reference signal RS-170A-compliant analog black burst signal
Operation Temperature	0 °C to 40°C
Power Consumption	38VA or less

## MF-730/XF-730 Frame

Number of mountable boards	Max, 14 board *1
Operation Temperature	0°C to 40°C
Configuration	Frame x 1 Power Supply Unit x 1 or 2*2
Power supply	85 to 264V AC(single phase), 47 to 63Hz
Power Consumption	350VA (with maximum load)*3
Dimensions	132(H,3RU) x 480(W) x 500(D) mm

\*1 This indicates the maximum number of boards which can be installed to MF700/XF700 Series frame with 1 slot size card.

\*2 Redundant Power Supply system is available with two power supply units.

\*3 The power consumption value indicated is measured under maximum load. Actual power consumption varies depending on the type(s) and quantity of boards mounted in the frame.

ISO 9000 Series



ISO 9001 JMI-0119  
NEC Broadcast and Video

ISO 14001



JQA-E-90066  
NEC

### Safety precautions

To install, make connections and operate this product, please carefully read and observe instructions, precautions and recommendations in our instruction manuals.

The colours in this brochure may differ from those of the actual unit. Designs and specifications of this product is subject to change without prior notice.

**NEC Corporation**  
Americas and EMEA Sales Division  
Greater China and Asia Pacific Sales Division  
Broadcast and Video Systems  
7-1, Shiba 5-chome, Minato-ku, Tokyo,  
108-8001, Japan  
Tel: +81-3-3798-5463  
Fax: +81-3-3798-8476

**NEC Europe Ltd.**  
Network Solutions Division  
NEC House, 1 Victoria Road, London  
W3 6BL, United Kingdom  
Tel: +44-(0)20-8993-8111  
Fax: +44-(0)20-8752-3735

**NEC Asia Pacific Pte. Ltd.**  
No.1 Maritime Square  
#12-10 HarbourFront Center  
Singapore 099253  
Tel: +65-6278-1818  
Fax: +65-6271-2088

**NEC Latin America S.A.**  
Av. Paulista, 2.300  
01310-300 Sao Paulo, SP  
Tel: +55-(0)11-3151-7000  
Fax: +55-(0)11-3151-7218