

CWDM Product

# SpectralWave MW0500 Series

Compact CWDM system for bidirectional transmission of up to 8 WDM wavelengths on one fiber

## ■ Key features

### Compact Size

19-inch rack-mountable units of 1U and 2U height.

### Diverse Interfaces

- Gigabit Ethernet (2 per wavelength)
- 10Gigabit Ethernet
- STM-64/OC-192
- Free rate (150Mbps to 2.7Gbps)

### Efficient Wavelength Utilization

Two GbE can be multiplexed onto a single wavelength, allowing up to 16 GbE channels to be accommodated to one shelf. SFP and XFP modules are utilized to enable smooth upgrade and reduce inventory.

### Long Distance Transmission

Up to 100km GbE transmission without optical amplification.

### CAPEX and OPEX Reduction

Bidirectional 4x10GbE or 8xGbE transmission on one fiber reduces fiber cost. Plug-and-Play transponders simplify speed up service installation.

### Network-Friendly

Independence of factors such as frame sizes and protocols enables configuration of networks without considering connectivity to client equipment.

### High Reliability

Redundant power sources are supported. Hot-swap support enables in-service interface upgrade.

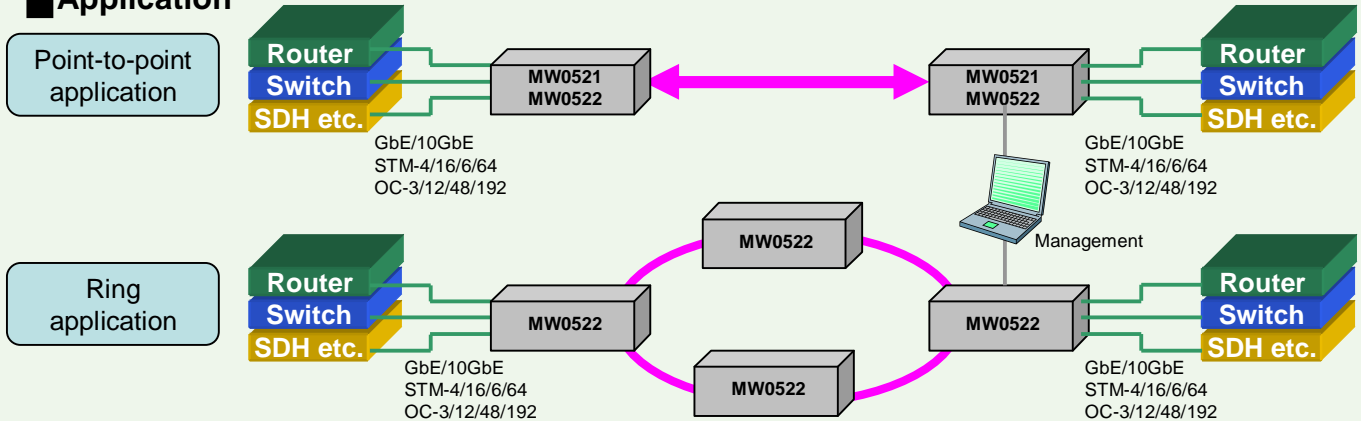
### Sophisticated Monitoring/Control Functions

The MW0500 series supports remote in-band monitoring, with cost-efficient monitoring using SNMP and CLI (Command Line Interface) via Telnet or serial interfaces. Various diagnosis functions such as loop-back testing and WDM transmission testing are supported.





MW0521

## Application




## Specifications

\*: MW0521 uses only one fiber, MW0522 uses one or two fibers.

Items				
		MW0521	MW0522	
Maximum transmission capacity		40Gbps (Bidirectional)	80Gbps (Bidirectional)	
Operating wavelengths (ITU-Grid compliant)		1471 to 1611nm (CWDM)		
Maximum transmission loss		27dB (GbE); 26dB (10GbE); 23dB (free rate)		
Chromatic dispersion tolerance		1600ps/nm		
Multi-span transmission		3R transmission		
Interfaces	Line-side	Port count	1 port	
		Fiber types	SMF(ITU-T G.652 compliant) / DSF(ITU-T G.653 compliant)	
		Connector type	SC	
	Client-side	Interface type	Gigabit Ethernet (1000BASE-SX/LX) 10 Gigabit Ethernet (10GBASE-SR/LR/ER) STM-64/OC-192, Free rate (150Mbps to 2.7Gbps)	
		Maximum capacity	Maximum 4 lambdas GbE: maximum 8 channels 10GbE: maximum 2 channels Free-rate: maximum 4 channels	Maximum 8 lambdas GbE: maximum 16 channels, 10GbE: maximum 4 channels Free-rate: maximum 8 channels
		Fiber types	MMF(ITU-T G.651 compliant) / SMF(ITU-T G.652 compliant)	
Connector type		LC		
Monitor/Control	Remote control scheme	OSC / FEC Overhead		
	Interface for maintenance	10BASE-T/100BASE-TX(RJ-45), Serial(RJ-11:Dsub-9pin)		
	Management protocol	SNMP, Telnet, CLI		
	Test functions	Loop-back test, WDM transmission test (test signal launched)		
	Housekeeping	HKA/HKC (Dsub-9pin)		
Power		DC-48V (redundancy available)		
Power consumption (Typical)		110W *1	190W *1	
Environmental conditions		Temperature: 0 to 40°C / Humidity :5 to 95% (no condensation)		
Shelf size		H: 44mm x W:430mm x D: 442mm (19 inch rack mounting)	H: 88mm x W:430mm x D: 442mm (19 inch rack mounting)	
Weight		Approx. 9kg (with 4 IF cards)	Approx. 15kg (with 8 IF cards)	
EMI		VCCI Class A		

\*1: Fully equipped with GbE transponders

	<b>Safety Precautions</b>	★Before installing, connection or using this product, be sure to carefully read and observe the cautionary and prohibited matters provided in the instruction manual.
---	---------------------------	---

- The company names and product names given in this catalog are trademarks or registered trademarks of the respective companies.
- The configuration or specifications are subject to change without prior notice due to continual improvements.

### For inquiries, contact :

NEC

URL <http://www.nec-mobilesolutions.com/infrastructures/>