

Switch Modules – RS & QS



RS

The Rocker Switch modules RS1 and RS2 are designed to be installed into front panels, multifunction grips or other switching units.

RS1

This module is standard rocker switch with a single switch function in both directions.

RS2

With the RS2 a double switch function is available in both directions.



QS

The Quadrant Switch modules QS1 and QS2 are designed to be installed into front panels, multifunction grips or other switching units.

QS1

This module is a quad switch similar to a “mirror switch” made of four K12 switches, designed for 4 switching functions (e.g. for movements in four directions: up, down, left and right).

QS2

This module is similar to the QS1 but has a double switch function and is made up with eight K12 switches allowing additional functions in each direction.

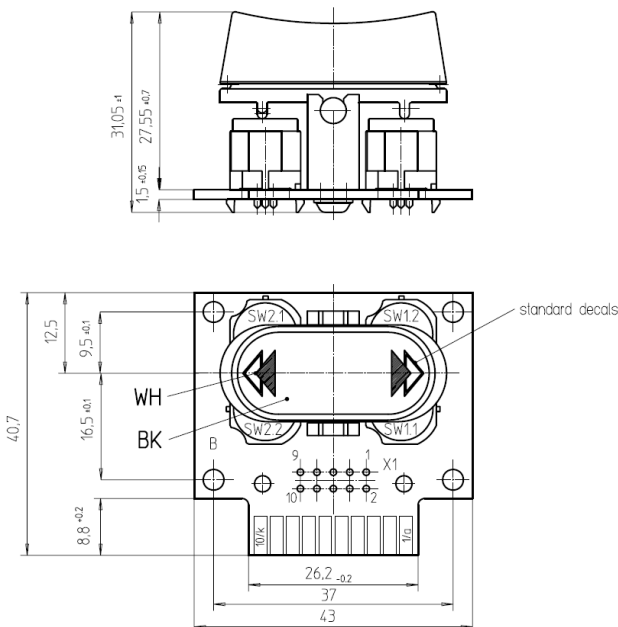
Technical Data		
Types	RS1	two K12 switches, one switching function per direction
	RS2	four K12 switches, two switching functions per direction
	QS1	four K12 switches, one switching function per direction
	QS2	eight K12 switches, two switching functions per direction
Dimensions (length, width, height)	RS	43 x 40.7 x 27.55 mm
	QS	58.9 x 43 x 27.5 mm
Operating life	> 1 million cycles	
Operating temperature		
- Storage	- 40°C to 85°C	
- Working	- 25°C to 85°C	
Protection Level	IP65 (from above when mounted with extra sealing)	
Main features of K12	Tactile feedback, positive snap-point (more technical details see datasheet for K12 switches)	

Ordering code		1	2	3	4	5
Example		RS1	KRSA	BK	S	C
1 Type	Quadrant Switch (QS) Rocker Switch (RS)	↑	↑	↑	↑	↑
	QS 1 = four K12 switches QS 2 = eight K12 switches RS 1 = two K12 switches RS 2 = four K12 switches					
2 Standard cap	KQS1 = for QS KRSA = for RS					
3 Cap colour	BK = black					
4 Cap decals	N = none S = standard decals (arrows)* C... = customized					
5 Module mounted	C = standard mounted					

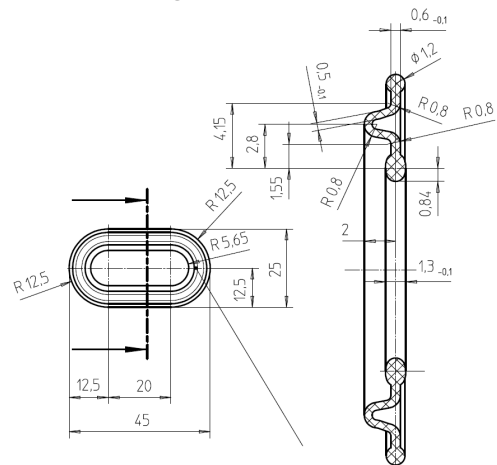
* see drawing below

Rocker Switch

Install dimensions



Sealing

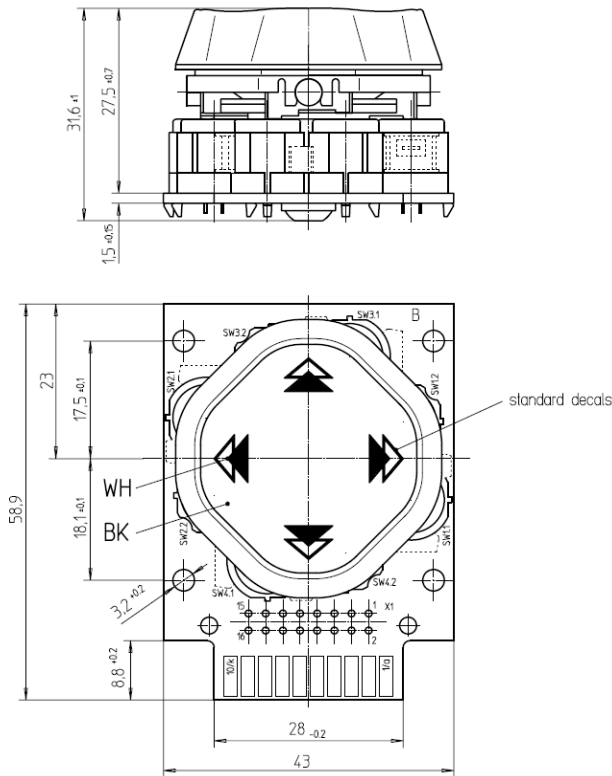


PIN Assignment

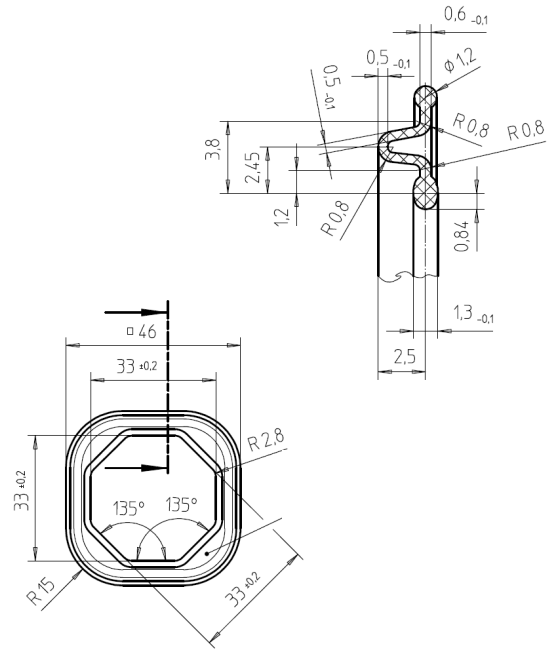
Switch No.	Connector-No.X1		Pad-Bar	
	Input	Output	Input	Output
SW1.1	1	2	1	b
SW1.2	3	4	3	d
SW2.1	7	8	7	8
SW2.2	9	10	h	10

Quadrant Switch

Install dimensions



Sealing



PIN Assignment

Switch Nr.	Connector-No.X1		Pad-Bar	
	Input	Output	Input	Output
SW1.1	2	4	2	3
SW1.2	1	3	b	c
SW2.1	14	16	8	9
SW2.2	13	15	h	i
SW3.1	6	8	4	5
SW3.2	9	11	f	q
SW4.1	10	12	6	7
SW4.2	5	7	d	e

DeltaTech Controls – A CoActive Technologies Company - worldwide Facilities

With sales offices and manufacturing facilities located worldwide, please visit our website at www.deltatechcontrols.com for a complete listing and to find the office nearest to you.

France

2 Boulevard Michael Faraday
Arlington Square, Batiment B
Serris - F77716 Marne La Vallee Cedex 4
France
phone: + 33 160 24 51 51
fax: + 33 3 84 69 08 97
Mail: sales.dtc.europe@coactive-tech.com

Germany

Holzhauser Strasse 26-32
D-13509 Berlin
Germany
phone: + 49 30 43 999 0
fax: + 49 30 43 999 203
Mail: sales.dtc.europe@coactive-tech.com

Hong Kong

Office:1007-8
10/F, Harcourt House
39 Gloucester Road
Wanchai, Hong Kong
phone: + 852 3713 5288
fax: + 852 2751 9926
Mail: sales.dtc.asia@coactive-tech.com

USA

5288 Valley Industrial Blvd. S
Shakopee, MN 55379
USA
phone: + 1 952 403 7400
fax: + 1 952 233 9707
Mail: sales.dtc.americas@coactive-tech.com



No information and data contained in this publication shall be construed to create any liability on the part of DeltaTech Controls GmbH. Any new issue of this publication shall automatically invalidate and supersede any and all previous issues. Dimensions are subject to change without prior notice.

All Copyrights belong to DeltaTech Controls GmbH and CoActive Technologies.
All other trademarks or registered trademarks are property of their respective owners.
All data subject to change without notice. ©2009