

FP Foot Pedal



The FP Foot Pedals from DeltaTech Controls have been developed to provide the reliability required in demanding environmental conditions such as heavy duty industrial applications.

The high mechanical strength of the shaft and the unique sensing design make the pedals ideal for rigorous use in rugged, harsh environments.

The FPs have been designed to accommodate standard and custom designed pedal levers.

The FP family of products consist of a voltage version (VO) and a CAN J1939 (CA).



Main Features

- Contactless sensing – Hall effect
- Life greater than 5 million cycles
- 2 sensors for redundancy
- Optional rubber lever cover
- Optional interfaces (Voltage, CAN)
- Integrated temperature compensation
- Protection Class IP 67

Custom modifications

- Output characteristics
- Operating force
- Lever deflection angle
- Optional rubber lever cover
- Logo on lever cover

Mechanical Data

Life	> 5 million cycles
------	--------------------

Operating temperature	- 30°C to 70°C
-----------------------	----------------

Storage temperature	- 40°C to 85°C
---------------------	----------------

Operating force	see table overleaf
-----------------	--------------------

Load maximum	2000 N
--------------	--------

Protection Level	IP67
------------------	------

Lever deflection (Deflection angle)	15°, 18° or 25°
-------------------------------------	-----------------

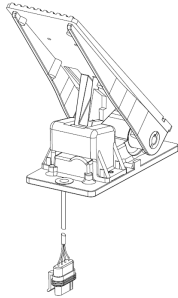
Lever Zero Position (Neutral position)	38° or 45°
--	------------

Housing	Aluminium
---------	-----------

FP Foot Pedal

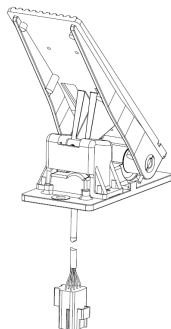


FP CA (CAN)



Electrical Data		
Supply Ratings	Voltage range DC current	9V ... 36V 85mA
	System Voltage	12/24V
CAN Bus Output	J19	SAE J1939
Other electrical Characteristics	EMI	≥ 100V/m
Connection (Interfaces)	To vehicle	Harness 600mm, 4 pin connector (Fa. Tyco superseal)

FP VO (voltage out)



Electrical Data - Voltage out (VO8) -		
Supply Ratings	Voltage range DC current	9V ... 36V* 60 mA at 24V
	System Voltage	12/24V
2 Voltage Outputs	Output 1 Output 2	0.5V ... 4.5 V 4.5V ... 0.5 V
Pull-down resistor Tolerance	Recommondation	10kΩ ± 100mV
Output current		max. 1mA
Other electrical Characteristics	EMI Release signals	≥ 100V/m 2, active at zero position**
Connection (Interfaces)	Standard	Harness 600mm, 8 pin connector (Fa. Tyco econoseal J Mark II+)

* 36V tested for 5 minutes

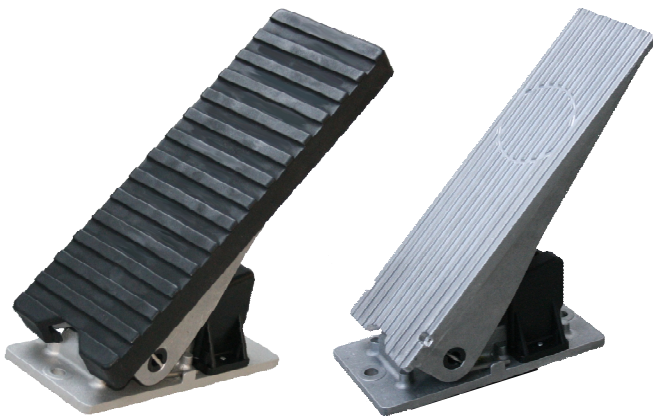
**recommended 20kΩ pullup resistor vs. 5V

Electrical Data - Voltage out (VO5) -		
Supply Ratings	Voltage range DC current	5V ± 5% 25 mA
1 Voltage Output	Output 1	0.5V ... 4.5 V **
Pull-down resistor Tolerance	Recommondation	47kΩ ± 100mV
Output current		max. 1mA
Other electrical Characteristics	EMI Signals	≥ 100V/m 2 release signals * Release 1 : active in zero position (low) Release 2 : active in zero position (high)
Connection (Interfaces)	Standard	Harness 600mm, 8 pin connector (Fa. Tyco econoseal J Mark II+)

* recommended 20kΩ pullup resistor vs. 5V

** ratiometric to supply voltage

FP Foot Pedal



FP with rubber lever cover

FP without rubber lever cover

Operating force

Neutral position		45°			
		Soft Spring		Middle Spring	
Deflection angle		Start	End	Start	End
15°		18 N	24 N	25 N	33 N
18°		18 N	25 N	25 N	35 N
25°		18 N	28 N		

Neutral position		38°	
		Soft Spring	
Deflection angle		Start	End
15°		21 N	27 N
18°		21 N	28 N

Ordering code		1	2	3	4	5	6	7
	Example (standard version)	FP	VO	38	18	S	VO8	SN
1 Type	FP							
2 Function	VO = voltage output CA = CAN							
3 Neutral position*	38° or 45°							
4 Deflection angle*	15°, 18° or 25°							
5 Spring	S = soft spring M = middle spring							
6 Output signals	FP VO VO8 = 0.5 ... 4.5V 4,5 ... 0,5V VO5 = 0.5 ... 4.5V FP CA J19 = J1939							
7 Lever Cover	S = standard without cover R = rubber cover N = no logo C = customized logo							

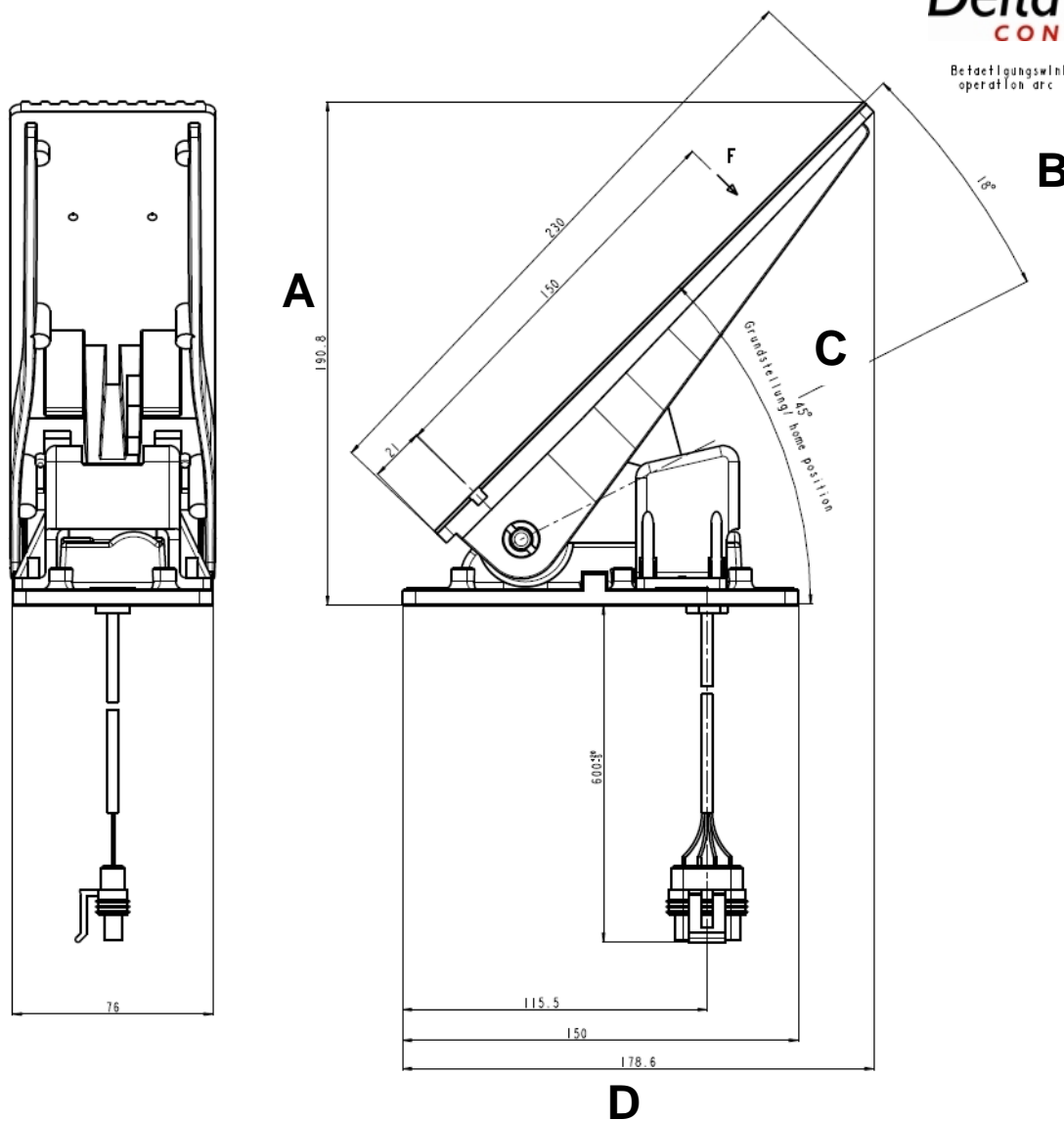
*for 38° neutral position only deflection angle of 15° and 18° available

FP Foot Pedal

FP CA (CAN)



Betaelungswinkel/
operation arc

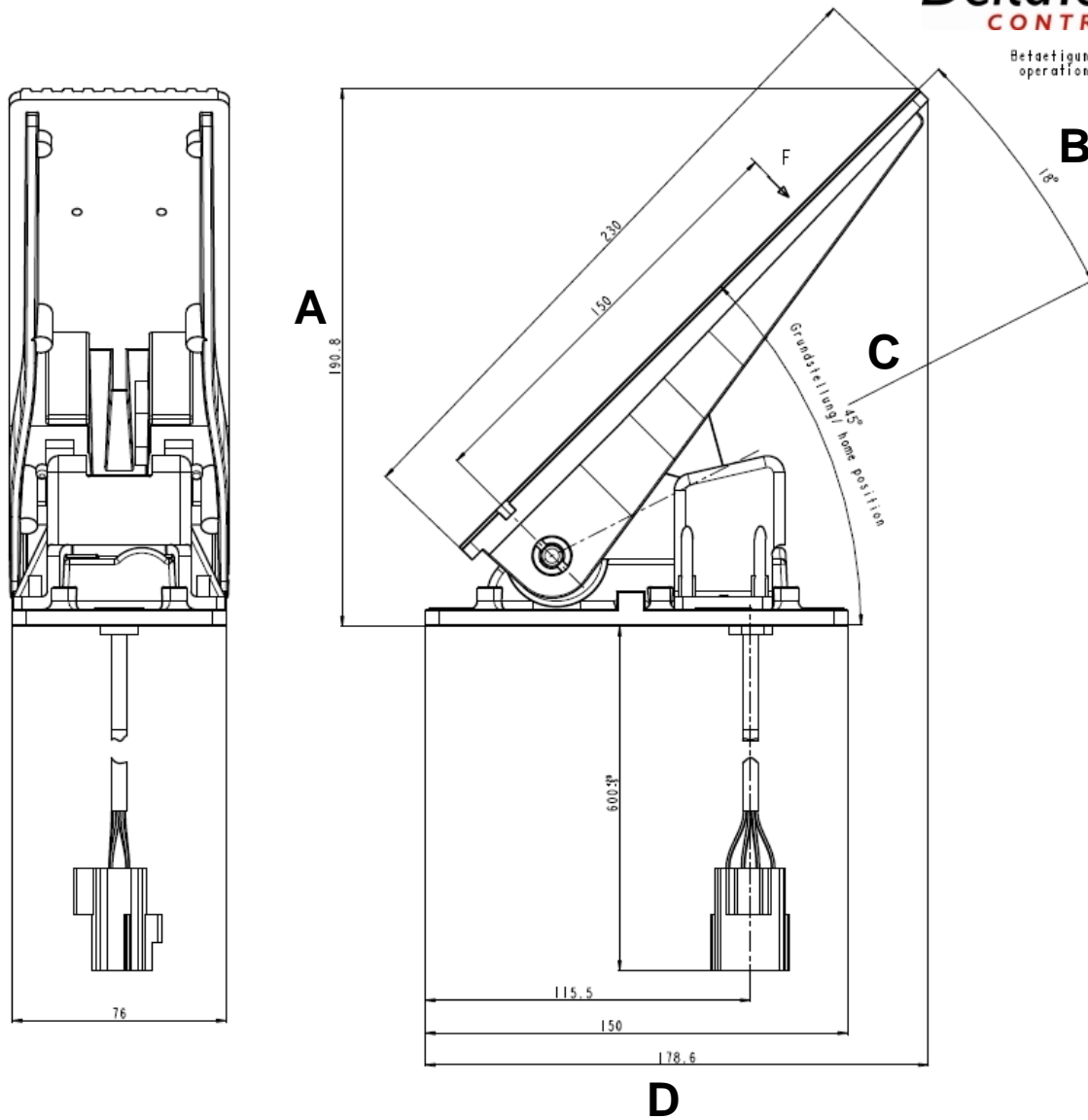


C	B	A	D
Neutral position	Deflection angle	mm	mm
38°	15° / 18°	170	201
45°	15° / 18° / 25°	190	179

PIN	Assignment
1	CAN - High
2	CAN - Low
3	+24 V
4	GND

FP Foot Pedal

FP VO (voltage output)



C	B	A	D
Neutral position	Deflection angle	mm	mm
38°	15° / 18°	170	201
45°	15° / 18° / 25°	190	179

VO5

PIN	Color	Allocation
1	BN	OUT 1
2	RD	DC
3	OG	+5V K1
4	YE	GND K1
5	GN	release signal 1
6	BU	release signal 2
7	VT	+5V K2
8	GY	GND K2

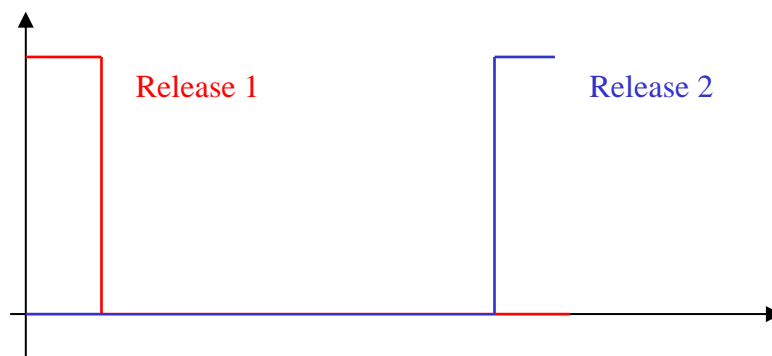
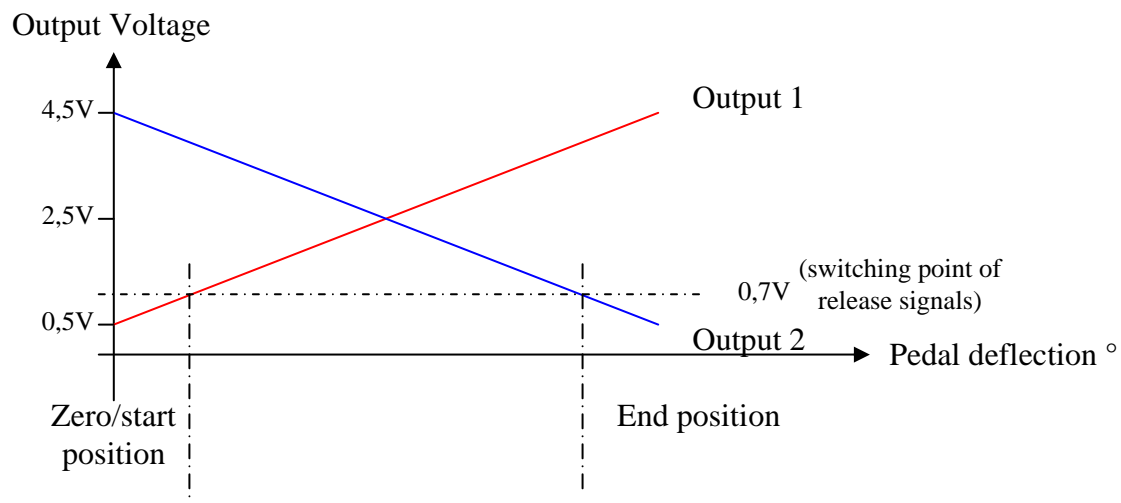
VO8

MOD IV Female Connector PIN	Color	Econoseal Male Connector PIN	Allocation
1	BN	1	OUT 1
2	RD	2	DC
3	WH	3	UBAT
4	YE	4	GND
5	GN	5	OUT 2
6	BU	6	DC
7	PK	7	Frei 2
8	GY	8	Frei 1

FP Foot Pedal



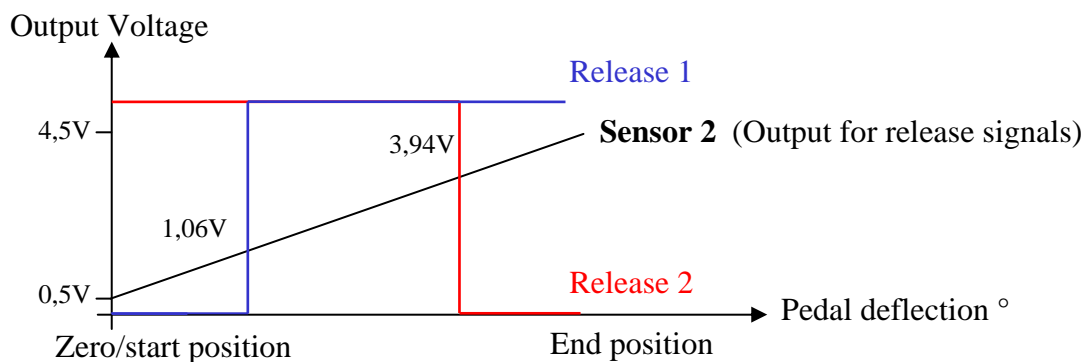
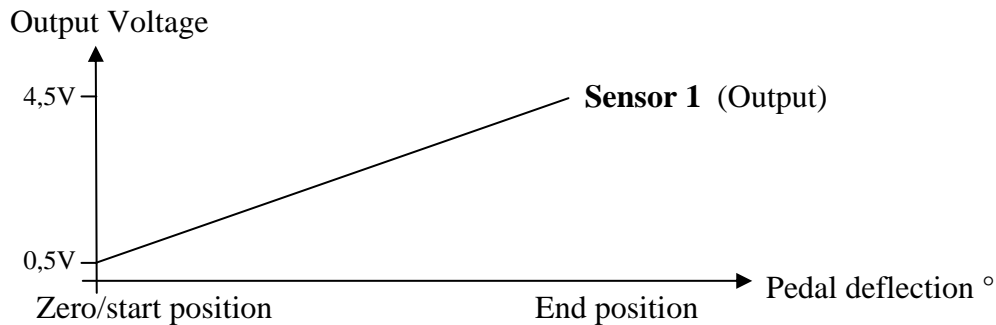
Output switch signal FP VO (VO8)



FP Foot Pedal



Output switch signal FP VO (VO5)



Servicing FP Foot Pedals

Because of the typically aggressive environment in which DeltaTech Controls foot pedals are used, it is recommended that they should be regularly serviced to ensure a continued optimal performance.

In some circumstances it can happen that while cleaning (using power sprays for example) that grease within the springs of the foot pedal can become dislodged. Whereas this does not affect the operation of the foot pedal, to maintain optimal performance for the operator, DeltaTech Controls recommends the following service plan:

After the first year and then every three years thereafter grease should be applied externally at the location of the springs, preferably using a fat spray and then the pedal operated several times to draw the grease into the spring coils.

FP Foot Pedal



DeltaTech Controls – A CoActive Technologies Company - **worldwide Facilities**
With sales offices and manufacturing facilities located worldwide, please visit our website at www.deltatechcontrols.com for a complete listing and to find the office nearest to you.

Germany

Headquarter

Holzhauser Strasse 26-32

D-13509 Berlin

Germany

phone: + 49 30 43 999 0

fax: + 49 30 43 999 203

Mail: sales.dtc.europe@coactive-tech.com

France

2 Boulevard Michaël Faraday

Arlington Square, Bâtiment B

Serris – F 77716 Marne-La Vallée Cedex 4

France

phone: + 33 160 24 51 51

fax: + 33 3 84 69 08 97

Mail: sales.dtc.europe@coactive-tech.com

USA

5288 Valley Industrial Blvd. S

Shakopee, MN 55379

USA

phone: + 1 952 403 7400

fax: + 1 952 233 9707

Mail: sales.dtc.americas@coactive-tech.com

Japan

9F, Ariake Frontier Building B

3-1-25 Ariake, Koto-ku, Tokyo 135-0063

Japan

phone: + 81 3 5530 9365

fax: + 81 3 5530 8737

Mail: sales.dtc.asia@coactive-tech.com

China

3rd F. North Building

No. 239 Gangao Rd.

W.G.Q.FTZ. Pudong

Shanghai. 200131

China

phone: + 86 13810247876

fax: +86 21 3393 8281

Mail: sales.dtc.asia@coactive-tech.com

Korea

Room #503, TaeSung Building,

265-5, SeoHyun - Dong, PuDang - Gu,

SeonNam - Si, GyeonGi - Do,

Korea 463-050

phone: + 82 32 704 0347

fax: + 82 32 704 0348

Mail: sales.dtc.asia@coactive-tech.com

No information and data contained in this publication shall be construed to create any liability on the part of DeltaTech Controls GmbH. Any new issue of this publication shall automatically invalidate and supersede any and all previous issues. Dimensions are subject to change without prior notice.

All Copyrights belong to DeltaTech Controls GmbH and CoActive Technologies.
All other trademarks or registered trademarks are property of their respective owners.
All data subject to change without notice. ©2010