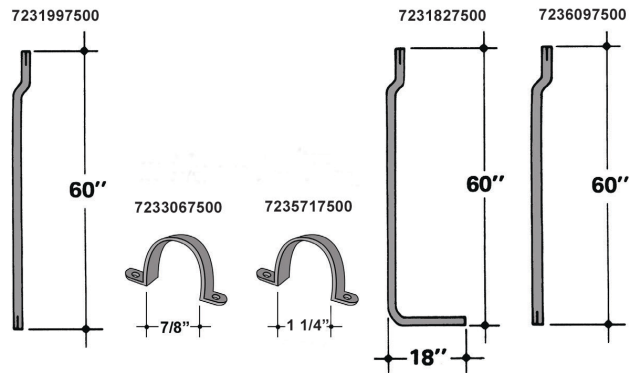


PREMIER® House Risers



Features

- » RUS approved
- » Lightweight gray PVC
- » Clamps included

House Risers

Item Number	Mfg. Part #	Description	Height (Ft)	Clamp Pkg	Product Pkg pcs/ctn	I.D. (inches)	O.D. (inches)
7231997500	HR-78-5-Offset	PREMIER Riser, 7/8" OD x 5' in Length, 7/8" Offset at one end, straight at other end with notch on both ends	5	2 clamps attached to risers w/ tape	60	0.696	0.84
7236097500	HR-125-5-LARGE	PREMIER Riser, 1 1/4" OD x 5' in Length, 7/8" Offset at one end, with notch at both ends	5	2 clamps attached to risers w/ tape	60	1.106	1.25
7231827500	HR-78-5-L-Bend	PREMIER Riser, 7/8" OD x 5' in Length, with 7/8" Offset & notch at one end and 90° L-Bend with 18" long leg without notch at other end	5	2 clamps attached to risers w/ tape	60	0.696	0.84
7233067500	HR-78-CLAMP	Clamp to fit 7/8" PREMIER Riser	N/A	Bulk	100		
7235717500	HR-125-CLAMP	Clamp to fit 1 1/4" PREMIER Riser	N/A	Bulk	100		

600 New Century Parkway
New Century, Kansas 66031-8000
1.800.755.1950

www.kgplogistics.com