



# 1 AMP HIGH RELIABILITY FAST RECOVERY DIODES

## FEATURES

- PROPRIETARY **SOFT GLASS®** JUNCTION PASSIVATION FOR SUPERIOR RELIABILITY AND PERFORMANCE
- VOID FREE VACUUM DIE SOLDERING FOR MAXIMUM MECHANICAL STRENGTH AND HEAT DISSIPATION (Solder Voids: Typical  $\leq 2\%$ , Max.  $\leq 10\%$  of Die Area)
- EXTREMELY LOW LEAKAGE AT HIGH TEMPERATURES
- LOW FORWARD VOLTAGE DROP
- 1A at  $T_A = 75^\circ\text{C}$  WITH NO THERMAL RUNAWAY

## MECHANICAL DATA

- Case: JEDEC DO-41, molded epoxy (U/L Flammability Rating 94V-0)
- Terminals: Plated axial leads
- Soldering: Per MIL-STD 202E Method 208 guaranteed
- Polarity: Color band denotes cathode
- Mounting Position: Any
- Weight: 0.012 Ounces (0.34 Grams)

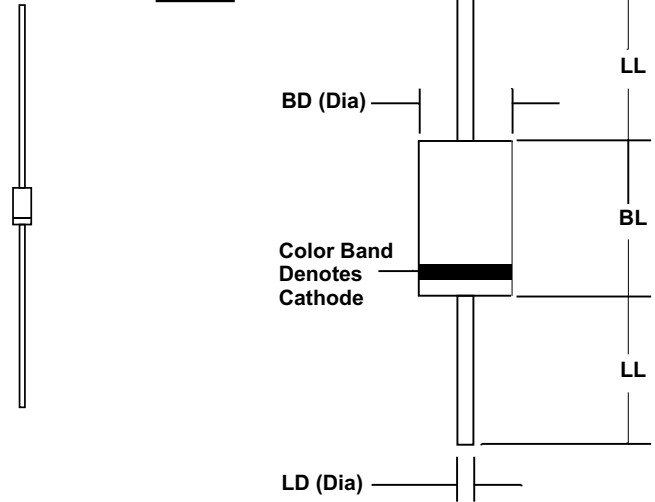
**RoHS COMPLIANT**

## MECHANICAL SPECIFICATION

ACTUAL SIZE OF DO-41 PACKAGE

SERIES RGP100 - RGP110

DO - 41



Sym	Minimum		Maximum	
	In	mm	In	mm
BL	0.160	4.1	0.205	5.2
BD	0.103	2.6	0.107	2.7
LL	1.00	25.4		
LD	0.028	0.71	0.034	0.86

## MAXIMUM RATINGS & ELECTRICAL CHARACTERISTICS

Ratings at  $25^\circ\text{C}$  ambient temperature unless otherwise specified.  
 Single phase, half wave, 60Hz, resistive or inductive load.  
 For capacitive loads, derate current by 20%.

PARAMETER (TEST CONDITIONS)	SYMBOL	RATINGS							UNITS
		RGP 100	RGP 101	RGP 102	RGP 104	RGP 106	RGP 108	RGP 110	
Series Number									
Maximum DC Blocking Voltage	$V_{RM}$	50	100	200	400	600	800	1000	VOLTS
Maximum RMS Voltage	$V_{RMS}$	35	70	140	280	420	560	700	
Maximum Peak Recurrent Reverse Voltage	$V_{RRM}$	50	100	200	400	600	800	1000	
Average Forward Rectified Current @ $T_A = 75^\circ\text{C}$ , Lead length = 0.375 in. (9.5 mm)	$I_o$	1							AMPS
Peak Forward Surge Current ( 8.3 mSec single half sine wave superimposed on rated load)	$I_{FSM}$	50							
Maximum Forward Voltage at 1 Amp DC	$V_{FM}$	1.2							VOLTS
Maximum Reverse Recovery Time ( $I_F=0.5A$ , $I_R=1A$ , $I_{RR}=0.25A$ )	$T_{RR}$	150			250	500 (Note 3)			nS
Maximum Average DC Reverse Current At Rated DC Blocking Voltage	$I_{RM}$	0.5 25							$\mu\text{A}$
Typical Thermal Resistance, Junction to Ambient (Note 1)	$R_{\theta JA}$	55							$^\circ\text{C/W}$
Typical Junction Capacitance (Note 2)	$C_J$	15							pF
Operating and Storage Temperature Range	$T_J, T_{STG}$	-65 to +175							$^\circ\text{C}$

NOTES: (1) Lead length = 0.375 in. (9.5 mm)  
 (2) Measured at 1MHz & applied reverse voltage of 4 volts  
 (3) 300nS available - consult factory

4.3715p0100



# 1 AMP HIGH RELIABILITY FAST RECOVERY DIODES

## RATING & CHARACTERISTIC CURVES FOR SERIES RGP100 - RGP110

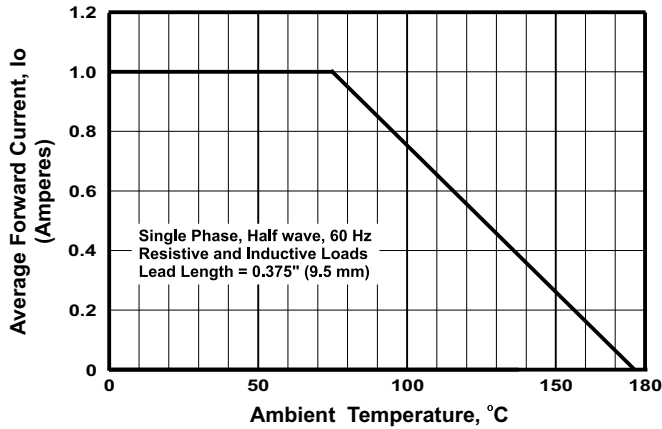


FIGURE 1. FORWARD CURRENT DERATING CURVE

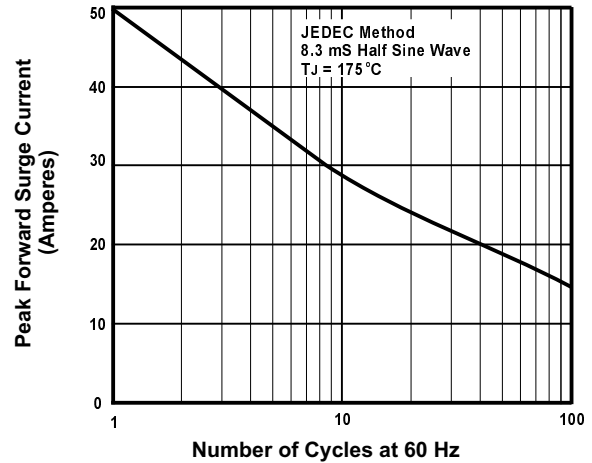


FIGURE 2. MAXIMUM NON-REPETITIVE SURGE CURRENT

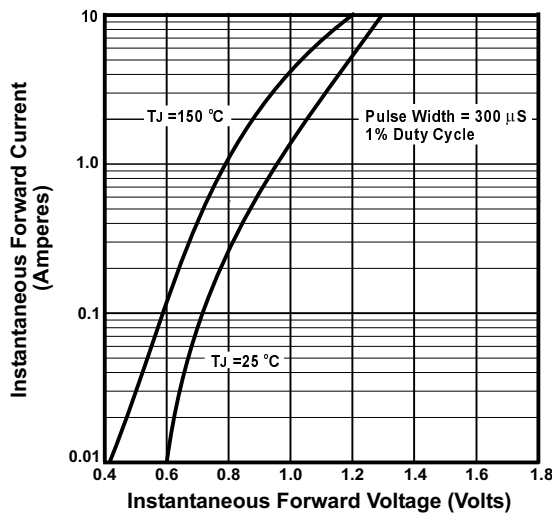


FIGURE 3. TYPICAL FORWARD CHARACTERISTIC

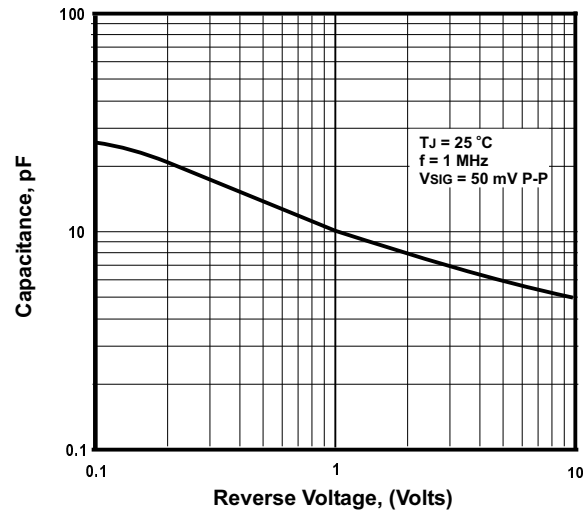


FIGURE 4. TYPICAL JUNCTION CAPACITANCE

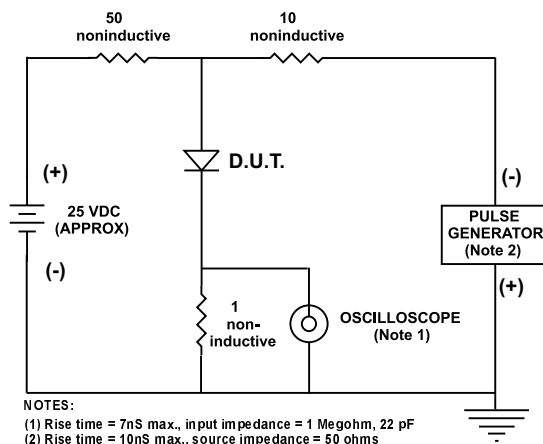


FIGURE 5. REVERSE RECOVERY TEST SETUP AND TIME CHARACTERISTIC