

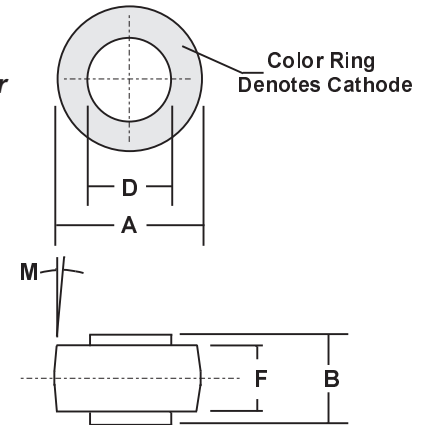
75 AMP BUTTON DIODES

Features

- Void Free Vacuum Die Soldering For Maximum Mechanical Strength and Heat Dissipation (Solder Voids: Typical $\leq 2\%$, Max. $\leq 10\%$ of Die Area)
- Unique Round Die (1/4" Dia.) For Highest Current And Power Handling Capability in Existing Standard Molded Button Package
- High Temperature Solder (Solidus 287°C, Liquidus 296°C) to Allow Higher Operating And Assembly Temperatures
- Copper Headers Are Silver Plated For Easy Soldering And Superior Solder Joints

Mechanical Specification

Die Size:
 0.250" Diameter
 Round



Mechanical Data

- Case: Molded Epoxy (UL Flammability Rating 94V-0)
- Finish: All Metal Surfaces Are Silver Plated
- Soldering Temperature: 250 °C maximum
- Mounting Position: Any
- Polarity: Color band denotes cathode
- Weight: 0.6 Ounces (1.8 Grams)

RoHS COMPLIANT

Dim	Millimeters		Inches	
	Min	Max	Min	Max
A	9.78	10.29	0.385	0.405
B	5.97	6.35	0.235	0.250
D	5.46	5.71	0.215	0.225
F	4.19	4.45	0.165	0.175
M	5° NOM		5° NOM	

Maximum Ratings & Electrical Characteristics

Ratings at 25 °C ambient temperature unless otherwise specified.

Parameter (Test Conditions)	Symbol	Ratings							Units
		BAR 7500	BAR 7501	BAR 7502	BAR 7504	BAR 7506	BAR 7508	BAR 7510	
Series Number									
Maximum DC Blocking Voltage	VRRM								Volts
Maximum RMS Voltage	VRWM	50	100	200	400	600	800	1000	
Maximum Peak Recurrent Reverse Voltage	V _{DC}								
Non-repetitive Peak Reverse Voltage (Half wave, single phase, 60 Hz peak)	VRSM	60	120	240	480	720	960	1200	
Average Forward Rectified Current @ T _c =150 °C	I _O	75							Amps
Peak Forward Surge Current (8.3ms single half sine wave superimposed on rated load)	I _{FSM}	800							
Maximum Forward Voltage Drop at 75 Amp DC	V _{FM}	1.1 (Typical 1.05)					1.15		Volts
Maximum Average DC Reverse Current @ T _A = 25 °C At Rated DC Blocking Voltage @ T _A = 100 °C	I _{RM}	1 50							µA
Maximum Thermal Resistance, Junction to Case (Note 1)	R _{θJC}	0.8							°C/W
Junction Operating and Storage Temperature Range	T _J , T _{STG}	-65 to +175							°C

Notes: 1) Single Side Cooled