



# Type DVPR Single-Ended Tubular Capacitors

## 105°C High Performance



Type DVPR is designed for use in high frequency switching regulators where low impedance and low inductance are required. Low loss, high frequency characteristics make this capacitor ideal in bypass and coupling applications in data processing equipment.

The A and C lead configurations are standard distributor items. B, J, and T configurations are available on special request. See last page for further details. Supplied with mylar insulation sleeve..

**Operating Temperature:**

-40°C to +85°C

**Voltage Range:**

6WVDC to 450WVDC

**Capacitance Range:**

5µF to 10,000µF

**Capacitance Tolerance:**

6 to 75WVDC	-10% to +75%
>75WVDC	-10% to +50%

**Ripple:**

The maximum ripple current at 85°C and 120Hz for SKA capacitors is shown in the Standard Rating Table. Maximum Ripple current may be adjusted by the multipliers in the following tables:

**DC Leakage Current (5 mins):**

$$I = 2\sqrt{CV}$$

Not to exceed 2mA @ 25°C

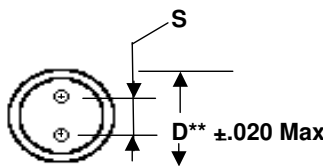
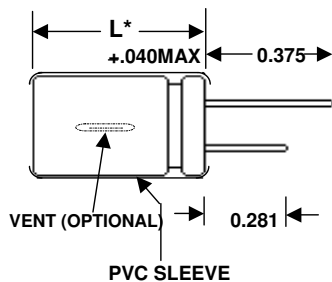
C = Capacitance in µF

V = Rated Voltage

I = Leakage Current in µA

**QA Stability Test:**

- Apply WVDC for 1,000 hours at 85°C
- Capacitance change ≤ 15% from initial limits
- DC leakage current meets initial limits
- ESR ≤ 150% of initial measured value



\* WHEN DIAMETER .750 & GREATER TOLERANCE IS +.062-  
 \*\* WHEN DIAMETER .750 & GREATER TOLERANCE IS +.015-



Capacitance ( $\mu\text{F}$ )	Size (inches)	Max ESR (Ohms) @ 25°C, 10kHz	Max Ripple (Amps) @ 85°C, 10kHz	Part Description
----------------------------------	---------------	---------------------------------	------------------------------------	------------------

<b>6.3 WVDC; 8 VDC SURGE</b>				
------------------------------	--	--	--	--

880	1/2 X 1	0.121	1.43	DVPR881U6R3E1A
1300	1/2 X 1-1/4	0.084	1.87	DVPR132U6R3E1E
2900	3/4 X 1-5/8	0.050	3.46	DVPR292U6R3J1L
4100	7/8 X 1-5/8	0.038	4.32	DVPR412U6R3L1L
4600	3/4 X 2-1/8	0.035	4.67	DVPR462U6R3J2C
5600	1 X 1-5/8	0.030	5.24	DVPR562U6R3N1L
5700	3/4 X 2-5/8	0.030	5.56	DVPR572U6R3J2L
6500	7/8 X 2-1/8	0.027	5.78	DVPR652U6R3L2C
7200	3/4 X 3-1/8	0.026	6.48	DVPR722U6R3J3C
8600	7/8 X 2-5/8	0.023	6.90	DVPR862U6R3L2L
8800	1 X 2-1/8	0.023	6.74	DVPR882U6R3N2C
10000	7/8 X 3-1/8	0.021	7.83	DVPR103U6R3L3C
12000	1 X 2-5/8	0.019	8.16	DVPR123U6R3N2L
15000	1 X 3-1/8	0.017	9.34	DVPR153U6R3N3C
18000	1 X 3-5/8	0.016	10.32	DVPR183U6R3N3L

<b>7 WVDC; 9 VDC SURGE</b>				
----------------------------	--	--	--	--

780	1/2 X 1	0.117	1.45	DVPR781U7R5E1A
1100	1/2 X 1-1/4	0.084	1.87	DVPR112U7R5E1E
1700	1/2 X 1-5/8	0.057	2.59	DVPR172U7R5E1L
2600	3/4 X 1-5/8	0.047	3.57	DVPR262U7R5J1L
3700	7/8 X 1-5/8	0.035	4.50	DVPR372U7R5L1L
4000	3/4 X 2-1/8	0.033	4.81	DVPR402U7R5J2C
4900	1 X 1-5/8	0.029	5.33	DVPR492U7R5N1L
5100	3/4 X 2-5/8	0.028	5.76	DVPR512U7R5J2L
5800	7/8 X 2-1/8	0.025	6.00	DVPR582U7R5L2C
6400	3/4 X 3-1/8	0.024	6.75	DVPR642U7R5J3C
7600	7/8 X 2-5/8	0.021	7.22	DVPR762U7R5L2L
7800	1 X 2-1/8	0.021	7.05	DVPR782U7R5N2C
9700	7/8 X 3-1/8	0.018	8.45	DVPR972U7R5L3C
10000	1 X 2-5/8	0.018	8.38	DVPR103U7R5N2L
13000	1 X 3-1/8	0.016	9.63	DVPR133U7R5N3C
16000	1 X 3-5/8	0.014	11.03	DVPR163U7R5N3L

Capacitance ( $\mu$ F)	Size (inches)	Max ESR (Ohms) @ 25°C, 10kHz	Max Ripple (Amps) @ 85°C, 10kHz	Part Description
---------------------------	---------------	---------------------------------	------------------------------------	------------------

<b>10 WVDC; 12 VDC SURGE</b>				
------------------------------	--	--	--	--

660	1/2 X 1	0.115	1.47	DVPR661U010E1A
990	1/2 X 1-1/4	0.076	1.97	DVPR991U010E1E
1400	1/2 X 1-5/8	0.056	2.61	DVPR142U010E1L
2100	3/4 X 1-5/8	0.047	3.57	DVPR212U010J1L
3100	7/8 X 1-5/8	0.034	4.57	DVPR312U010L1L
3400	3/4 X 2-1/8	0.031	4.96	DVPR342U010J2C
4200	1 X 1-5/8	0.027	5.53	DVPR422U010N1L
4300	3/4 X 2-5/8	0.026	5.97	DVPR432U010J2L
4900	7/8 X 2-1/8	0.024	6.13	DVPR492U010L2C
5400	3/4 X 3-1/8	0.022	7.05	DVPR542U010J3C
6400	7/8 X 2-5/8	0.020	7.40	DVPR642U010L2L
6600	1 X 2-1/8	0.019	7.41	DVPR662U010N2C
8200	7/8 X 3-1/8	0.017	8.70	DVPR822U010L3C
9000	1 X 2-5/8	0.016	8.89	DVPR902U010N2L
11000	1 X 3-1/8	0.014	10.30	DVPR113U010N3C
13000	1 X 3-5/8	0.013	11.45	DVPR133U010N3L

<b>12 WVDC; 15 VDC SURGE</b>				
------------------------------	--	--	--	--

560	1/2 X 1	0.116	1.46	DVPR561U012E1A
1200	1/2 X 1-5/8	0.055	2.64	DVPR122U012E1L
1500	7/8 X 1-1/8	0.054	3.09	DVPR152U012L1C
1800	3/4 X 1-5/8	0.046	3.60	DVPR182U012J1L
2600	7/8 X 1-5/8	0.033	4.64	DVPR262U012L1L
2900	3/4 X 2-1/8	0.030	5.04	DVPR292U012J2C
3600	3/4 X 2-5/8	0.026	5.97	DVPR362U012J2L
3600	1 X 1-5/8	0.026	5.63	DVPR362U012N1L
4200	7/8 X 2-1/8	0.023	6.26	DVPR422U012L2C
4600	3/4 X 3-1/8	0.021	7.21	DVPR462U012J3C
5500	7/8 X 2-5/8	0.019	7.59	DVPR552U012L2L
5600	1 X 2-1/8	0.018	7.67	DVPR562U012N2C
7000	7/8 X 3-1/8	0.016	8.97	DVPR702U012L3C
7700	1 X 2-5/8	0.015	9.18	DVPR772U012N2L
8500	7/8 X 3-5/8	0.014	10.28	DVPR852U012L3L
9800	1 X 3-1/8	0.013	10.68	DVPR982U012N3C
11000	1 X 3-5/8	0.012	11.92	DVPR113U012N3L

Capacitance ( $\mu$ F)	Size (inches)	Max ESR (Ohms) @ 25°C, 10kHz	Max Ripple (Amps) @ 85°C, 10kHz	Part Description
<b>16 WVDC; 20 VDC SURGE</b>				
500	1/2 X 1	0.110	1.50	DVPR501U016E1A
1600	3/4 X 1-5/8	0.043	3.73	DVPR162U016J1L
2300	7/8 X 1-5/8	0.031	4.78	DVPR232U016L1L
2600	3/4 X 2-1/8	0.028	5.22	DVPR262U016J2C
3200	3/4 X 2-5/8	0.024	6.22	DVPR322U016J2L
3200	1 X 1-5/8	0.024	5.86	DVPR322U016N1L
3700	7/8 X 2-1/8	0.021	6.55	DVPR372U016L2C
4100	3/4 X 3-1/8	0.020	7.39	DVPR412U016J3C
4900	7/8 X 2-5/8	0.017	8.02	DVPR492U016L2L
5000	1 X 2-1/8	0.017	7.84	DVPR502U016N2C
6200	7/8 X 3-1/8	0.015	9.26	DVPR622U016L3C
6900	1 X 2-5/8	0.014	9.50	DVPR692U016N2L
8700	1 X 3-1/8	0.012	11.12	DVPR872U016N3C
10000	1 X 3-5/8	0.011	12.45	DVPR103U016N3L

<b>25 WVDC; 30 VDC SURGE</b>				
640	1/2 X 1-5/8	0.067	2.39	DVPR641U025E1L
940	3/4 X 1-5/8	0.054	3.33	DVPR941U025J1L
1300	7/8 X 1-5/8	0.040	4.21	DVPR132U025L1L
1400	3/4 X 2-1/8	0.038	4.48	DVPR142U025J2C
1800	3/4 X 2-5/8	0.030	5.56	DVPR182U025J2L
1800	1 X 1-5/8	0.030	5.24	DVPR182U025N1L
2100	7/8 X 2-1/8	0.026	5.89	DVPR212U025L2C
2300	3/4 X 3-1/8	0.024	6.75	DVPR232U025232
2800	7/8 X 2-5/8	0.021	7.22	DVPR282U025L2L
2800	1 X 2-1/8	0.021	7.05	DVPR282U025N2C
3500	7/8 X 3-1/8	0.017	8.70	DVPR352U025L3C
3900	1 X 2-5/8	0.016	8.89	DVPR392U025N2L
4900	1 X 3-1/8	0.013	10.68	DVPR492U025N3C

Capacitance ( $\mu$ F)	Size (inches)	Max ESR (Ohms) @ 25°C, 10kHz	Max Ripple (Amps) @ 85°C, 10kHz	Part Description
---------------------------	---------------	---------------------------------	------------------------------------	------------------

<b>40 WVDC; 50 VDC SURGE</b>				
------------------------------	--	--	--	--

160	1/2 X 1	0.171	1.20	DVPR161U040E1A
240	1/2 X 1-1/4	0.114	1.61	DVPR241U040E1E
360	1/2 X 1-5/8	0.091	2.05	DVPR361U04031L
540	3/4 X 1-5/8	0.061	3.13	DVPR541U040J1L
760	7/8 X 1-5/8	0.043	4.06	DVPR761U040L1L
850	3/4 X 2-1/8	0.038	4.48	DVPR851U040J2C
1000	1 X 1-5/8	0.033	5.00	DVPR102U040N1L
1100	3/4 X 2-5/8	0.030	5.56	DVPR112U040J2L
1200	7/8 X 2-1/8	0.028	5.67	DVPR122U040L2C
1300	3/4 X 3-1/8	0.026	6.48	DVPR132U040J3C
1600	7/8 X 2-5/8	0.021	7.22	DVPR162U040L2L
1600	1 X 2-1/8	0.021	7.05	DVPR162U040N2C
2000	7/8 X 3-1/8	0.018	8.45	DVPR202U040L3C
2200	1 X 2-5/8	0.016	8.89	DVPR222U040N2L
2800	1 X 3-1/8	0.013	10.68	DVPR282U040N3C
3300	1 X 3-5/8	0.012	11.92	DVPR332U040N3L

<b>50 WVDC; 65 VDC SURGE</b>				
------------------------------	--	--	--	--

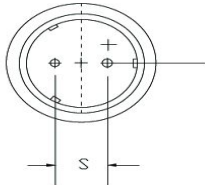
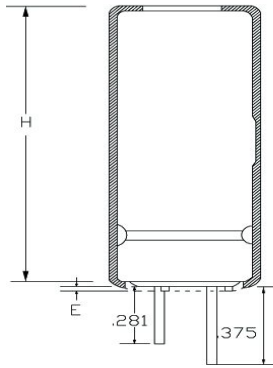
110	1/2 X 1	0.317	0.88	DVPR111U050E1A
160	1/2 X 1-1/4	0.218	1.16	DVPR161U050E1E
250	1/2 X 1-5/8	0.139	1.66	DVPR251U050E1L
420	3/4 X 1-5/8	0.056	2.92	DVPR421U050J1L
600	7/8 X 1-5/8	0.039	3.81	DVPR601U050L1L
630	3/4 X 2-1/8	0.037	4.04	DVPR631U050J2C
810	1 X 1-5/8	0.029	4.77	DVPR811U050N1L
840	3/4 X 2-5/8	0.028	5.15	DVPR841U050J2L
900	7/8 X 2-1/8	0.026	5.26	DVPR901U050L2C
960	3/4 X 3-1/8	0.024	5.97	DVPR961U050J3C
1200	7/8 X 2-5/8	0.020	6.68	DVPR122U050L2L
1200	1 X 2-1/8	0.020	6.53	DVPR122U050N2C
1400	7/8 X 3-1/8	0.017	7.83	DVPR142U050L3C
1600	1 X 2-5/8	0.015	8.30	DVPR162U050N2L
2000	1 X 3-1/8	0.012	10.05	DVPR202U050N3C
2400	1 X 3-5/8	0.010	11.80	DVPR242U050N3L

Capacitance ( $\mu$ F)	Size (inches)	Max ESR (Ohms) @ 25°C, 10kHz	Max Ripple (Amps) @ 85°C, 10kHz	Part Description
<b>100 WVDC; 125 VDC SURGE</b>				
62	1/2 X 1	0.489	0.71	DVPR620U075E1A
93	1/2 X 1-1/4	0.326	0.90	DVPR930U075E1E
140	1/2 X 1-5/8	0.216	1.33	DVPR141U075E1L
230	3/4 X 1-5/8	0.102	2.16	DVPR231U075J1L
330	7/8 X 1-5/8	0.071	2.82	DVPR331U075L1L
350	3/4 X 2-1/8	0.067	3.01	DVPR351U075J2C
450	1 X 1-5/8	0.052	3.55	DVPR451U075N1L
470	3/4 X 2-5/8	0.050	3.85	DVPR471U075J2L
500	7/8 X 2-1/8	0.047	3.92	DVPR501U075L2C
540	3/4 X 3-1/8	0.044	4.48	DVPR541U075J3C
670	7/8 X 2-5/8	0.035	4.99	DVPR671U075L2L
680	1 X 2-1/8	0.035	4.92	DVPR681U075N2C
810	7/8 X 3-1/8	0.029	5.96	DVPR811U075L3C
900	1 X 2-5/8	0.026	6.22	DVPR901U075N2L
1100	1 X 3-1/8	0.021	7.45	DVPR112U075N3C
1300	1 X 3-5/8	0.018	8.68	DVPR132U075N3L
34	1/2 X 1	0.865	0.53	DVPR340U100E1A
52	1/2 X 1-1/4	0.565	0.73	DVPR520U100E1E
78	1/2 X 1-5/8	0.377	1.01	DVPR780U100E1L
130	3/4 X 1-5/8	0.226	1.63	DVPR131U100J1L
180	7/8 X 1-5/8	0.163	2.08	DVPR181U100L1L
190	3/4 X 2-1/8	0.155	2.22	DVPR191U100J2C
250	1 X 1-5/8	0.117	2.65	DVPR251U100N1L
260	3/4 X 2-5/8	0.113	2.86	DVPR261U100J2L
280	7/8 X 2-1/8	0.105	2.93	DVPR281U100L2C
300	3/4 X 3-1/8	0.098	3.34	DVPR301U100J3C
360	3/4 X 3-5/8	0.082	3.92	DVPR361U100J3L
370	7/8 X 2-5/8	0.079	3.71	DVPR371U100L2L
380	1 X 2-1/8	0.077	3.67	DVPR381U100N2C
450	7/8 X 2-1/8	0.065	4.44	DVPR451U100L3C
500	1 X 2-5/8	0.059	4.64	DVPR501U100N2L
540	7/8 X 3-5/8	0.054	5.21	DVPR541U100L3L
630	1 X 3-1/8	0.047	5.64	DVPR631U100N3C

# Lead Configurations

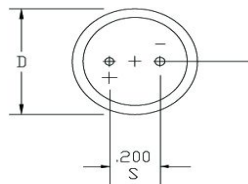
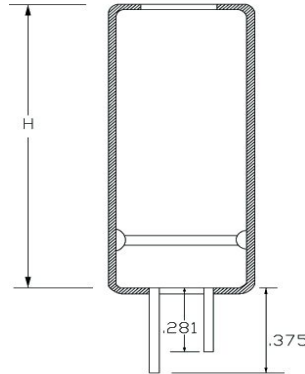
**Figure A (Standard)**

<3/4", 7/8", 1"DIA>



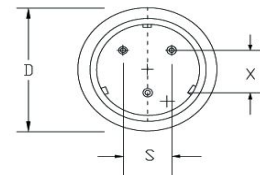
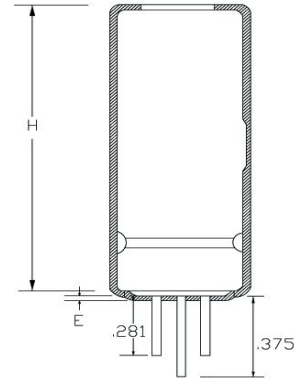
**Figure C (Standard)**

<1/2"DIA ONLY>



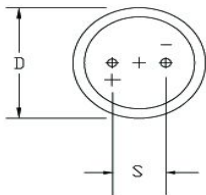
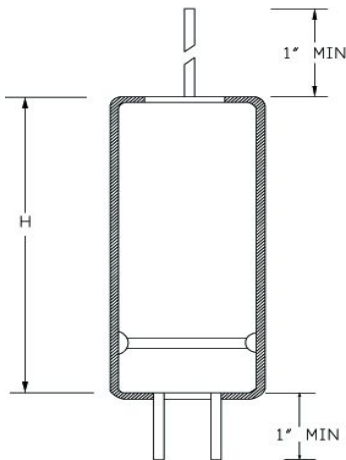
**Figure B (Special)**

<3/4", 7/8", 1"DIA>



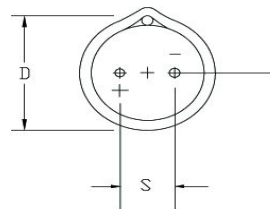
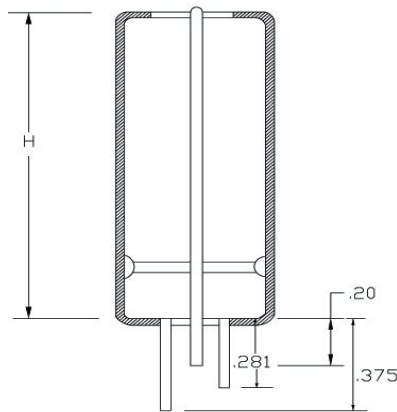
**Figure J (Special)**

<1/2", 3/4", 7/8", 1"DIA>



**Figure T (Special)**

<1/2", 3/4", 7/8", 1"DIA ONLY>





Capacitance ( $\mu$ F)	Size (inches)	Max ESR (Ohms) @ 25°C, 10kHz	Max Ripple (Amps) @ 85°C, 10kHz	Part Description
---------------------------	---------------	---------------------------------	------------------------------------	------------------

<b>6.3 WVDC; 8 VDC SURGE</b>				
------------------------------	--	--	--	--

880	1/2 X 1	0.121	1.43	DVPR881U6R3E1A
1300	1/2 X 1-1/4	0.084	1.87	DVPR132U6R3E1E
2900	3/4 X 1-5/8	0.050	3.46	DVPR292U6R3J1L
4100	7/8 X 1-5/8	0.038	4.32	DVPR412U6R3L1L
4600	3/4 X 2-1/8	0.035	4.67	DVPR462U6R3J2C
5600	1 X 1-5/8	0.030	5.24	DVPR562U6R3N1L
5700	3/4 X 2-5/8	0.030	5.56	DVPR572U6R3J2L
6500	7/8 X 2-1/8	0.027	5.78	DVPR652U6R3L2C
7200	3/4 X 3-1/8	0.026	6.48	DVPR722U6R3J3C
8600	7/8 X 2-5/8	0.023	6.90	DVPR862U6R3L2L
8800	1 X 2-1/8	0.023	6.74	DVPR882U6R3N2C
10000	7/8 X 3-1/8	0.021	7.83	DVPR103U6R3L3C
12000	1 X 2-5/8	0.019	8.16	DVPR123U6R3N2L
15000	1 X 3-1/8	0.017	9.34	DVPR153U6R3N3C
18000	1 X 3-5/8	0.016	10.32	DVPR183U6R3N3L

<b>7 WVDC; 9 VDC SURGE</b>				
----------------------------	--	--	--	--

780	1/2 X 1	0.117	1.45	DVPR781U7R5E1A
1100	1/2 X 1-1/4	0.084	1.87	DVPR112U7R5E1E
1700	1/2 X 1-5/8	0.057	2.59	DVPR172U7R5E1L
2600	3/4 X 1-5/8	0.047	3.57	DVPR262U7R5J1L
3700	7/8 X 1-5/8	0.035	4.50	DVPR372U7R5L1L
4000	3/4 X 2-1/8	0.033	4.81	DVPR402U7R5J2C
4900	1 X 1-5/8	0.029	5.33	DVPR492U7R5N1L
5100	3/4 X 2-5/8	0.028	5.76	DVPR512U7R5J2L
5800	7/8 X 2-1/8	0.025	6.00	DVPR582U7R5L2C
6400	3/4 X 3-1/8	0.024	6.75	DVPR642U7R5J3C
7600	7/8 X 2-5/8	0.021	7.22	DVPR762U7R5L2L
7800	1 X 2-1/8	0.021	7.05	DVPR782U7R5N2C
9700	7/8 X 3-1/8	0.018	8.45	DVPR972U7R5L3C
10000	1 X 2-5/8	0.018	8.38	DVPR103U7R5N2L
13000	1 X 3-1/8	0.016	9.63	DVPR133U7R5N3C
16000	1 X 3-5/8	0.014	11.03	DVPR163U7R5N3L

Capacitance ( $\mu$ F)	Size (inches)	Max ESR (Ohms) @ 25°C, 10kHz	Max Ripple (Amps) @ 85°C, 10kHz	Part Description
---------------------------	---------------	---------------------------------	------------------------------------	------------------

<b>10 WVDC; 12 VDC SURGE</b>				
------------------------------	--	--	--	--

660	1/2 X 1	0.115	1.47	DVPR661U010E1A
990	1/2 X 1-1/4	0.076	1.97	DVPR991U010E1E
1400	1/2 X 1-5/8	0.056	2.61	DVPR142U010E1L
2100	3/4 X 1-5/8	0.047	3.57	DVPR212U010J1L
3100	7/8 X 1-5/8	0.034	4.57	DVPR312U010L1L
3400	3/4 X 2-1/8	0.031	4.96	DVPR342U010J2C
4200	1 X 1-5/8	0.027	5.53	DVPR422U010N1L
4300	3/4 X 2-5/8	0.026	5.97	DVPR432U010J2L
4900	7/8 X 2-1/8	0.024	6.13	DVPR492U010L2C
5400	3/4 X 3-1/8	0.022	7.05	DVPR542U010J3C
6400	7/8 X 2-5/8	0.020	7.40	DVPR642U010L2L
6600	1 X 2-1/8	0.019	7.41	DVPR662U010N2C
8200	7/8 X 3-1/8	0.017	8.70	DVPR822U010L3C
9000	1 X 2-5/8	0.016	8.89	DVPR902U010N2L
11000	1 X 3-1/8	0.014	10.30	DVPR113U010N3C
13000	1 X 3-5/8	0.013	11.45	DVPR133U010N3L

<b>12 WVDC; 15 VDC SURGE</b>				
------------------------------	--	--	--	--

560	1/2 X 1	0.116	1.46	DVPR561U012E1A
1200	1/2 X 1-5/8	0.055	2.64	DVPR122U012E1L
1500	7/8 X 1-1/8	0.054	3.09	DVPR152U012L1C
1800	3/4 X 1-5/8	0.046	3.60	DVPR182U012J1L
2600	7/8 X 1-5/8	0.033	4.64	DVPR262U012L1L
2900	3/4 X 2-1/8	0.030	5.04	DVPR292U012J2C
3600	3/4 X 2-5/8	0.026	5.97	DVPR362U012J2L
3600	1 X 1-5/8	0.026	5.63	DVPR362U012N1L
4200	7/8 X 2-1/8	0.023	6.26	DVPR422U012L2C
4600	3/4 X 3-1/8	0.021	7.21	DVPR462U012J3C
5500	7/8 X 2-5/8	0.019	7.59	DVPR552U012L2L
5600	1 X 2-1/8	0.018	7.67	DVPR562U012N2C
7000	7/8 X 3-1/8	0.016	8.97	DVPR702U012L3C
7700	1 X 2-5/8	0.015	9.18	DVPR772U012N2L
8500	7/8 X 3-5/8	0.014	10.28	DVPR852U012L3L
9800	1 X 3-1/8	0.013	10.68	DVPR982U012N3C
11000	1 X 3-5/8	0.012	11.92	DVPR113U012N3L

Capacitance ( $\mu$ F)	Size (inches)	Max ESR (Ohms) @ 25°C, 10kHz	Max Ripple (Amps) @ 85°C, 10kHz	Part Description
<b>16 WVDC; 20 VDC SURGE</b>				
500	1/2 X 1	0.110	1.50	DVPR501U016E1A
1600	3/4 X 1-5/8	0.043	3.73	DVPR162U016J1L
2300	7/8 X 1-5/8	0.031	4.78	DVPR232U016L1L
2600	3/4 X 2-1/8	0.028	5.22	DVPR262U016J2C
3200	3/4 X 2-5/8	0.024	6.22	DVPR322U016J2L
3200	1 X 1-5/8	0.024	5.86	DVPR322U016N1L
3700	7/8 X 2-1/8	0.021	6.55	DVPR372U016L2C
4100	3/4 X 3-1/8	0.020	7.39	DVPR412U016J3C
4900	7/8 X 2-5/8	0.017	8.02	DVPR492U016L2L
5000	1 X 2-1/8	0.017	7.84	DVPR502U016N2C
6200	7/8 X 3-1/8	0.015	9.26	DVPR622U016L3C
6900	1 X 2-5/8	0.014	9.50	DVPR692U016N2L
8700	1 X 3-1/8	0.012	11.12	DVPR872U016N3C
10000	1 X 3-5/8	0.011	12.45	DVPR103U016N3L

<b>25 WVDC; 30 VDC SURGE</b>				
640	1/2 X 1-5/8	0.067	2.39	DVPR641U025E1L
940	3/4 X 1-5/8	0.054	3.33	DVPR941U025J1L
1300	7/8 X 1-5/8	0.040	4.21	DVPR132U025L1L
1400	3/4 X 2-1/8	0.038	4.48	DVPR142U025J2C
1800	3/4 X 2-5/8	0.030	5.56	DVPR182U025J2L
1800	1 X 1-5/8	0.030	5.24	DVPR182U025N1L
2100	7/8 X 2-1/8	0.026	5.89	DVPR212U025L2C
2300	3/4 X 3-1/8	0.024	6.75	DVPR232U025232
2800	7/8 X 2-5/8	0.021	7.22	DVPR282U025L2L
2800	1 X 2-1/8	0.021	7.05	DVPR282U025N2C
3500	7/8 X 3-1/8	0.017	8.70	DVPR352U025L3C
3900	1 X 2-5/8	0.016	8.89	DVPR392U025N2L
4900	1 X 3-1/8	0.013	10.68	DVPR492U025N3C

Capacitance ( $\mu$ F)	Size (inches)	Max ESR (Ohms) @ 25°C, 10kHz	Max Ripple (Amps) @ 85°C, 10kHz	Part Description
---------------------------	---------------	---------------------------------	------------------------------------	------------------

<b>40 WVDC; 50 VDC SURGE</b>				
------------------------------	--	--	--	--

160	1/2 X 1	0.171	1.20	DVPR161U040E1A
240	1/2 X 1-1/4	0.114	1.61	DVPR241U040E1E
360	1/2 X 1-5/8	0.091	2.05	DVPR361U04031L
540	3/4 X 1-5/8	0.061	3.13	DVPR541U040J1L
760	7/8 X 1-5/8	0.043	4.06	DVPR761U040L1L
850	3/4 X 2-1/8	0.038	4.48	DVPR851U040J2C
1000	1 X 1-5/8	0.033	5.00	DVPR102U040N1L
1100	3/4 X 2-5/8	0.030	5.56	DVPR112U040J2L
1200	7/8 X 2-1/8	0.028	5.67	DVPR122U040L2C
1300	3/4 X 3-1/8	0.026	6.48	DVPR132U040J3C
1600	7/8 X 2-5/8	0.021	7.22	DVPR162U040L2L
1600	1 X 2-1/8	0.021	7.05	DVPR162U040N2C
2000	7/8 X 3-1/8	0.018	8.45	DVPR202U040L3C
2200	1 X 2-5/8	0.016	8.89	DVPR222U040N2L
2800	1 X 3-1/8	0.013	10.68	DVPR282U040N3C
3300	1 X 3-5/8	0.012	11.92	DVPR332U040N3L

<b>50 WVDC; 65 VDC SURGE</b>				
------------------------------	--	--	--	--

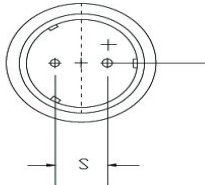
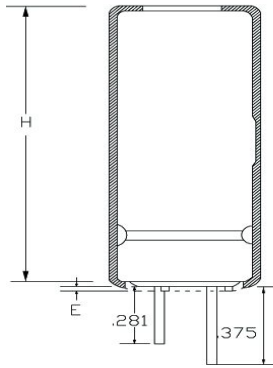
110	1/2 X 1	0.317	0.88	DVPR111U050E1A
160	1/2 X 1-1/4	0.218	1.16	DVPR161U050E1E
250	1/2 X 1-5/8	0.139	1.66	DVPR251U050E1L
420	3/4 X 1-5/8	0.056	2.92	DVPR421U050J1L
600	7/8 X 1-5/8	0.039	3.81	DVPR601U050L1L
630	3/4 X 2-1/8	0.037	4.04	DVPR631U050J2C
810	1 X 1-5/8	0.029	4.77	DVPR811U050N1L
840	3/4 X 2-5/8	0.028	5.15	DVPR841U050J2L
900	7/8 X 2-1/8	0.026	5.26	DVPR901U050L2C
960	3/4 X 3-1/8	0.024	5.97	DVPR961U050J3C
1200	7/8 X 2-5/8	0.020	6.68	DVPR122U050L2L
1200	1 X 2-1/8	0.020	6.53	DVPR122U050N2C
1400	7/8 X 3-1/8	0.017	7.83	DVPR142U050L3C
1600	1 X 2-5/8	0.015	8.30	DVPR162U050N2L
2000	1 X 3-1/8	0.012	10.05	DVPR202U050N3C
2400	1 X 3-5/8	0.010	11.80	DVPR242U050N3L

Capacitance ( $\mu$ F)	Size (inches)	Max ESR (Ohms) @ 25°C, 10kHz	Max Ripple (Amps) @ 85°C, 10kHz	Part Description
<b>100 WVDC; 125 VDC SURGE</b>				
62	1/2 X 1	0.489	0.71	DVPR620U075E1A
93	1/2 X 1-1/4	0.326	0.90	DVPR930U075E1E
140	1/2 X 1-5/8	0.216	1.33	DVPR141U075E1L
230	3/4 X 1-5/8	0.102	2.16	DVPR231U075J1L
330	7/8 X 1-5/8	0.071	2.82	DVPR331U075L1L
350	3/4 X 2-1/8	0.067	3.01	DVPR351U075J2C
450	1 X 1-5/8	0.052	3.55	DVPR451U075N1L
470	3/4 X 2-5/8	0.050	3.85	DVPR471U075J2L
500	7/8 X 2-1/8	0.047	3.92	DVPR501U075L2C
540	3/4 X 3-1/8	0.044	4.48	DVPR541U075J3C
670	7/8 X 2-5/8	0.035	4.99	DVPR671U075L2L
680	1 X 2-1/8	0.035	4.92	DVPR681U075N2C
810	7/8 X 3-1/8	0.029	5.96	DVPR811U075L3C
900	1 X 2-5/8	0.026	6.22	DVPR901U075N2L
1100	1 X 3-1/8	0.021	7.45	DVPR112U075N3C
1300	1 X 3-5/8	0.018	8.68	DVPR132U075N3L
34	1/2 X 1	0.865	0.53	DVPR340U100E1A
52	1/2 X 1-1/4	0.565	0.73	DVPR520U100E1E
78	1/2 X 1-5/8	0.377	1.01	DVPR780U100E1L
130	3/4 X 1-5/8	0.226	1.63	DVPR131U100J1L
180	7/8 X 1-5/8	0.163	2.08	DVPR181U100L1L
190	3/4 X 2-1/8	0.155	2.22	DVPR191U100J2C
250	1 X 1-5/8	0.117	2.65	DVPR251U100N1L
260	3/4 X 2-5/8	0.113	2.86	DVPR261U100J2L
280	7/8 X 2-1/8	0.105	2.93	DVPR281U100L2C
300	3/4 X 3-1/8	0.098	3.34	DVPR301U100J3C
360	3/4 X 3-5/8	0.082	3.92	DVPR361U100J3L
370	7/8 X 2-5/8	0.079	3.71	DVPR371U100L2L
380	1 X 2-1/8	0.077	3.67	DVPR381U100N2C
450	7/8 X 2-1/8	0.065	4.44	DVPR451U100L3C
500	1 X 2-5/8	0.059	4.64	DVPR501U100N2L
540	7/8 X 3-5/8	0.054	5.21	DVPR541U100L3L
630	1 X 3-1/8	0.047	5.64	DVPR631U100N3C

# Lead Configurations

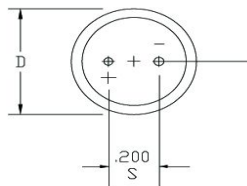
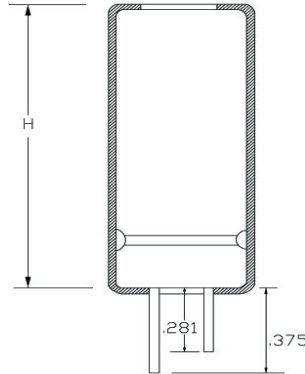
**Figure A (Standard)**

<3/4", 7/8", 1"DIA>



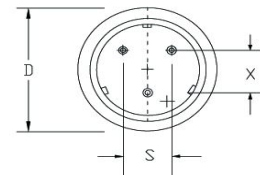
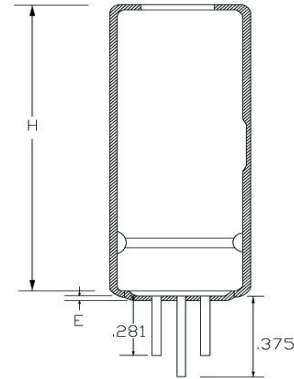
**Figure C (Standard)**

<1/2"DIA ONLY>



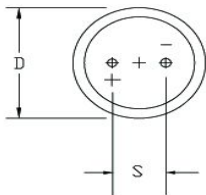
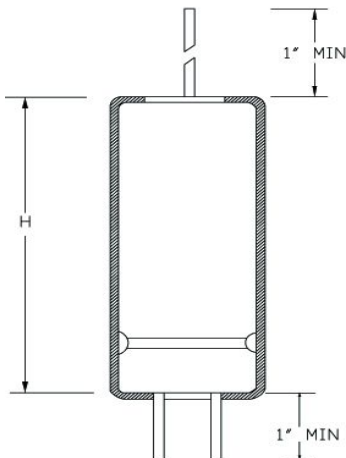
**Figure B (Special)**

<3/4", 7/8", 1"DIA>



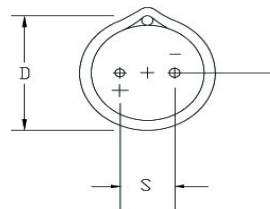
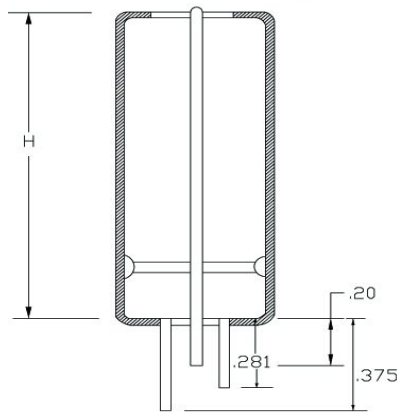
**Figure J (Special)**

<1/2", 3/4", 7/8", 1"DIA>



**Figure T (Special)**

<1/2", 3/4", 7/8", 1"DIA ONLY>



Capacitance ( $\mu$ F)	Size (inches)	Max ESR (Ohms) @ 25°C, 10kHz	Max Ripple (Amps) @ 85°C, 10kHz	Part Description
---------------------------	---------------	---------------------------------	------------------------------------	------------------

<b>6.3 WVDC; 8 VDC SURGE</b>				
------------------------------	--	--	--	--

880	1/2 X 1	0.121	1.43	DVPR881U6R3E1A
1300	1/2 X 1-1/4	0.084	1.87	DVPR132U6R3E1E
2900	3/4 X 1-5/8	0.050	3.46	DVPR292U6R3J1L
4100	7/8 X 1-5/8	0.038	4.32	DVPR412U6R3L1L
4600	3/4 X 2-1/8	0.035	4.67	DVPR462U6R3J2C
5600	1 X 1-5/8	0.030	5.24	DVPR562U6R3N1L
5700	3/4 X 2-5/8	0.030	5.56	DVPR572U6R3J2L
6500	7/8 X 2-1/8	0.027	5.78	DVPR652U6R3L2C
7200	3/4 X 3-1/8	0.026	6.48	DVPR722U6R3J3C
8600	7/8 X 2-5/8	0.023	6.90	DVPR862U6R3L2L
8800	1 X 2-1/8	0.023	6.74	DVPR882U6R3N2C
10000	7/8 X 3-1/8	0.021	7.83	DVPR103U6R3L3C
12000	1 X 2-5/8	0.019	8.16	DVPR123U6R3N2L
15000	1 X 3-1/8	0.017	9.34	DVPR153U6R3N3C
18000	1 X 3-5/8	0.016	10.32	DVPR183U6R3N3L

<b>7 WVDC; 9 VDC SURGE</b>				
----------------------------	--	--	--	--

780	1/2 X 1	0.117	1.45	DVPR781U7R5E1A
1100	1/2 X 1-1/4	0.084	1.87	DVPR112U7R5E1E
1700	1/2 X 1-5/8	0.057	2.59	DVPR172U7R5E1L
2600	3/4 X 1-5/8	0.047	3.57	DVPR262U7R5J1L
3700	7/8 X 1-5/8	0.035	4.50	DVPR372U7R5L1L
4000	3/4 X 2-1/8	0.033	4.81	DVPR402U7R5J2C
4900	1 X 1-5/8	0.029	5.33	DVPR492U7R5N1L
5100	3/4 X 2-5/8	0.028	5.76	DVPR512U7R5J2L
5800	7/8 X 2-1/8	0.025	6.00	DVPR582U7R5L2C
6400	3/4 X 3-1/8	0.024	6.75	DVPR642U7R5J3C
7600	7/8 X 2-5/8	0.021	7.22	DVPR762U7R5L2L
7800	1 X 2-1/8	0.021	7.05	DVPR782U7R5N2C
9700	7/8 X 3-1/8	0.018	8.45	DVPR972U7R5L3C
10000	1 X 2-5/8	0.018	8.38	DVPR103U7R5N2L
13000	1 X 3-1/8	0.016	9.63	DVPR133U7R5N3C
16000	1 X 3-5/8	0.014	11.03	DVPR163U7R5N3L



Capacitance ( $\mu\text{F}$ )	Size (inches)	Max ESR (Ohms) @ 25°C, 10kHz	Max Ripple (Amps) @ 85°C, 10kHz	Part Description
----------------------------------	---------------	---------------------------------	------------------------------------	------------------

<b>10 WVDC; 12 VDC SURGE</b>				
------------------------------	--	--	--	--

660	1/2 X 1	0.115	1.47	DVPR661U010E1A
990	1/2 X 1-1/4	0.076	1.97	DVPR991U010E1E
1400	1/2 X 1-5/8	0.056	2.61	DVPR142U010E1L
2100	3/4 X 1-5/8	0.047	3.57	DVPR212U010J1L
3100	7/8 X 1-5/8	0.034	4.57	DVPR312U010L1L
3400	3/4 X 2-1/8	0.031	4.96	DVPR342U010J2C
4200	1 X 1-5/8	0.027	5.53	DVPR422U010N1L
4300	3/4 X 2-5/8	0.026	5.97	DVPR432U010J2L
4900	7/8 X 2-1/8	0.024	6.13	DVPR492U010L2C
5400	3/4 X 3-1/8	0.022	7.05	DVPR542U010J3C
6400	7/8 X 2-5/8	0.020	7.40	DVPR642U010L2L
6600	1 X 2-1/8	0.019	7.41	DVPR662U010N2C
8200	7/8 X 3-1/8	0.017	8.70	DVPR822U010L3C
9000	1 X 2-5/8	0.016	8.89	DVPR902U010N2L
11000	1 X 3-1/8	0.014	10.30	DVPR113U010N3C
13000	1 X 3-5/8	0.013	11.45	DVPR133U010N3L

<b>12 WVDC; 15 VDC SURGE</b>				
------------------------------	--	--	--	--

560	1/2 X 1	0.116	1.46	DVPR561U012E1A
1200	1/2 X 1-5/8	0.055	2.64	DVPR122U012E1L
1500	7/8 X 1-1/8	0.054	3.09	DVPR152U012L1C
1800	3/4 X 1-5/8	0.046	3.60	DVPR182U012J1L
2600	7/8 X 1-5/8	0.033	4.64	DVPR262U012L1L
2900	3/4 X 2-1/8	0.030	5.04	DVPR292U012J2C
3600	3/4 X 2-5/8	0.026	5.97	DVPR362U012J2L
3600	1 X 1-5/8	0.026	5.63	DVPR362U012N1L
4200	7/8 X 2-1/8	0.023	6.26	DVPR422U012L2C
4600	3/4 X 3-1/8	0.021	7.21	DVPR462U012J3C
5500	7/8 X 2-5/8	0.019	7.59	DVPR552U012L2L
5600	1 X 2-1/8	0.018	7.67	DVPR562U012N2C
7000	7/8 X 3-1/8	0.016	8.97	DVPR702U012L3C
7700	1 X 2-5/8	0.015	9.18	DVPR772U012N2L
8500	7/8 X 3-5/8	0.014	10.28	DVPR852U012L3L
9800	1 X 3-1/8	0.013	10.68	DVPR982U012N3C
11000	1 X 3-5/8	0.012	11.92	DVPR113U012N3L



Capacitance ( $\mu$ F)	Size (inches)	Max ESR (Ohms) @ 25°C, 10kHz	Max Ripple (Amps) @ 85°C, 10kHz	Part Description
<b>16 WVDC; 20 VDC SURGE</b>				
500	1/2 X 1	0.110	1.50	DVPR501U016E1A
1600	3/4 X 1-5/8	0.043	3.73	DVPR162U016J1L
2300	7/8 X 1-5/8	0.031	4.78	DVPR232U016L1L
2600	3/4 X 2-1/8	0.028	5.22	DVPR262U016J2C
3200	3/4 X 2-5/8	0.024	6.22	DVPR322U016J2L
3200	1 X 1-5/8	0.024	5.86	DVPR322U016N1L
3700	7/8 X 2-1/8	0.021	6.55	DVPR372U016L2C
4100	3/4 X 3-1/8	0.020	7.39	DVPR412U016J3C
4900	7/8 X 2-5/8	0.017	8.02	DVPR492U016L2L
5000	1 X 2-1/8	0.017	7.84	DVPR502U016N2C
6200	7/8 X 3-1/8	0.015	9.26	DVPR622U016L3C
6900	1 X 2-5/8	0.014	9.50	DVPR692U016N2L
8700	1 X 3-1/8	0.012	11.12	DVPR872U016N3C
10000	1 X 3-5/8	0.011	12.45	DVPR103U016N3L

<b>25 WVDC; 30 VDC SURGE</b>				
640	1/2 X 1-5/8	0.067	2.39	DVPR641U025E1L
940	3/4 X 1-5/8	0.054	3.33	DVPR941U025J1L
1300	7/8 X 1-5/8	0.040	4.21	DVPR132U025L1L
1400	3/4 X 2-1/8	0.038	4.48	DVPR142U025J2C
1800	3/4 X 2-5/8	0.030	5.56	DVPR182U025J2L
1800	1 X 1-5/8	0.030	5.24	DVPR182U025N1L
2100	7/8 X 2-1/8	0.026	5.89	DVPR212U025L2C
2300	3/4 X 3-1/8	0.024	6.75	DVPR232U025232
2800	7/8 X 2-5/8	0.021	7.22	DVPR282U025L2L
2800	1 X 2-1/8	0.021	7.05	DVPR282U025N2C
3500	7/8 X 3-1/8	0.017	8.70	DVPR352U025L3C
3900	1 X 2-5/8	0.016	8.89	DVPR392U025N2L
4900	1 X 3-1/8	0.013	10.68	DVPR492U025N3C

Capacitance ( $\mu\text{F}$ )	Size (inches)	Max ESR (Ohms) @ 25°C, 10kHz	Max Ripple (Amps) @ 85°C, 10kHz	Part Description
----------------------------------	---------------	---------------------------------	------------------------------------	------------------

40 WVDC; 50 VDC SURGE				
-----------------------	--	--	--	--

160	1/2 X 1	0.171	1.20	DVPR161U040E1A
240	1/2 X 1-1/4	0.114	1.61	DVPR241U040E1E
360	1/2 X 1-5/8	0.091	2.05	DVPR361U04031L
540	3/4 X 1-5/8	0.061	3.13	DVPR541U040J1L
760	7/8 X 1-5/8	0.043	4.06	DVPR761U040L1L
850	3/4 X 2-1/8	0.038	4.48	DVPR851U040J2C
1000	1 X 1-5/8	0.033	5.00	DVPR102U040N1L
1100	3/4 X 2-5/8	0.030	5.56	DVPR112U040J2L
1200	7/8 X 2-1/8	0.028	5.67	DVPR122U040L2C
1300	3/4 X 3-1/8	0.026	6.48	DVPR132U040J3C
1600	7/8 X 2-5/8	0.021	7.22	DVPR162U040L2L
1600	1 X 2-1/8	0.021	7.05	DVPR162U040N2C
2000	7/8 X 3-1/8	0.018	8.45	DVPR202U040L3C
2200	1 X 2-5/8	0.016	8.89	DVPR222U040N2L
2800	1 X 3-1/8	0.013	10.68	DVPR282U040N3C
3300	1 X 3-5/8	0.012	11.92	DVPR332U040N3L

50 WVDC; 65 VDC SURGE				
-----------------------	--	--	--	--

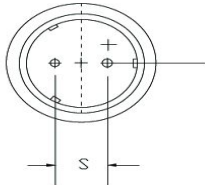
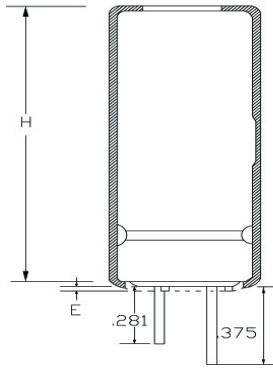
110	1/2 X 1	0.317	0.88	DVPR111U050E1A
160	1/2 X 1-1/4	0.218	1.16	DVPR161U050E1E
250	1/2 X 1-5/8	0.139	1.66	DVPR251U050E1L
420	3/4 X 1-5/8	0.056	2.92	DVPR421U050J1L
600	7/8 X 1-5/8	0.039	3.81	DVPR601U050L1L
630	3/4 X 2-1/8	0.037	4.04	DVPR631U050J2C
810	1 X 1-5/8	0.029	4.77	DVPR811U050N1L
840	3/4 X 2-5/8	0.028	5.15	DVPR841U050J2L
900	7/8 X 2-1/8	0.026	5.26	DVPR901U050L2C
960	3/4 X 3-1/8	0.024	5.97	DVPR961U050J3C
1200	7/8 X 2-5/8	0.020	6.68	DVPR122U050L2L
1200	1 X 2-1/8	0.020	6.53	DVPR122U050N2C
1400	7/8 X 3-1/8	0.017	7.83	DVPR142U050L3C
1600	1 X 2-5/8	0.015	8.30	DVPR162U050N2L
2000	1 X 3-1/8	0.012	10.05	DVPR202U050N3C
2400	1 X 3-5/8	0.010	11.80	DVPR242U050N3L

Capacitance ( $\mu$ F)	Size (inches)	Max ESR (Ohms) @ 25°C, 10kHz	Max Ripple (Amps) @ 85°C, 10kHz	Part Description
<b>100 WVDC; 125 VDC SURGE</b>				
62	1/2 X 1	0.489	0.71	DVPR620U075E1A
93	1/2 X 1-1/4	0.326	0.90	DVPR930U075E1E
140	1/2 X 1-5/8	0.216	1.33	DVPR141U075E1L
230	3/4 X 1-5/8	0.102	2.16	DVPR231U075J1L
330	7/8 X 1-5/8	0.071	2.82	DVPR331U075L1L
350	3/4 X 2-1/8	0.067	3.01	DVPR351U075J2C
450	1 X 1-5/8	0.052	3.55	DVPR451U075N1L
470	3/4 X 2-5/8	0.050	3.85	DVPR471U075J2L
500	7/8 X 2-1/8	0.047	3.92	DVPR501U075L2C
540	3/4 X 3-1/8	0.044	4.48	DVPR541U075J3C
670	7/8 X 2-5/8	0.035	4.99	DVPR671U075L2L
680	1 X 2-1/8	0.035	4.92	DVPR681U075N2C
810	7/8 X 3-1/8	0.029	5.96	DVPR811U075L3C
900	1 X 2-5/8	0.026	6.22	DVPR901U075N2L
1100	1 X 3-1/8	0.021	7.45	DVPR112U075N3C
1300	1 X 3-5/8	0.018	8.68	DVPR132U075N3L
34	1/2 X 1	0.865	0.53	DVPR340U100E1A
52	1/2 X 1-1/4	0.565	0.73	DVPR520U100E1E
78	1/2 X 1-5/8	0.377	1.01	DVPR780U100E1L
130	3/4 X 1-5/8	0.226	1.63	DVPR131U100J1L
180	7/8 X 1-5/8	0.163	2.08	DVPR181U100L1L
190	3/4 X 2-1/8	0.155	2.22	DVPR191U100J2C
250	1 X 1-5/8	0.117	2.65	DVPR251U100N1L
260	3/4 X 2-5/8	0.113	2.86	DVPR261U100J2L
280	7/8 X 2-1/8	0.105	2.93	DVPR281U100L2C
300	3/4 X 3-1/8	0.098	3.34	DVPR301U100J3C
360	3/4 X 3-5/8	0.082	3.92	DVPR361U100J3L
370	7/8 X 2-5/8	0.079	3.71	DVPR371U100L2L
380	1 X 2-1/8	0.077	3.67	DVPR381U100N2C
450	7/8 X 2-1/8	0.065	4.44	DVPR451U100L3C
500	1 X 2-5/8	0.059	4.64	DVPR501U100N2L
540	7/8 X 3-5/8	0.054	5.21	DVPR541U100L3L
630	1 X 3-1/8	0.047	5.64	DVPR631U100N3C

# Lead Configurations

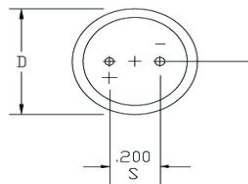
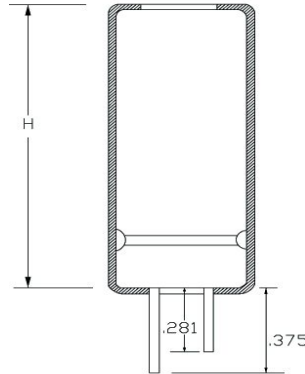
**Figure A (Standard)**

<3/4", 7/8", 1"DIA>



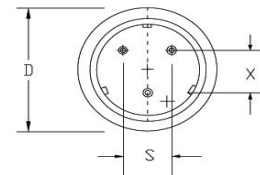
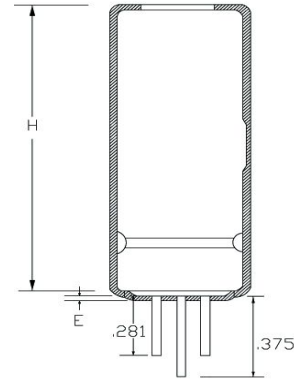
**Figure C (Standard)**

<1/2"DIA ONLY>



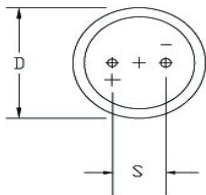
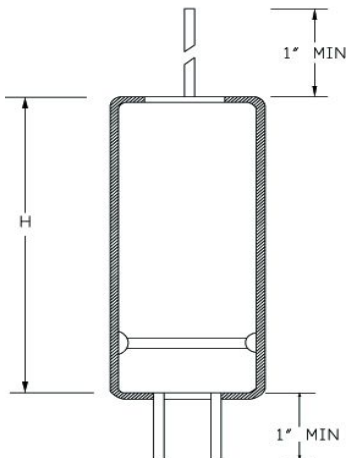
**Figure B (Special)**

<3/4", 7/8", 1"DIA>



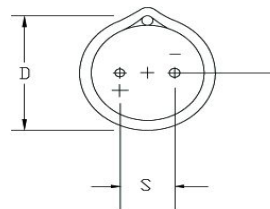
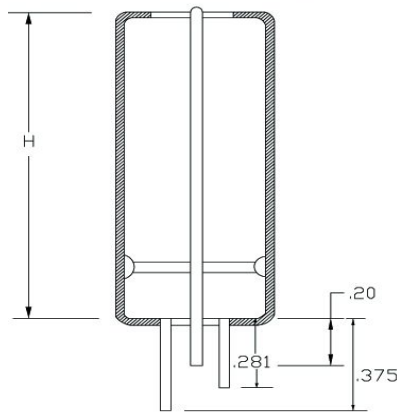
**Figure J (Special)**

<1/2", 3/4", 7/8", 1"DIA>



**Figure T (Special)**

<1/2", 3/4", 7/8", 1"DIA ONLY>



Capacitance ( $\mu$ F)	Size (inches)	Max ESR (Ohms) @ 25°C, 10kHz	Max Ripple (Amps) @ 85°C, 10kHz	Part Description
---------------------------	---------------	---------------------------------	------------------------------------	------------------

<b>6.3 WVDC; 8 VDC SURGE</b>				
------------------------------	--	--	--	--

880	1/2 X 1	0.121	1.43	DVPR881U6R3E1A
1300	1/2 X 1-1/4	0.084	1.87	DVPR132U6R3E1E
2900	3/4 X 1-5/8	0.050	3.46	DVPR292U6R3J1L
4100	7/8 X 1-5/8	0.038	4.32	DVPR412U6R3L1L
4600	3/4 X 2-1/8	0.035	4.67	DVPR462U6R3J2C
5600	1 X 1-5/8	0.030	5.24	DVPR562U6R3N1L
5700	3/4 X 2-5/8	0.030	5.56	DVPR572U6R3J2L
6500	7/8 X 2-1/8	0.027	5.78	DVPR652U6R3L2C
7200	3/4 X 3-1/8	0.026	6.48	DVPR722U6R3J3C
8600	7/8 X 2-5/8	0.023	6.90	DVPR862U6R3L2L
8800	1 X 2-1/8	0.023	6.74	DVPR882U6R3N2C
10000	7/8 X 3-1/8	0.021	7.83	DVPR103U6R3L3C
12000	1 X 2-5/8	0.019	8.16	DVPR123U6R3N2L
15000	1 X 3-1/8	0.017	9.34	DVPR153U6R3N3C
18000	1 X 3-5/8	0.016	10.32	DVPR183U6R3N3L

<b>7 WVDC; 9 VDC SURGE</b>				
----------------------------	--	--	--	--

780	1/2 X 1	0.117	1.45	DVPR781U7R5E1A
1100	1/2 X 1-1/4	0.084	1.87	DVPR112U7R5E1E
1700	1/2 X 1-5/8	0.057	2.59	DVPR172U7R5E1L
2600	3/4 X 1-5/8	0.047	3.57	DVPR262U7R5J1L
3700	7/8 X 1-5/8	0.035	4.50	DVPR372U7R5L1L
4000	3/4 X 2-1/8	0.033	4.81	DVPR402U7R5J2C
4900	1 X 1-5/8	0.029	5.33	DVPR492U7R5N1L
5100	3/4 X 2-5/8	0.028	5.76	DVPR512U7R5J2L
5800	7/8 X 2-1/8	0.025	6.00	DVPR582U7R5L2C
6400	3/4 X 3-1/8	0.024	6.75	DVPR642U7R5J3C
7600	7/8 X 2-5/8	0.021	7.22	DVPR762U7R5L2L
7800	1 X 2-1/8	0.021	7.05	DVPR782U7R5N2C
9700	7/8 X 3-1/8	0.018	8.45	DVPR972U7R5L3C
10000	1 X 2-5/8	0.018	8.38	DVPR103U7R5N2L
13000	1 X 3-1/8	0.016	9.63	DVPR133U7R5N3C
16000	1 X 3-5/8	0.014	11.03	DVPR163U7R5N3L

Capacitance ( $\mu$ F)	Size (inches)	Max ESR (Ohms) @ 25°C, 10kHz	Max Ripple (Amps) @ 85°C, 10kHz	Part Description
---------------------------	---------------	---------------------------------	------------------------------------	------------------

<b>10 WVDC; 12 VDC SURGE</b>				
------------------------------	--	--	--	--

660	1/2 X 1	0.115	1.47	DVPR661U010E1A
990	1/2 X 1-1/4	0.076	1.97	DVPR991U010E1E
1400	1/2 X 1-5/8	0.056	2.61	DVPR142U010E1L
2100	3/4 X 1-5/8	0.047	3.57	DVPR212U010J1L
3100	7/8 X 1-5/8	0.034	4.57	DVPR312U010L1L
3400	3/4 X 2-1/8	0.031	4.96	DVPR342U010J2C
4200	1 X 1-5/8	0.027	5.53	DVPR422U010N1L
4300	3/4 X 2-5/8	0.026	5.97	DVPR432U010J2L
4900	7/8 X 2-1/8	0.024	6.13	DVPR492U010L2C
5400	3/4 X 3-1/8	0.022	7.05	DVPR542U010J3C
6400	7/8 X 2-5/8	0.020	7.40	DVPR642U010L2L
6600	1 X 2-1/8	0.019	7.41	DVPR662U010N2C
8200	7/8 X 3-1/8	0.017	8.70	DVPR822U010L3C
9000	1 X 2-5/8	0.016	8.89	DVPR902U010N2L
11000	1 X 3-1/8	0.014	10.30	DVPR113U010N3C
13000	1 X 3-5/8	0.013	11.45	DVPR133U010N3L

<b>12 WVDC; 15 VDC SURGE</b>				
------------------------------	--	--	--	--

560	1/2 X 1	0.116	1.46	DVPR561U012E1A
1200	1/2 X 1-5/8	0.055	2.64	DVPR122U012E1L
1500	7/8 X 1-1/8	0.054	3.09	DVPR152U012L1C
1800	3/4 X 1-5/8	0.046	3.60	DVPR182U012J1L
2600	7/8 X 1-5/8	0.033	4.64	DVPR262U012L1L
2900	3/4 X 2-1/8	0.030	5.04	DVPR292U012J2C
3600	3/4 X 2-5/8	0.026	5.97	DVPR362U012J2L
3600	1 X 1-5/8	0.026	5.63	DVPR362U012N1L
4200	7/8 X 2-1/8	0.023	6.26	DVPR422U012L2C
4600	3/4 X 3-1/8	0.021	7.21	DVPR462U012J3C
5500	7/8 X 2-5/8	0.019	7.59	DVPR552U012L2L
5600	1 X 2-1/8	0.018	7.67	DVPR562U012N2C
7000	7/8 X 3-1/8	0.016	8.97	DVPR702U012L3C
7700	1 X 2-5/8	0.015	9.18	DVPR772U012N2L
8500	7/8 X 3-5/8	0.014	10.28	DVPR852U012L3L
9800	1 X 3-1/8	0.013	10.68	DVPR982U012N3C
11000	1 X 3-5/8	0.012	11.92	DVPR113U012N3L

Capacitance ( $\mu$ F)	Size (inches)	Max ESR (Ohms) @ 25°C, 10kHz	Max Ripple (Amps) @ 85°C, 10kHz	Part Description
<b>16 WVDC; 20 VDC SURGE</b>				
500	1/2 X 1	0.110	1.50	DVPR501U016E1A
1600	3/4 X 1-5/8	0.043	3.73	DVPR162U016J1L
2300	7/8 X 1-5/8	0.031	4.78	DVPR232U016L1L
2600	3/4 X 2-1/8	0.028	5.22	DVPR262U016J2C
3200	3/4 X 2-5/8	0.024	6.22	DVPR322U016J2L
3200	1 X 1-5/8	0.024	5.86	DVPR322U016N1L
3700	7/8 X 2-1/8	0.021	6.55	DVPR372U016L2C
4100	3/4 X 3-1/8	0.020	7.39	DVPR412U016J3C
4900	7/8 X 2-5/8	0.017	8.02	DVPR492U016L2L
5000	1 X 2-1/8	0.017	7.84	DVPR502U016N2C
6200	7/8 X 3-1/8	0.015	9.26	DVPR622U016L3C
6900	1 X 2-5/8	0.014	9.50	DVPR692U016N2L
8700	1 X 3-1/8	0.012	11.12	DVPR872U016N3C
10000	1 X 3-5/8	0.011	12.45	DVPR103U016N3L

<b>25 WVDC; 30 VDC SURGE</b>				
640	1/2 X 1-5/8	0.067	2.39	DVPR641U025E1L
940	3/4 X 1-5/8	0.054	3.33	DVPR941U025J1L
1300	7/8 X 1-5/8	0.040	4.21	DVPR132U025L1L
1400	3/4 X 2-1/8	0.038	4.48	DVPR142U025J2C
1800	3/4 X 2-5/8	0.030	5.56	DVPR182U025J2L
1800	1 X 1-5/8	0.030	5.24	DVPR182U025N1L
2100	7/8 X 2-1/8	0.026	5.89	DVPR212U025L2C
2300	3/4 X 3-1/8	0.024	6.75	DVPR232U025232
2800	7/8 X 2-5/8	0.021	7.22	DVPR282U025L2L
2800	1 X 2-1/8	0.021	7.05	DVPR282U025N2C
3500	7/8 X 3-1/8	0.017	8.70	DVPR352U025L3C
3900	1 X 2-5/8	0.016	8.89	DVPR392U025N2L
4900	1 X 3-1/8	0.013	10.68	DVPR492U025N3C



Capacitance ( $\mu$ F)	Size (inches)	Max ESR (Ohms) @ 25°C, 10kHz	Max Ripple (Amps) @ 85°C, 10kHz	Part Description
---------------------------	---------------	---------------------------------	------------------------------------	------------------

<b>40 WVDC; 50 VDC SURGE</b>				
------------------------------	--	--	--	--

160	1/2 X 1	0.171	1.20	DVPR161U040E1A
240	1/2 X 1-1/4	0.114	1.61	DVPR241U040E1E
360	1/2 X 1-5/8	0.091	2.05	DVPR361U04031L
540	3/4 X 1-5/8	0.061	3.13	DVPR541U040J1L
760	7/8 X 1-5/8	0.043	4.06	DVPR761U040L1L
850	3/4 X 2-1/8	0.038	4.48	DVPR851U040J2C
1000	1 X 1-5/8	0.033	5.00	DVPR102U040N1L
1100	3/4 X 2-5/8	0.030	5.56	DVPR112U040J2L
1200	7/8 X 2-1/8	0.028	5.67	DVPR122U040L2C
1300	3/4 X 3-1/8	0.026	6.48	DVPR132U040J3C
1600	7/8 X 2-5/8	0.021	7.22	DVPR162U040L2L
1600	1 X 2-1/8	0.021	7.05	DVPR162U040N2C
2000	7/8 X 3-1/8	0.018	8.45	DVPR202U040L3C
2200	1 X 2-5/8	0.016	8.89	DVPR222U040N2L
2800	1 X 3-1/8	0.013	10.68	DVPR282U040N3C
3300	1 X 3-5/8	0.012	11.92	DVPR332U040N3L

<b>50 WVDC; 65 VDC SURGE</b>				
------------------------------	--	--	--	--

110	1/2 X 1	0.317	0.88	DVPR111U050E1A
160	1/2 X 1-1/4	0.218	1.16	DVPR161U050E1E
250	1/2 X 1-5/8	0.139	1.66	DVPR251U050E1L
420	3/4 X 1-5/8	0.056	2.92	DVPR421U050J1L
600	7/8 X 1-5/8	0.039	3.81	DVPR601U050L1L
630	3/4 X 2-1/8	0.037	4.04	DVPR631U050J2C
810	1 X 1-5/8	0.029	4.77	DVPR811U050N1L
840	3/4 X 2-5/8	0.028	5.15	DVPR841U050J2L
900	7/8 X 2-1/8	0.026	5.26	DVPR901U050L2C
960	3/4 X 3-1/8	0.024	5.97	DVPR961U050J3C
1200	7/8 X 2-5/8	0.020	6.68	DVPR122U050L2L
1200	1 X 2-1/8	0.020	6.53	DVPR122U050N2C
1400	7/8 X 3-1/8	0.017	7.83	DVPR142U050L3C
1600	1 X 2-5/8	0.015	8.30	DVPR162U050N2L
2000	1 X 3-1/8	0.012	10.05	DVPR202U050N3C
2400	1 X 3-5/8	0.010	11.80	DVPR242U050N3L

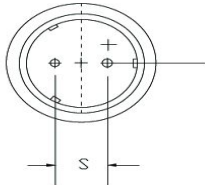
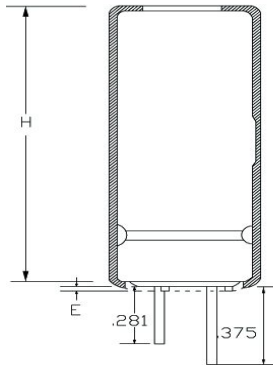


Capacitance ( $\mu$ F)	Size (inches)	Max ESR (Ohms) @ 25°C, 10kHz	Max Ripple (Amps) @ 85°C, 10kHz	Part Description
<b>100 WVDC; 125 VDC SURGE</b>				
62	1/2 X 1	0.489	0.71	DVPR620U075E1A
93	1/2 X 1-1/4	0.326	0.90	DVPR930U075E1E
140	1/2 X 1-5/8	0.216	1.33	DVPR141U075E1L
230	3/4 X 1-5/8	0.102	2.16	DVPR231U075J1L
330	7/8 X 1-5/8	0.071	2.82	DVPR331U075L1L
350	3/4 X 2-1/8	0.067	3.01	DVPR351U075J2C
450	1 X 1-5/8	0.052	3.55	DVPR451U075N1L
470	3/4 X 2-5/8	0.050	3.85	DVPR471U075J2L
500	7/8 X 2-1/8	0.047	3.92	DVPR501U075L2C
540	3/4 X 3-1/8	0.044	4.48	DVPR541U075J3C
670	7/8 X 2-5/8	0.035	4.99	DVPR671U075L2L
680	1 X 2-1/8	0.035	4.92	DVPR681U075N2C
810	7/8 X 3-1/8	0.029	5.96	DVPR811U075L3C
900	1 X 2-5/8	0.026	6.22	DVPR901U075N2L
1100	1 X 3-1/8	0.021	7.45	DVPR112U075N3C
1300	1 X 3-5/8	0.018	8.68	DVPR132U075N3L
34	1/2 X 1	0.865	0.53	DVPR340U100E1A
52	1/2 X 1-1/4	0.565	0.73	DVPR520U100E1E
78	1/2 X 1-5/8	0.377	1.01	DVPR780U100E1L
130	3/4 X 1-5/8	0.226	1.63	DVPR131U100J1L
180	7/8 X 1-5/8	0.163	2.08	DVPR181U100L1L
190	3/4 X 2-1/8	0.155	2.22	DVPR191U100J2C
250	1 X 1-5/8	0.117	2.65	DVPR251U100N1L
260	3/4 X 2-5/8	0.113	2.86	DVPR261U100J2L
280	7/8 X 2-1/8	0.105	2.93	DVPR281U100L2C
300	3/4 X 3-1/8	0.098	3.34	DVPR301U100J3C
360	3/4 X 3-5/8	0.082	3.92	DVPR361U100J3L
370	7/8 X 2-5/8	0.079	3.71	DVPR371U100L2L
380	1 X 2-1/8	0.077	3.67	DVPR381U100N2C
450	7/8 X 2-1/8	0.065	4.44	DVPR451U100L3C
500	1 X 2-5/8	0.059	4.64	DVPR501U100N2L
540	7/8 X 3-5/8	0.054	5.21	DVPR541U100L3L
630	1 X 3-1/8	0.047	5.64	DVPR631U100N3C

# Lead Configurations

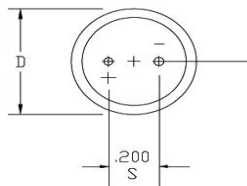
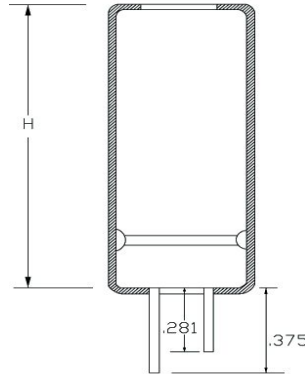
**Figure A (Standard)**

(3/4", 7/8", 1"DIA)



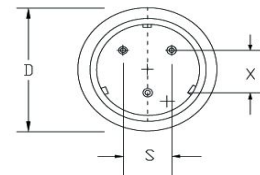
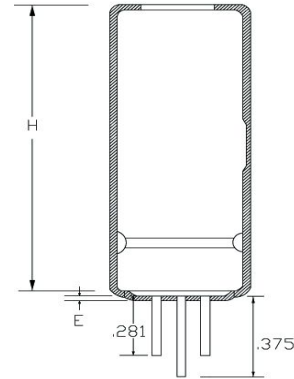
**Figure C (Standard)**

(1/2"DIA ONLY)



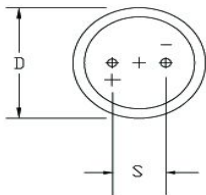
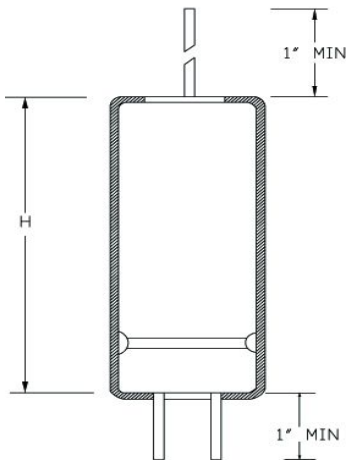
**Figure B (Special)**

(3/4", 7/8", 1"DIA)



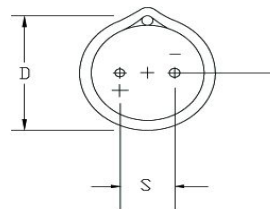
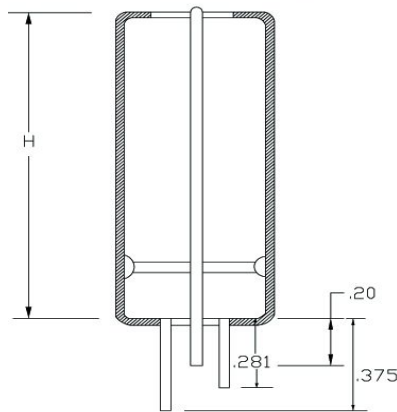
**Figure J (Special)**

(1/2", 3/4", 7/8", 1"DIA)



**Figure T (Special)**

(1/2", 3/4", 7/8", 1"DIA ONLY)



Capacitance ( $\mu$ F)	Size (inches)	Max ESR (Ohms) @ 25°C, 10kHz	Max Ripple (Amps) @ 85°C, 10kHz	Part Description
---------------------------	---------------	---------------------------------	------------------------------------	------------------

<b>6.3 WVDC; 8 VDC SURGE</b>				
------------------------------	--	--	--	--

880	1/2 X 1	0.121	1.43	DVPR881U6R3E1A
1300	1/2 X 1-1/4	0.084	1.87	DVPR132U6R3E1E
2900	3/4 X 1-5/8	0.050	3.46	DVPR292U6R3J1L
4100	7/8 X 1-5/8	0.038	4.32	DVPR412U6R3L1L
4600	3/4 X 2-1/8	0.035	4.67	DVPR462U6R3J2C
5600	1 X 1-5/8	0.030	5.24	DVPR562U6R3N1L
5700	3/4 X 2-5/8	0.030	5.56	DVPR572U6R3J2L
6500	7/8 X 2-1/8	0.027	5.78	DVPR652U6R3L2C
7200	3/4 X 3-1/8	0.026	6.48	DVPR722U6R3J3C
8600	7/8 X 2-5/8	0.023	6.90	DVPR862U6R3L2L
8800	1 X 2-1/8	0.023	6.74	DVPR882U6R3N2C
10000	7/8 X 3-1/8	0.021	7.83	DVPR103U6R3L3C
12000	1 X 2-5/8	0.019	8.16	DVPR123U6R3N2L
15000	1 X 3-1/8	0.017	9.34	DVPR153U6R3N3C
18000	1 X 3-5/8	0.016	10.32	DVPR183U6R3N3L

<b>7 WVDC; 9 VDC SURGE</b>				
----------------------------	--	--	--	--

780	1/2 X 1	0.117	1.45	DVPR781U7R5E1A
1100	1/2 X 1-1/4	0.084	1.87	DVPR112U7R5E1E
1700	1/2 X 1-5/8	0.057	2.59	DVPR172U7R5E1L
2600	3/4 X 1-5/8	0.047	3.57	DVPR262U7R5J1L
3700	7/8 X 1-5/8	0.035	4.50	DVPR372U7R5L1L
4000	3/4 X 2-1/8	0.033	4.81	DVPR402U7R5J2C
4900	1 X 1-5/8	0.029	5.33	DVPR492U7R5N1L
5100	3/4 X 2-5/8	0.028	5.76	DVPR512U7R5J2L
5800	7/8 X 2-1/8	0.025	6.00	DVPR582U7R5L2C
6400	3/4 X 3-1/8	0.024	6.75	DVPR642U7R5J3C
7600	7/8 X 2-5/8	0.021	7.22	DVPR762U7R5L2L
7800	1 X 2-1/8	0.021	7.05	DVPR782U7R5N2C
9700	7/8 X 3-1/8	0.018	8.45	DVPR972U7R5L3C
10000	1 X 2-5/8	0.018	8.38	DVPR103U7R5N2L
13000	1 X 3-1/8	0.016	9.63	DVPR133U7R5N3C
16000	1 X 3-5/8	0.014	11.03	DVPR163U7R5N3L

Capacitance ( $\mu$ F)	Size (inches)	Max ESR (Ohms) @ 25°C, 10kHz	Max Ripple (Amps) @ 85°C, 10kHz	Part Description
---------------------------	---------------	---------------------------------	------------------------------------	------------------

<b>10 WVDC; 12 VDC SURGE</b>				
------------------------------	--	--	--	--

660	1/2 X 1	0.115	1.47	DVPR661U010E1A
990	1/2 X 1-1/4	0.076	1.97	DVPR991U010E1E
1400	1/2 X 1-5/8	0.056	2.61	DVPR142U010E1L
2100	3/4 X 1-5/8	0.047	3.57	DVPR212U010J1L
3100	7/8 X 1-5/8	0.034	4.57	DVPR312U010L1L
3400	3/4 X 2-1/8	0.031	4.96	DVPR342U010J2C
4200	1 X 1-5/8	0.027	5.53	DVPR422U010N1L
4300	3/4 X 2-5/8	0.026	5.97	DVPR432U010J2L
4900	7/8 X 2-1/8	0.024	6.13	DVPR492U010L2C
5400	3/4 X 3-1/8	0.022	7.05	DVPR542U010J3C
6400	7/8 X 2-5/8	0.020	7.40	DVPR642U010L2L
6600	1 X 2-1/8	0.019	7.41	DVPR662U010N2C
8200	7/8 X 3-1/8	0.017	8.70	DVPR822U010L3C
9000	1 X 2-5/8	0.016	8.89	DVPR902U010N2L
11000	1 X 3-1/8	0.014	10.30	DVPR113U010N3C
13000	1 X 3-5/8	0.013	11.45	DVPR133U010N3L

<b>12 WVDC; 15 VDC SURGE</b>				
------------------------------	--	--	--	--

560	1/2 X 1	0.116	1.46	DVPR561U012E1A
1200	1/2 X 1-5/8	0.055	2.64	DVPR122U012E1L
1500	7/8 X 1-1/8	0.054	3.09	DVPR152U012L1C
1800	3/4 X 1-5/8	0.046	3.60	DVPR182U012J1L
2600	7/8 X 1-5/8	0.033	4.64	DVPR262U012L1L
2900	3/4 X 2-1/8	0.030	5.04	DVPR292U012J2C
3600	3/4 X 2-5/8	0.026	5.97	DVPR362U012J2L
3600	1 X 1-5/8	0.026	5.63	DVPR362U012N1L
4200	7/8 X 2-1/8	0.023	6.26	DVPR422U012L2C
4600	3/4 X 3-1/8	0.021	7.21	DVPR462U012J3C
5500	7/8 X 2-5/8	0.019	7.59	DVPR552U012L2L
5600	1 X 2-1/8	0.018	7.67	DVPR562U012N2C
7000	7/8 X 3-1/8	0.016	8.97	DVPR702U012L3C
7700	1 X 2-5/8	0.015	9.18	DVPR772U012N2L
8500	7/8 X 3-5/8	0.014	10.28	DVPR852U012L3L
9800	1 X 3-1/8	0.013	10.68	DVPR982U012N3C
11000	1 X 3-5/8	0.012	11.92	DVPR113U012N3L

Capacitance ( $\mu$ F)	Size (inches)	Max ESR (Ohms) @ 25°C, 10kHz	Max Ripple (Amps) @ 85°C, 10kHz	Part Description
<b>16 WVDC; 20 VDC SURGE</b>				
500	1/2 X 1	0.110	1.50	DVPR501U016E1A
1600	3/4 X 1-5/8	0.043	3.73	DVPR162U016J1L
2300	7/8 X 1-5/8	0.031	4.78	DVPR232U016L1L
2600	3/4 X 2-1/8	0.028	5.22	DVPR262U016J2C
3200	3/4 X 2-5/8	0.024	6.22	DVPR322U016J2L
3200	1 X 1-5/8	0.024	5.86	DVPR322U016N1L
3700	7/8 X 2-1/8	0.021	6.55	DVPR372U016L2C
4100	3/4 X 3-1/8	0.020	7.39	DVPR412U016J3C
4900	7/8 X 2-5/8	0.017	8.02	DVPR492U016L2L
5000	1 X 2-1/8	0.017	7.84	DVPR502U016N2C
6200	7/8 X 3-1/8	0.015	9.26	DVPR622U016L3C
6900	1 X 2-5/8	0.014	9.50	DVPR692U016N2L
8700	1 X 3-1/8	0.012	11.12	DVPR872U016N3C
10000	1 X 3-5/8	0.011	12.45	DVPR103U016N3L

<b>25 WVDC; 30 VDC SURGE</b>				
640	1/2 X 1-5/8	0.067	2.39	DVPR641U025E1L
940	3/4 X 1-5/8	0.054	3.33	DVPR941U025J1L
1300	7/8 X 1-5/8	0.040	4.21	DVPR132U025L1L
1400	3/4 X 2-1/8	0.038	4.48	DVPR142U025J2C
1800	3/4 X 2-5/8	0.030	5.56	DVPR182U025J2L
1800	1 X 1-5/8	0.030	5.24	DVPR182U025N1L
2100	7/8 X 2-1/8	0.026	5.89	DVPR212U025L2C
2300	3/4 X 3-1/8	0.024	6.75	DVPR232U025232
2800	7/8 X 2-5/8	0.021	7.22	DVPR282U025L2L
2800	1 X 2-1/8	0.021	7.05	DVPR282U025N2C
3500	7/8 X 3-1/8	0.017	8.70	DVPR352U025L3C
3900	1 X 2-5/8	0.016	8.89	DVPR392U025N2L
4900	1 X 3-1/8	0.013	10.68	DVPR492U025N3C

Capacitance ( $\mu$ F)	Size (inches)	Max ESR (Ohms) @ 25°C, 10kHz	Max Ripple (Amps) @ 85°C, 10kHz	Part Description
---------------------------	---------------	---------------------------------	------------------------------------	------------------

<b>40 WVDC; 50 VDC SURGE</b>				
------------------------------	--	--	--	--

160	1/2 X 1	0.171	1.20	DVPR161U040E1A
240	1/2 X 1-1/4	0.114	1.61	DVPR241U040E1E
360	1/2 X 1-5/8	0.091	2.05	DVPR361U04031L
540	3/4 X 1-5/8	0.061	3.13	DVPR541U040J1L
760	7/8 X 1-5/8	0.043	4.06	DVPR761U040L1L
850	3/4 X 2-1/8	0.038	4.48	DVPR851U040J2C
1000	1 X 1-5/8	0.033	5.00	DVPR102U040N1L
1100	3/4 X 2-5/8	0.030	5.56	DVPR112U040J2L
1200	7/8 X 2-1/8	0.028	5.67	DVPR122U040L2C
1300	3/4 X 3-1/8	0.026	6.48	DVPR132U040J3C
1600	7/8 X 2-5/8	0.021	7.22	DVPR162U040L2L
1600	1 X 2-1/8	0.021	7.05	DVPR162U040N2C
2000	7/8 X 3-1/8	0.018	8.45	DVPR202U040L3C
2200	1 X 2-5/8	0.016	8.89	DVPR222U040N2L
2800	1 X 3-1/8	0.013	10.68	DVPR282U040N3C
3300	1 X 3-5/8	0.012	11.92	DVPR332U040N3L

<b>50 WVDC; 65 VDC SURGE</b>				
------------------------------	--	--	--	--

110	1/2 X 1	0.317	0.88	DVPR111U050E1A
160	1/2 X 1-1/4	0.218	1.16	DVPR161U050E1E
250	1/2 X 1-5/8	0.139	1.66	DVPR251U050E1L
420	3/4 X 1-5/8	0.056	2.92	DVPR421U050J1L
600	7/8 X 1-5/8	0.039	3.81	DVPR601U050L1L
630	3/4 X 2-1/8	0.037	4.04	DVPR631U050J2C
810	1 X 1-5/8	0.029	4.77	DVPR811U050N1L
840	3/4 X 2-5/8	0.028	5.15	DVPR841U050J2L
900	7/8 X 2-1/8	0.026	5.26	DVPR901U050L2C
960	3/4 X 3-1/8	0.024	5.97	DVPR961U050J3C
1200	7/8 X 2-5/8	0.020	6.68	DVPR122U050L2L
1200	1 X 2-1/8	0.020	6.53	DVPR122U050N2C
1400	7/8 X 3-1/8	0.017	7.83	DVPR142U050L3C
1600	1 X 2-5/8	0.015	8.30	DVPR162U050N2L
2000	1 X 3-1/8	0.012	10.05	DVPR202U050N3C
2400	1 X 3-5/8	0.010	11.80	DVPR242U050N3L

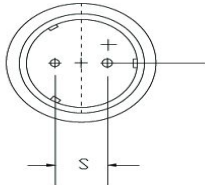
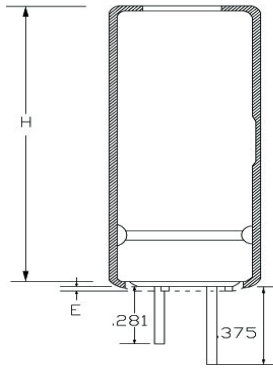
Capacitance ( $\mu$ F)	Size (inches)	Max ESR (Ohms) @ 25°C, 10kHz	Max Ripple (Amps) @ 85°C, 10kHz	Part Description
<b>100 WVDC; 125 VDC SURGE</b>				
62	1/2 X 1	0.489	0.71	DVPR620U075E1A
93	1/2 X 1-1/4	0.326	0.90	DVPR930U075E1E
140	1/2 X 1-5/8	0.216	1.33	DVPR141U075E1L
230	3/4 X 1-5/8	0.102	2.16	DVPR231U075J1L
330	7/8 X 1-5/8	0.071	2.82	DVPR331U075L1L
350	3/4 X 2-1/8	0.067	3.01	DVPR351U075J2C
450	1 X 1-5/8	0.052	3.55	DVPR451U075N1L
470	3/4 X 2-5/8	0.050	3.85	DVPR471U075J2L
500	7/8 X 2-1/8	0.047	3.92	DVPR501U075L2C
540	3/4 X 3-1/8	0.044	4.48	DVPR541U075J3C
670	7/8 X 2-5/8	0.035	4.99	DVPR671U075L2L
680	1 X 2-1/8	0.035	4.92	DVPR681U075N2C
810	7/8 X 3-1/8	0.029	5.96	DVPR811U075L3C
900	1 X 2-5/8	0.026	6.22	DVPR901U075N2L
1100	1 X 3-1/8	0.021	7.45	DVPR112U075N3C
1300	1 X 3-5/8	0.018	8.68	DVPR132U075N3L
34	1/2 X 1	0.865	0.53	DVPR340U100E1A
52	1/2 X 1-1/4	0.565	0.73	DVPR520U100E1E
78	1/2 X 1-5/8	0.377	1.01	DVPR780U100E1L
130	3/4 X 1-5/8	0.226	1.63	DVPR131U100J1L
180	7/8 X 1-5/8	0.163	2.08	DVPR181U100L1L
190	3/4 X 2-1/8	0.155	2.22	DVPR191U100J2C
250	1 X 1-5/8	0.117	2.65	DVPR251U100N1L
260	3/4 X 2-5/8	0.113	2.86	DVPR261U100J2L
280	7/8 X 2-1/8	0.105	2.93	DVPR281U100L2C
300	3/4 X 3-1/8	0.098	3.34	DVPR301U100J3C
360	3/4 X 3-5/8	0.082	3.92	DVPR361U100J3L
370	7/8 X 2-5/8	0.079	3.71	DVPR371U100L2L
380	1 X 2-1/8	0.077	3.67	DVPR381U100N2C
450	7/8 X 2-1/8	0.065	4.44	DVPR451U100L3C
500	1 X 2-5/8	0.059	4.64	DVPR501U100N2L
540	7/8 X 3-5/8	0.054	5.21	DVPR541U100L3L
630	1 X 3-1/8	0.047	5.64	DVPR631U100N3C



# Lead Configurations

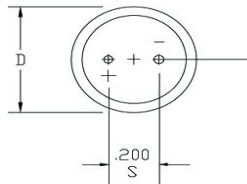
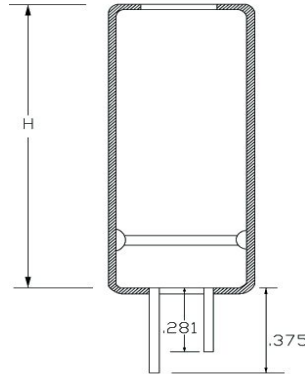
**Figure A (Standard)**

(3/4", 7/8", 1"DIA)



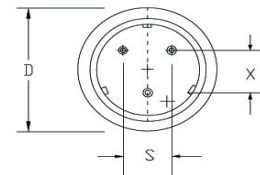
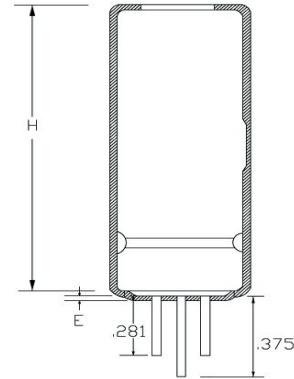
**Figure C (Standard)**

(1/2"DIA ONLY)



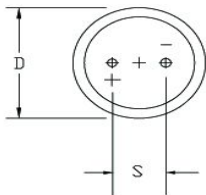
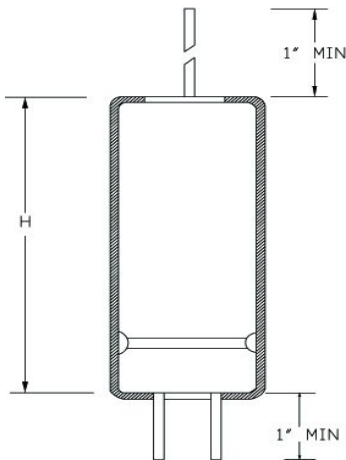
**Figure B (Special)**

(3/4", 7/8", 1"DIA)



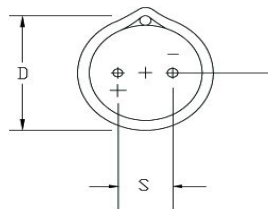
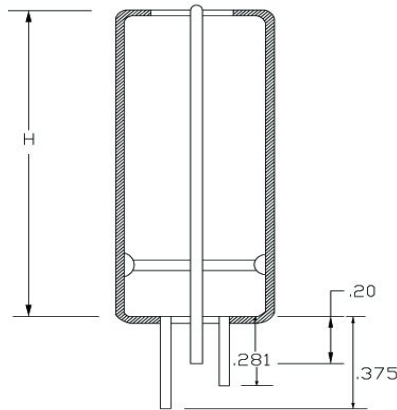
**Figure J (Special)**

(1/2", 3/4", 7/8", 1"DIA)



**Figure T (Special)**

(1/2", 3/4", 7/8", 1"DIA ONLY)





Capacitance ( $\mu$ F)	Size (inches)	Max ESR (Ohms) @ 25°C, 10kHz	Max Ripple (Amps) @ 85°C, 10kHz	Part Description
---------------------------	---------------	---------------------------------	------------------------------------	------------------

<b>6.3 WVDC; 8 VDC SURGE</b>				
------------------------------	--	--	--	--

880	1/2 X 1	0.121	1.43	DVPR881U6R3E1A
1300	1/2 X 1-1/4	0.084	1.87	DVPR132U6R3E1E
2900	3/4 X 1-5/8	0.050	3.46	DVPR292U6R3J1L
4100	7/8 X 1-5/8	0.038	4.32	DVPR412U6R3L1L
4600	3/4 X 2-1/8	0.035	4.67	DVPR462U6R3J2C
5600	1 X 1-5/8	0.030	5.24	DVPR562U6R3N1L
5700	3/4 X 2-5/8	0.030	5.56	DVPR572U6R3J2L
6500	7/8 X 2-1/8	0.027	5.78	DVPR652U6R3L2C
7200	3/4 X 3-1/8	0.026	6.48	DVPR722U6R3J3C
8600	7/8 X 2-5/8	0.023	6.90	DVPR862U6R3L2L
8800	1 X 2-1/8	0.023	6.74	DVPR882U6R3N2C
10000	7/8 X 3-1/8	0.021	7.83	DVPR103U6R3L3C
12000	1 X 2-5/8	0.019	8.16	DVPR123U6R3N2L
15000	1 X 3-1/8	0.017	9.34	DVPR153U6R3N3C
18000	1 X 3-5/8	0.016	10.32	DVPR183U6R3N3L

<b>7 WVDC; 9 VDC SURGE</b>				
----------------------------	--	--	--	--

780	1/2 X 1	0.117	1.45	DVPR781U7R5E1A
1100	1/2 X 1-1/4	0.084	1.87	DVPR112U7R5E1E
1700	1/2 X 1-5/8	0.057	2.59	DVPR172U7R5E1L
2600	3/4 X 1-5/8	0.047	3.57	DVPR262U7R5J1L
3700	7/8 X 1-5/8	0.035	4.50	DVPR372U7R5L1L
4000	3/4 X 2-1/8	0.033	4.81	DVPR402U7R5J2C
4900	1 X 1-5/8	0.029	5.33	DVPR492U7R5N1L
5100	3/4 X 2-5/8	0.028	5.76	DVPR512U7R5J2L
5800	7/8 X 2-1/8	0.025	6.00	DVPR582U7R5L2C
6400	3/4 X 3-1/8	0.024	6.75	DVPR642U7R5J3C
7600	7/8 X 2-5/8	0.021	7.22	DVPR762U7R5L2L
7800	1 X 2-1/8	0.021	7.05	DVPR782U7R5N2C
9700	7/8 X 3-1/8	0.018	8.45	DVPR972U7R5L3C
10000	1 X 2-5/8	0.018	8.38	DVPR103U7R5N2L
13000	1 X 3-1/8	0.016	9.63	DVPR133U7R5N3C
16000	1 X 3-5/8	0.014	11.03	DVPR163U7R5N3L

Capacitance ( $\mu$ F)	Size (inches)	Max ESR (Ohms) @ 25°C, 10kHz	Max Ripple (Amps) @ 85°C, 10kHz	Part Description
---------------------------	---------------	---------------------------------	------------------------------------	------------------

<b>10 WVDC; 12 VDC SURGE</b>				
------------------------------	--	--	--	--

660	1/2 X 1	0.115	1.47	DVPR661U010E1A
990	1/2 X 1-1/4	0.076	1.97	DVPR991U010E1E
1400	1/2 X 1-5/8	0.056	2.61	DVPR142U010E1L
2100	3/4 X 1-5/8	0.047	3.57	DVPR212U010J1L
3100	7/8 X 1-5/8	0.034	4.57	DVPR312U010L1L
3400	3/4 X 2-1/8	0.031	4.96	DVPR342U010J2C
4200	1 X 1-5/8	0.027	5.53	DVPR422U010N1L
4300	3/4 X 2-5/8	0.026	5.97	DVPR432U010J2L
4900	7/8 X 2-1/8	0.024	6.13	DVPR492U010L2C
5400	3/4 X 3-1/8	0.022	7.05	DVPR542U010J3C
6400	7/8 X 2-5/8	0.020	7.40	DVPR642U010L2L
6600	1 X 2-1/8	0.019	7.41	DVPR662U010N2C
8200	7/8 X 3-1/8	0.017	8.70	DVPR822U010L3C
9000	1 X 2-5/8	0.016	8.89	DVPR902U010N2L
11000	1 X 3-1/8	0.014	10.30	DVPR113U010N3C
13000	1 X 3-5/8	0.013	11.45	DVPR133U010N3L

<b>12 WVDC; 15 VDC SURGE</b>				
------------------------------	--	--	--	--

560	1/2 X 1	0.116	1.46	DVPR561U012E1A
1200	1/2 X 1-5/8	0.055	2.64	DVPR122U012E1L
1500	7/8 X 1-1/8	0.054	3.09	DVPR152U012L1C
1800	3/4 X 1-5/8	0.046	3.60	DVPR182U012J1L
2600	7/8 X 1-5/8	0.033	4.64	DVPR262U012L1L
2900	3/4 X 2-1/8	0.030	5.04	DVPR292U012J2C
3600	3/4 X 2-5/8	0.026	5.97	DVPR362U012J2L
3600	1 X 1-5/8	0.026	5.63	DVPR362U012N1L
4200	7/8 X 2-1/8	0.023	6.26	DVPR422U012L2C
4600	3/4 X 3-1/8	0.021	7.21	DVPR462U012J3C
5500	7/8 X 2-5/8	0.019	7.59	DVPR552U012L2L
5600	1 X 2-1/8	0.018	7.67	DVPR562U012N2C
7000	7/8 X 3-1/8	0.016	8.97	DVPR702U012L3C
7700	1 X 2-5/8	0.015	9.18	DVPR772U012N2L
8500	7/8 X 3-5/8	0.014	10.28	DVPR852U012L3L
9800	1 X 3-1/8	0.013	10.68	DVPR982U012N3C
11000	1 X 3-5/8	0.012	11.92	DVPR113U012N3L

Capacitance ( $\mu$ F)	Size (inches)	Max ESR (Ohms) @ 25°C, 10kHz	Max Ripple (Amps) @ 85°C, 10kHz	Part Description
<b>16 WVDC; 20 VDC SURGE</b>				
500	1/2 X 1	0.110	1.50	DVPR501U016E1A
1600	3/4 X 1-5/8	0.043	3.73	DVPR162U016J1L
2300	7/8 X 1-5/8	0.031	4.78	DVPR232U016L1L
2600	3/4 X 2-1/8	0.028	5.22	DVPR262U016J2C
3200	3/4 X 2-5/8	0.024	6.22	DVPR322U016J2L
3200	1 X 1-5/8	0.024	5.86	DVPR322U016N1L
3700	7/8 X 2-1/8	0.021	6.55	DVPR372U016L2C
4100	3/4 X 3-1/8	0.020	7.39	DVPR412U016J3C
4900	7/8 X 2-5/8	0.017	8.02	DVPR492U016L2L
5000	1 X 2-1/8	0.017	7.84	DVPR502U016N2C
6200	7/8 X 3-1/8	0.015	9.26	DVPR622U016L3C
6900	1 X 2-5/8	0.014	9.50	DVPR692U016N2L
8700	1 X 3-1/8	0.012	11.12	DVPR872U016N3C
10000	1 X 3-5/8	0.011	12.45	DVPR103U016N3L

<b>25 WVDC; 30 VDC SURGE</b>				
640	1/2 X 1-5/8	0.067	2.39	DVPR641U025E1L
940	3/4 X 1-5/8	0.054	3.33	DVPR941U025J1L
1300	7/8 X 1-5/8	0.040	4.21	DVPR132U025L1L
1400	3/4 X 2-1/8	0.038	4.48	DVPR142U025J2C
1800	3/4 X 2-5/8	0.030	5.56	DVPR182U025J2L
1800	1 X 1-5/8	0.030	5.24	DVPR182U025N1L
2100	7/8 X 2-1/8	0.026	5.89	DVPR212U025L2C
2300	3/4 X 3-1/8	0.024	6.75	DVPR232U025232
2800	7/8 X 2-5/8	0.021	7.22	DVPR282U025L2L
2800	1 X 2-1/8	0.021	7.05	DVPR282U025N2C
3500	7/8 X 3-1/8	0.017	8.70	DVPR352U025L3C
3900	1 X 2-5/8	0.016	8.89	DVPR392U025N2L
4900	1 X 3-1/8	0.013	10.68	DVPR492U025N3C

Capacitance ( $\mu$ F)	Size (inches)	Max ESR (Ohms) @ 25°C, 10kHz	Max Ripple (Amps) @ 85°C, 10kHz	Part Description
---------------------------	---------------	---------------------------------	------------------------------------	------------------

40 WVDC; 50 VDC SURGE				
-----------------------	--	--	--	--

160	1/2 X 1	0.171	1.20	DVPR161U040E1A
240	1/2 X 1-1/4	0.114	1.61	DVPR241U040E1E
360	1/2 X 1-5/8	0.091	2.05	DVPR361U04031L
540	3/4 X 1-5/8	0.061	3.13	DVPR541U040J1L
760	7/8 X 1-5/8	0.043	4.06	DVPR761U040L1L
850	3/4 X 2-1/8	0.038	4.48	DVPR851U040J2C
1000	1 X 1-5/8	0.033	5.00	DVPR102U040N1L
1100	3/4 X 2-5/8	0.030	5.56	DVPR112U040J2L
1200	7/8 X 2-1/8	0.028	5.67	DVPR122U040L2C
1300	3/4 X 3-1/8	0.026	6.48	DVPR132U040J3C
1600	7/8 X 2-5/8	0.021	7.22	DVPR162U040L2L
1600	1 X 2-1/8	0.021	7.05	DVPR162U040N2C
2000	7/8 X 3-1/8	0.018	8.45	DVPR202U040L3C
2200	1 X 2-5/8	0.016	8.89	DVPR222U040N2L
2800	1 X 3-1/8	0.013	10.68	DVPR282U040N3C
3300	1 X 3-5/8	0.012	11.92	DVPR332U040N3L

50 WVDC; 65 VDC SURGE				
-----------------------	--	--	--	--

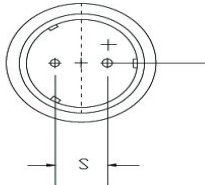
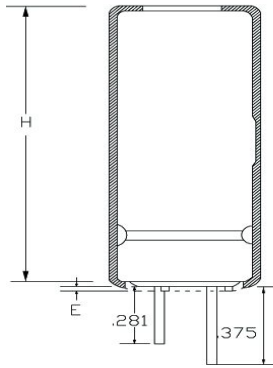
110	1/2 X 1	0.317	0.88	DVPR111U050E1A
160	1/2 X 1-1/4	0.218	1.16	DVPR161U050E1E
250	1/2 X 1-5/8	0.139	1.66	DVPR251U050E1L
420	3/4 X 1-5/8	0.056	2.92	DVPR421U050J1L
600	7/8 X 1-5/8	0.039	3.81	DVPR601U050L1L
630	3/4 X 2-1/8	0.037	4.04	DVPR631U050J2C
810	1 X 1-5/8	0.029	4.77	DVPR811U050N1L
840	3/4 X 2-5/8	0.028	5.15	DVPR841U050J2L
900	7/8 X 2-1/8	0.026	5.26	DVPR901U050L2C
960	3/4 X 3-1/8	0.024	5.97	DVPR961U050J3C
1200	7/8 X 2-5/8	0.020	6.68	DVPR122U050L2L
1200	1 X 2-1/8	0.020	6.53	DVPR122U050N2C
1400	7/8 X 3-1/8	0.017	7.83	DVPR142U050L3C
1600	1 X 2-5/8	0.015	8.30	DVPR162U050N2L
2000	1 X 3-1/8	0.012	10.05	DVPR202U050N3C
2400	1 X 3-5/8	0.010	11.80	DVPR242U050N3L

Capacitance ( $\mu$ F)	Size (inches)	Max ESR (Ohms) @ 25°C, 10kHz	Max Ripple (Amps) @ 85°C, 10kHz	Part Description
<b>100 WVDC; 125 VDC SURGE</b>				
62	1/2 X 1	0.489	0.71	DVPR620U075E1A
93	1/2 X 1-1/4	0.326	0.90	DVPR930U075E1E
140	1/2 X 1-5/8	0.216	1.33	DVPR141U075E1L
230	3/4 X 1-5/8	0.102	2.16	DVPR231U075J1L
330	7/8 X 1-5/8	0.071	2.82	DVPR331U075L1L
350	3/4 X 2-1/8	0.067	3.01	DVPR351U075J2C
450	1 X 1-5/8	0.052	3.55	DVPR451U075N1L
470	3/4 X 2-5/8	0.050	3.85	DVPR471U075J2L
500	7/8 X 2-1/8	0.047	3.92	DVPR501U075L2C
540	3/4 X 3-1/8	0.044	4.48	DVPR541U075J3C
670	7/8 X 2-5/8	0.035	4.99	DVPR671U075L2L
680	1 X 2-1/8	0.035	4.92	DVPR681U075N2C
810	7/8 X 3-1/8	0.029	5.96	DVPR811U075L3C
900	1 X 2-5/8	0.026	6.22	DVPR901U075N2L
1100	1 X 3-1/8	0.021	7.45	DVPR112U075N3C
1300	1 X 3-5/8	0.018	8.68	DVPR132U075N3L
34	1/2 X 1	0.865	0.53	DVPR340U100E1A
52	1/2 X 1-1/4	0.565	0.73	DVPR520U100E1E
78	1/2 X 1-5/8	0.377	1.01	DVPR780U100E1L
130	3/4 X 1-5/8	0.226	1.63	DVPR131U100J1L
180	7/8 X 1-5/8	0.163	2.08	DVPR181U100L1L
190	3/4 X 2-1/8	0.155	2.22	DVPR191U100J2C
250	1 X 1-5/8	0.117	2.65	DVPR251U100N1L
260	3/4 X 2-5/8	0.113	2.86	DVPR261U100J2L
280	7/8 X 2-1/8	0.105	2.93	DVPR281U100L2C
300	3/4 X 3-1/8	0.098	3.34	DVPR301U100J3C
360	3/4 X 3-5/8	0.082	3.92	DVPR361U100J3L
370	7/8 X 2-5/8	0.079	3.71	DVPR371U100L2L
380	1 X 2-1/8	0.077	3.67	DVPR381U100N2C
450	7/8 X 2-1/8	0.065	4.44	DVPR451U100L3C
500	1 X 2-5/8	0.059	4.64	DVPR501U100N2L
540	7/8 X 3-5/8	0.054	5.21	DVPR541U100L3L
630	1 X 3-1/8	0.047	5.64	DVPR631U100N3C

# Lead Configurations

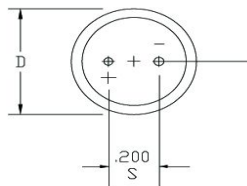
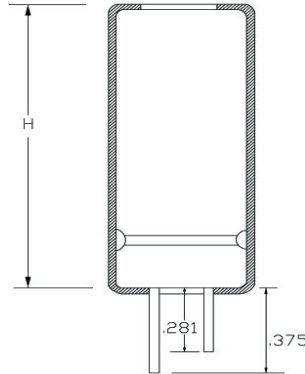
**Figure A (Standard)**

<3/4", 7/8", 1"DIA>



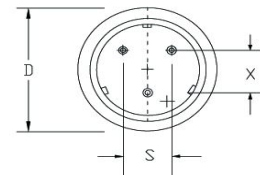
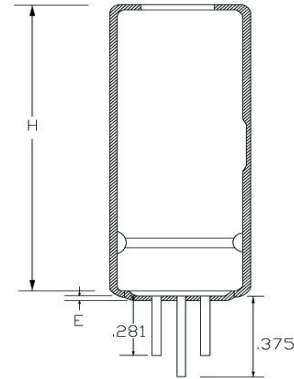
**Figure C (Standard)**

<1/2"DIA ONLY>



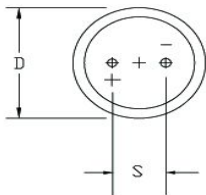
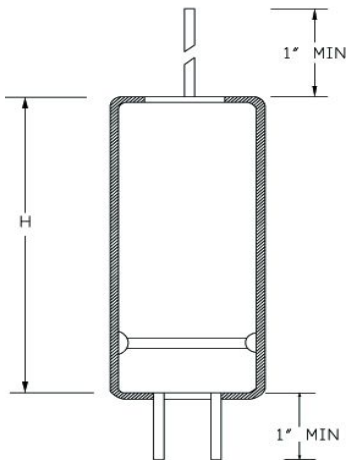
**Figure B (Special)**

<3/4", 7/8", 1"DIA>



**Figure J (Special)**

<1/2", 3/4", 7/8", 1"DIA>



**Figure T (Special)**

<1/2", 3/4", 7/8", 1"DIA ONLY>

