

EASB - Extreme Application Strobe, Aluminum Electrolytic Capacitors



- High Energy Storage, Screw Terminals
- 65°C Operation
- Suitable for Use in Strobe Applications

General Specifications

Operating Temperature:

-40°C to +65°C

Voltage Range:

150 WVDC to 500 WVDC

Capacitance Range:

5 μ F to 1200 μ F

Capacitance Tolerance:

-10% +20%;

QA Stability Test:

Apply WVDC for 1000 hours at 65°C

- Capacitance change \leq 15% from initial limits
- DC leakage current meets initial limits
- ESR \leq 175% of initial measured value

DuraCap International, Inc
P.O. Box 1579 Woodstock, Ontario
N4S 0A7 Canada

Phone: (519) 539-4891
Fax: (519) 539-6684
<http://www.duracap.com/>

Types EAP, EAW, EAN, EAF, EASB, EAL

Part Number Information

DuraCap Catalog Number **EAP 184 U 010 X3L (3 P H) [-S]**

TYPE: _____
Identifies the basic type
EAP, EAW, EAN, EAF, EASB, EAL

CAPACITANCE: _____
Expressed in microfarads
The first two digits are significant figures
The third digit is the number of zeros

CAPACITANCE TOLERANCE: _____
F = -0 / +30% **R** = -15 / +15% **U** = -10 / +75%
G = -0 / +50% **S** = -10 / +30% **X** = -10 / +20%
M = -20 / +20% **T** = -10 / +50% **Z** = -10 / +10%

DC VOLTAGE RATING: _____
Zeros are used to precede the voltage rating where necessary to complete the three digit block
The letter 'R' indicates a decimal point

CASE CODE: _____
See chart on next page

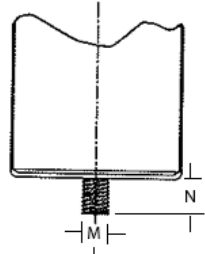
INSULATING SLEEVE: _____
 0 = No sleeve
 1 = Mylar (Polyester)
 3 = Single Layer PVC - .008" thickness
 7 = Double Layer .008" PVC (.016" total thickness)
 8 = Blue PVC - .012" thickness

POLARITY: _____
P = Polar **S** = Semi-Polar **N** = Non-Polar

TERMINAL: _____

- H = High Post
- L = Low Post
- V = Printed Circuit Mount
- D = Low Post, Low Resistance Screw Mount (1/4 - 28 Thread)
- F = High Post Metric Thread
- G = Low Post Metric Thread
- N = High Post, Low Resistance Screw Mount (1/4 - 28 Thread)
- S = Stud Mount (see chart below)

CAN DIAMETER	M THREAD	N INCH	N MM
1.375	M8	.472	12
1.750	M8	.472	12
2.000	M12	.630	16
2.500	M12	.630	16
3.000	M12	.630	16
3.500	M12	.630	16

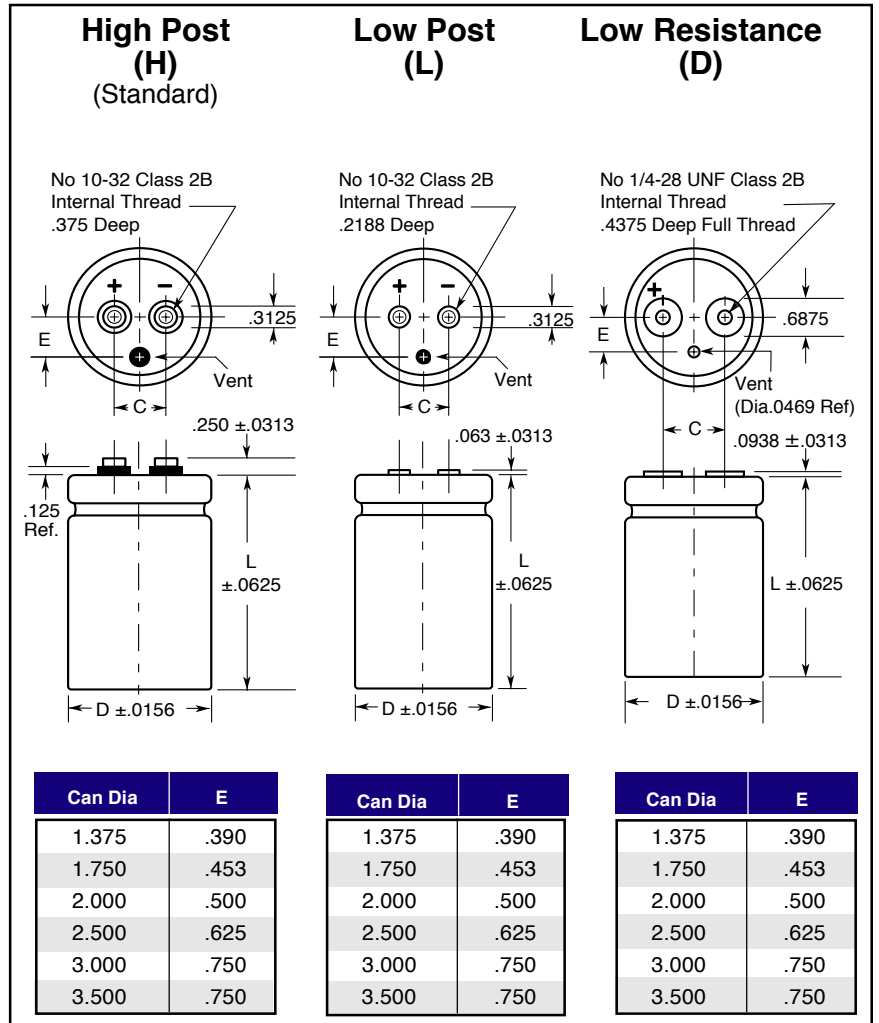


STUDED CAN CROSS SECTION DETAIL

Type EASB Dimensions and Size Charts

Case Code Chart

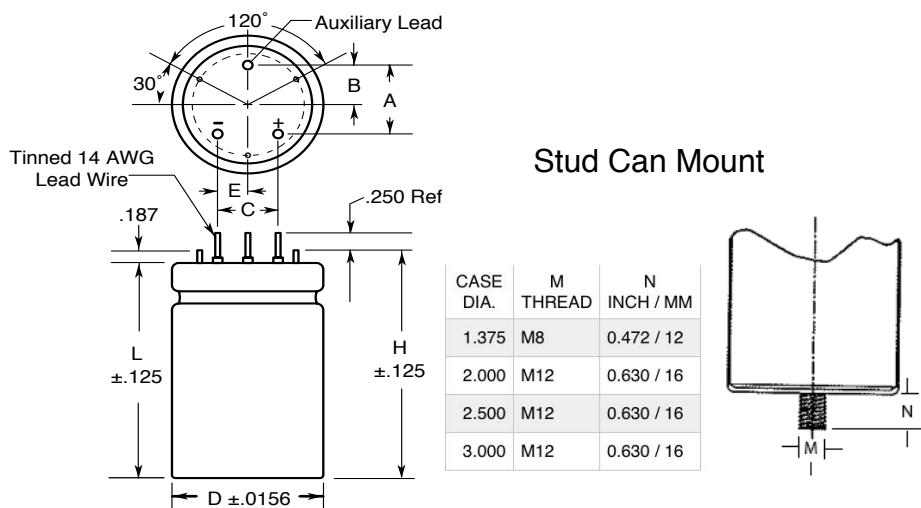
Text Case Code	Uninsulated Can						Mounting Bracket
	Inches		mm		Inches	mm	
D	L	D	L	C	C		
R2C	1.375	2.125	35	54	.500	12.7	VR3
R2L	1.375	2.625	35	67	.500	12.7	VR3
R3C	1.375	3.125	35	79.4	.500	12.7	VR3
R3L	1.375	3.625	35	92	.500	12.7	VR3
R4C	1.375	4.125	35	105	.500	12.7	VR3
R4L	1.375	4.625	35	117.5	.500	12.7	VR3
R5C	1.375	5.125	35	130	.500	12.7	VR3
R5L	1.375	5.625	35	143	.500	12.7	VR3
U2C	1.750	2.125	44.5	54	.750	19	VR6
U2L	1.750	2.625	44.5	67	.750	19	VR6
U3C	1.750	3.125	44.5	79.4	.750	19	VR6
U3L	1.750	3.625	44.5	92	.750	19	VR6
U4C	1.750	4.125	44.5	105	.750	19	VR6
U4L	1.750	4.625	44.5	117.5	.750	19	VR6
U5C	1.750	5.125	44.5	130	.750	19	VR6
U5L	1.750	5.625	44.5	143	.750	19	VR6
V2C	2.000	2.125	50.8	54	.875	22.2	VR8
V2L	2.000	2.625	50.8	67	.875	22.2	VR8
V3C	2.000	3.125	50.8	79.4	.875	22.2	VR8
V3L	2.000	3.625	50.8	92	.875	22.2	VR8
V4C	2.000	4.125	50.8	105	.875	22.2	VR8
V4L	2.000	4.625	50.8	117.5	.875	22.2	VR8
V5C	2.000	5.125	50.8	130	.875	22.2	VR8
V5L	2.000	5.625	50.8	143	.875	22.2	VR8
W3C	2.500	3.125	63.5	79.4	1.125	28.6	VR10
W3L	2.500	3.625	63.5	92	1.125	28.6	VR10
W4C	2.500	4.125	63.5	105	1.125	28.6	VR10
W4L	2.500	4.625	63.5	117.5	1.125	28.6	VR10
W5C	2.500	5.125	63.5	130	1.125	28.6	VR10
W5L	2.500	5.625	63.5	143	1.125	28.6	VR10
X3L	3.000	3.625	76.2	92	1.250	31.7	VR12
X4C	3.000	4.125	76.2	105	1.250	31.7	VR12
X4L	3.000	4.625	76.2	117.5	1.250	31.7	VR12
X5C	3.000	5.125	76.2	130	1.250	31.7	VR12
X5L	3.000	5.625	76.2	143	1.250	31.7	VR12
X5R	3.000	5.875	76.2	149	1.250	31.7	VR12
X6L	3.000	6.625	76.2	168	1.250	31.7	VR12
X7L	3.000	7.625	76.2	194	1.250	31.7	VR12
X8L	3.000	8.625	76.2	219	1.250	31.7	VR12
Y3L	3.500	3.625	88.9	92	1.25	31.7	N/A
Y4C	3.500	4.125	88.9	105	1.25	31.7	N/A
Y4L	3.500	4.625	88.9	117.5	1.25	31.7	N/A
Y5C	3.500	5.125	88.9	130	1.25	31.7	N/A
Y5L	3.500	5.625	88.9	143	1.25	31.7	N/A
Y5R	3.500	5.875	88.9	149	1.25	31.7	N/A
Y6L	3.500	6.625	88.9	168	1.25	31.7	N/A
Y7L	3.500	7.625	88.9	194	1.25	31.7	N/A
Y8L	3.500	8.625	88.9	219	1.25	31.7	N/A



Add .015 inches to diameter and .045 inches to length for PVC insulating sleeve.

PC Mounting Board Dimensions

Case Code	Uninsulated Can						
	Inches						
D	L	H	A	B	C	E	
R1N	1.375	1.750	1.937	.550	.375	.500	.250
R2C	1.375	2.125	2.312	.550	.375	.500	.250
R2L	1.375	2.625	2.812	.550	.375	.500	.250
R3C	1.375	3.125	3.312	.550	.375	.500	.250
R3L	1.375	3.625	3.812	.550	.375	.500	.250
R4C	1.375	4.125	4.312	.550	.375	.500	.250
R4L	1.375	4.625	4.812	.550	.375	.500	.250
R5C	1.375	5.125	5.312	.550	.375	.500	.250
R5L	1.375	5.625	5.812	.550	.375	.500	.250
V2C	2.000	2.125	2.312	1.000	.575	.800	.400
V2L	2.000	2.625	2.812	1.000	.575	.800	.400
V3C	2.000	3.125	3.312	1.000	.575	.800	.400
V3L	2.000	3.625	3.812	1.000	.575	.800	.400
V4C	2.000	4.125	4.312	1.000	.575	.800	.400
V4L	2.000	4.625	4.812	1.000	.575	.800	.400
V5C	2.000	5.125	5.312	1.000	.575	.800	.400
V5L	2.000	5.625	5.812	1.000	.575	.800	.400



Capacitance (µF)	Diameter	Length	Part Description	Terminal
------------------	----------	--------	------------------	----------

250 WVDC; 300 VDC Surge

100	1.200	2.000	EASB101X250B2O3PB	2 wire lead
-----	-------	-------	-------------------	-------------

300 WVDC; 350 VDC Surge

165	1.375	2.125	EASB161X300R2C3PH	HP 10-32
260	1.375	2.625	EASB261X300R2L3PL	LP 10-32
260	1.375	3.625	EASB261X300R3L3PL	LP 10-32
270	1.375	2.625	EASB271X300R2L3PL	LP 10-32
300	1.375	3.625	EASB301X300R3L3PL	LP 10-32
420	1.375	3.625	EASB421X300R3L3PL	LP 10-32
500	1.375	3.125	EASB501X300R3C3PH	HP 10-32
1200	2.000	3.563	EASB122X300V3K3PL	LP 10-32
1200	2.000	3.625	EASB122X300V3L3PL	LP 10-32

350 WVDC; 400 VDC Surge

22	1.000	1.750	EASB220X350N1N3PB	2 wire lead
200	1.375	2.625	EASB201X350R2L3PL	LP 10-32
500	1.375	3.125	EASB501X350R3C3PC	3 wire lead

360 WVDC; 400 VDC Surge

47	0.875	3.375	EASB470X360L1G3PB	2 wire lead
60	1.000	2.000	EASB600X360N2O3PB	2 wire lead
65	1.000	2.000	EASB650X360N2O3PB	2 wire lead
80	0.875	1.875	EASB800X360L1R3PB	2 wire lead
80	1.000	1.375	EASB800X360N1G3PB	2 wire lead
80	1.000	3.375	EASB800X360N3G3PB	2 wire lead
80	1.000	2.125	EASB800X360N2C3PB	2 wire lead
85	1.200	2.000	EASB850X360B2O3PB	2 wire lead
100	1.000	2.625	EASB100X360N2L3PB	2 wire lead
100	1.375	2.125	EASB101X360R2C3PL	LP 10-32
120	1.200	2.000	EASB121X360B2O3PB	2 wire lead
120	1.000	2.625	EASB121X360N2L3PB	2 wire lead
120	1.000	2.000	EASB121X360N2O3PB	2 wire lead
120	1.375	3.375	EASB121X360R1G3PR	Radial snap
120	1.375	2.125	EASB121X360R2C3PL	LP 10-32
135	1.375	2.125	EASB1350X360R2C3PL	LP 10-32
150	1.200	2.500	EASB151X360B2J3PB	2 wire lead

DuraCap International Inc.
 P.O. Box 1579 Woodstock, Ontario
 N4S 0A7 Canada

Phone: (519) 539-4891
Fax: (519) 539-6684
<http://www.duracap.com/>

Capacitance (µF)	Diameter	Length	Part Description	Terminal
150	1.200	2.000	EASB151X360B2O3PB	2 wire lead
200	1.000	3.625	EASB201R360N3L3PB	2 wire lead
200	1.200	2.438	EASB201X360B2H3PB	2 wire lead
200	1.200	2.500	EASB201X360B2J3PB	2 wire lead
200	1.200	2.625	EASB201X360B2L3PB	2 wire lead
200	1.200	2.000	EASB201X360B2O3PB	2 wire lead
200	1.000	2.625	EASB201X360N2L3PB	2 wire lead
200	1.375	2.313	EASB201X360R2F3PB	2 wire lead
200	1.375	2.625	EASB201X360R2L3PL	LP 10-32
240	1.200	2.500	EASB241X360B2J3PB	2 wire lead
260	1.375	3.125	EASB261X360R3C3PL	LP 10-32
300	1.375	2.625	EASB301X360R2L3PL	LP 10-32
300	1.375	3.125	EASB301X360R3C3PL	LP 10-32
400	1.200	3.250	EASB401X360B3E3PB	2 wire lead
400	1.200	3.375	EASB401X360B3G3PB	2 wire lead
400	1.200	3.500	EASB401X360B3J3PB	2 wire lead
400	1.375	3.625	EASB401X360R3L3PH	HP 10-32

400 WVDC; 450 VDC Surge

55	1.200	2.000	EASB550X400B2O3PB	2 wire lead
100	1.200	2.000	EASB101X400B2O3PB	2 wire lead
150	1.750	4.125	EASB151X400U4C3NH	HP 10-32
270	1.375	4.125	EASB271X400R4C3PH	HP 10-32

420 WVDC; 500 VDC Surge

150	1.200	3.000	EASB151X420B3O3PB	2 wire lead
165	1.375	2.625	EASB1650X420R2L3PL	LP 10-32
240	1.200	2.500	EASB241X420B2J3PB	2 wire lead
330	1.375	3.000	EASB331X420R3O3PL	LP 10-32

425 WVDC; 525 VDC Surge

100	1.000	2.625	EASB101R425N2L3PB	2 wire lead
100	1.375	2.625	EASB101X425R2L3PH	HP 10-32
150	1.375	3.625	EASB151X425R3L3NL	LP 10-32
200	1.375	3.125	EASB201X425R3C3PH	HP 10-32

Capacitance (µF)	Diameter	Length	Part Description	Terminal
450 WVDC; 525 VDC Surge				
22	1.000	1.750	EASB220X450N1N3PB	2 Wire Lead
25	0.875	1.000	EASB250X450L1O3PR	Radial Snap
33	1.000	1.750	EASB330X450N1N3PB	2 wire lead
40	0.875	1.875	EASB400X450L1R3PB	2 Wire Lead
40	1.000	2.000	EASB400X450N2O3PB	2 wire lead
47	0.875	1.625	EASB470X450L1L3PB	2 wire lead
50	1.200	3.375	EASB500X450B1G3PR	Radial snap
50	1.200	2.000	EASB500X450B2O3PR	Radial snap
50	0.875	1.875	EASB500X450L1R3PB	2 wire lead
50	1.000	1.750	EASB500X450N1N3PB	2 wire lead
50	1.000	2.000	EASB500X450N2O3PB	2 wire lead
60	0.750	3.000	EASB600X450L3O3PB	2 wire lead
65	1.375	2.125	EASB650X450R2C7PL	LP 10-32
75	1.200	3.375	EASB750X450B1G3PR	Radial snap
75	1.200	2.000	EASB750X450B2O3PB	2 wire lead
75	1.000	2.625	EASB750X450N2L3PB	2 wire lead
75	1.375	1.875	EASB750X450R1R3PB	2 wire lead
75	1.375	2.125	EASB750X450R2C3PL	LP 10-32
80	1.000	2.625	EASB800X450N2L3PB	2 wire lead
80	1.000	2.000	EASB800X450N2O3PB	2 wire lead
100	1.000	2.625	EASB101R450N2L3PB	2 wire lead
100	1.200	2.500	EASB101X450B2J3PB	2 wire lead
100	1.200	2.000	EASB101X450B2O3PR	Radial snap
100	1.200	3.000	EASB101X450B3O3PB	2 wire lead
100	1.000	2.500	EASB101X450N2J3PB	2 wire lead
100	1.000	2.625	EASB101X450N2L3PA	Axial
100	1.000	2.000	EASB101X450N2O3PB	2 wire lead
100	1.000	3.625	EASB101X450N3L3PB	2 wire lead
120	1.200	2.125	EASB121X450B2C3PB	2 wire lead
120	1.200	2.000	EASB121X450B2O3PB	2 wire lead
120	1.200	3.000	EASB121X450B3O3PB	2 wire lead
120	1.000	2.625	EASB121X450N2L3PB	2 wire lead
125	1.375	2.125	EASB121X450R2C3PL	LP 10-32
130	1.200	3.000	EASB131X450B3O3PB	2 wire lead
135	1.200	2.000	EASB131X450B2O3PB	2 wire lead
140	1.200	2.000	EASB141X450B2O3PB	2 wire lead
140	1.200	3.000	EASB141X450B3O3PB	2 wire lead
140	1.000	3.625	EASB141X450N3L3PB	2 Wire Lead
150	1.200	3.000	EASB151X450B3O3PR	Radial Snap
150	1.000	3.625	EASB151X450N3L3PB	2 wire lead
170	1.375	2.625	EASB171X450R2L3PC	3 wire lead

DuraCap International Inc.
 P.O. Box 1579 Woodstock, Ontario
 N4S 0A7 Canada

Phone: (519) 539-4891
Fax: (519) 539-6684
<http://www.duracap.com/>

Capacitance (µF)	Diameter	Length	Part Description	Terminal
180	1.200	3.000	EASB181X450B3O3PB	2 wire lead
190	1.375	2.625	EASB191X450R2L3PC	3 wire lead
200	1.200	2.500	EASB201X450B2J3PB	2 wire lead
220	1.200	4.125	EASB221X450B4C3PB	2 wire lead
250	1.375	3.125	EASB251X450R3C3PC	3 wire lead

500 WVDC; 535 VDC Surge				
5	1.000	1.750	EASB050X500N1N3PB	2 wire lead
125	1.375	2.125	EASB121X500R2C3PC	3 wire lead
150	1.200	3.000	EASB151X500B3O3PB	2 wire lead
175	1.375	3.625	EASB1750X500R3L3PL	LP 10-32
440	1.750	3.625	EASB441X500U3L3PH	HP 10-32
440	2.000	4.125	EASB441X500V4C3PH	HP 10-32
500	1.750	3.625	EASB501X500U3L3PL	LP 10-32
600	2.000	4.625	EASB601X500V4L3PH	HP 10-32
750	2.000	4.125	EASB751X500V4C3PH	HP 10-32
880	2.000	4.125	EASB881X500V4C3PH	HP 10-32
880	2.000	5.125	EASB881X500V5C3PH	HP 10-32
900	2.000	5.625	EASB901X500V5L3PH	HP 10-32
1000	2.000	4.625	EASB102X500V4L3PH	HP 10-32
1000	2.000	5.625	EASB102X500V5L3PH	HP 10-32
1200	2.000	4.625	EASB122X500V4L3PH	HP 10-32