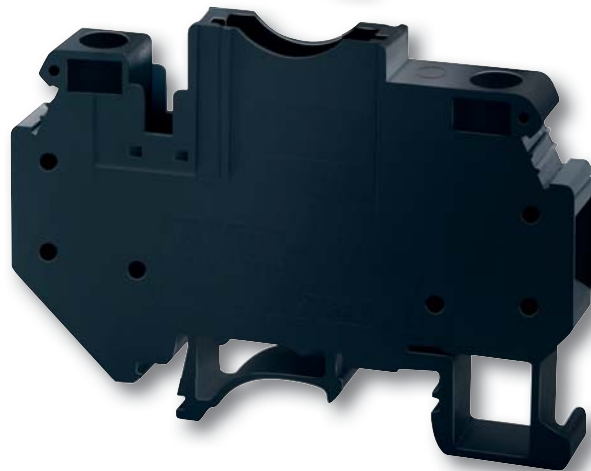


Thermal circuit breaker type 1180

Maximum availability, terminal block mounting



Technical Information

Maximum availability, terminal block mounting

The E-T-A thermal circuit breaker type 1180 reduces stoppages and downtime. In combination with a modular style terminal block the circuit breaker offers individual protection for every circuit. Fuse replacement, with all its associated difficulties, is obviated as the circuit breaker can be immediately reset after operation. During maintenance and

servicing it can also be manually switched off to disconnect the circuit. As the circuit breaker does not need to be removed from the terminal block to achieve this, there is no risk of it being mislaid. The terminal blocks are available with screw terminals or spring-loaded terminals. If visual indication of the tripped/off condition is required, terminal blocks with LEDs are

available to illuminate when the circuit breaker is tripped/off. A special 34 A rated bus or 32 A jumpers are available for the screw terminal or spring-loaded terminal block versions respectively.

Technical data

Voltage ratings	AC 250 V; DC 65 V	
Current rating range	0.1...10 A	
Typical life	3 000 cycles at 1 x rated current	
Rupture capacity I _{cn} at AC 250 V, DC 65 V	0.1...5 A	6 x rated current
	6.0...10 A	8 x rated current
Rupture capacity I _{cn} at DC 30 V	0.1...0.7 A	25 x rated current
	0.8...6 A	10 x rated current
	7...10 A	20 x rated current
Rupture capacity (UL 1077)	AC 250 V/2000 A DC 65 V/200 A	
Width	8.2 mm	
Approvals	VDE, UL, CSA	

Features

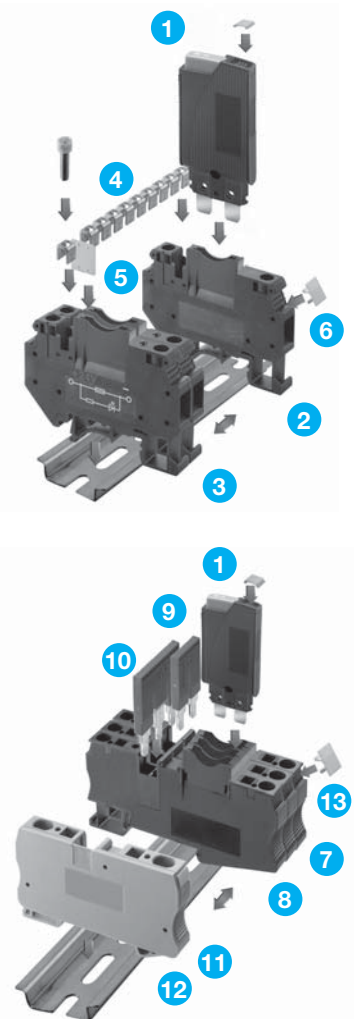
1 Label for circuit breaker 1180 Y 307 374 01

Terminal block with screw terminals

2 Terminal block for DIN rail mounting X 222 233 01
 3 Terminal block for DIN rail mounting with LED DC 24 V X 222 233 02
 4 Bus connection max. 34 A (10pole, separable, mounting hardware included) X 222 232 01
 5 Insulation barrier Y 307 373 01
 6 Label for terminal block Y 307 375 01

Terminal block with spring-loaded terminals

7 Terminal block for DIN rail mounting X 222 316 01
 8 Terminal block for DIN rail mounting with LED DC 24 V X 222 315 02
 9 Jumper 2pole, max. 32 A X 222 318 01
 10 Jumper 3pole, max. 32 A X 222 318 02
 11 Feed supply terminal up to 6 mm² X 222 317 01
 12 Cover for feed supply terminal Y 307 507 01
 13 Label for terminals Y 307 508 01



E-T-A Elektrotechnische Apparate GmbH
 Industriestraße 2-8 · 90518 ALTENDORF
 GERMANY
 Phone: +49 9187 10-0 · Fax: +49 9187 10-397
 E-Mail: info@e-t-a.de · www.e-t-a.com/e