

Series
84
Halo Compact.

www.eao.com



Series 84

Halo Compact.

EAO proudly introduces the new Series 84 Halo Compact – a unique illuminating switch *that innovatively provides the ability of multi-functionality and indication all within a singular unit.*

The new Series 84 Halo Compact provides a simple way to package up to eight different status indications into a single switching unit thus making this multi-functional, illuminated switching element suitable for a wide range of markets including transportation, machinery, specialty vehicles, medical equipment and public environments.

This innovative, all-in-one solution is another option within EAO's award winning Series 84. These switches have the exclusive ability to provide ring illumination of up to five different colors and eight animated patterns surrounding the lens. Additionally, a single, white LED can also be controlled independently to illuminate the center lens.

Added flexibility is provided by the possibility of controlling up to eight different pre-configured lighting sequences. This provides an efficient and effective way to manage multiple functions within a single switching unit.



Typical Applications

- Machinery control panels
- Operator controls in special vehicles
- Medical equipment
- Public information kiosks and vending machines
- Access control and emergency call boxes
- Instruments for audio and video technology
- Many further applications

Materials

- Housing
 - Ixef 1521 nature (PA)
 - Hotmelt (sealing compound)
- Material of contact
 - Silver alloy, gold-plated

The materials used comply with the high EAO standards relating to quality, functional safety, service life and design.

Mechanical characteristics

- Terminals
 - Soldering / plug-in terminals 2.8 x 0.8 mm (solderable)
- Actuating force
 - 4.0N ± 0.2N (measured at the lens)
- Actuating distance
 - ~0.5 mm
- Mechanical lifetime
 - ≥ 1 million cycles of operations

Switching element

- Short-travel snap-action switching system with two independent contact points and tactile operation
- Number of contacts
 - One normal open contact

Output

- Electronic high-side switch

Operating voltage

- 24VDC ± 10 %
- Max. 100 mA

Current consumption

- < 80 mA

Advantages.

- The all-in-one solution for commonest status indications
- Eight pre-configured light sequences
- Five different LED colours (red, green, yellow, white and blue)
- Top of the range version with bi-colour LED illumination
- Integrated electronic switch for maintained action

Degree of protection

- IP67 front protection
(with actuator Part No. 84-1081.7 and 84-0080.7)

Ambient conditions

- Storage temperature
–40°C to +85°C
- Operating temperature
–25°C to +70°C

Pre-configured light sequences

- Full illumination
- Blinking (interval: 1 second)
- Rotating/chasing
(one full rotation per second)
- Process (changeover a group of 4 LEDs per second)

Special feature

Integrated electronic switch for maintained action of illuminated pushbuttons (High-side switch)

LED-colors

All versions available with eight SMD LEDs for halo illumination plus one single LED (3mm) for central illumination. The following variants are available:

- 8 x red LEDs + 1 white single LED
- 8 x green LEDs + 1 white single LED
- 8 x yellow LEDs + 1 white single LED
- 8 x white LEDs + 1 white single LED
- 8 x blue LEDs + 1 white single LED
- 8 x red/green Bi-color LEDs + 1 white single LED

Standards and directives

CE, ESD

Switch Configuration

A complete switch is comprised of a Halo Compact programmable switch actuator body (transparent) and a lens. If the application requires the center lens to be illuminated as well, then a translucent plastic lens or aluminium lens with window is needed separately.

Part Numbers:

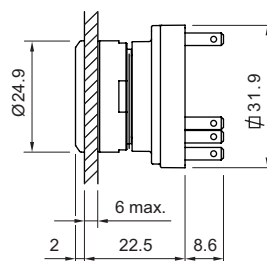
Series 84 Halo Compact with illuminated pushbutton actuator (Part No. 84-1081.7)
Series 84 Halo Compact with indicator actuator (Part No. 84-0080.7).

The illumination style is selected by the connection of 24V to the pins.

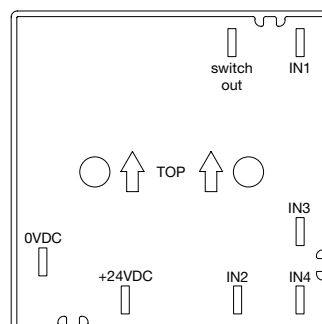
Mounting

Quick and easy to mount: First connect cables to the non-mounted Halo Compact switching element, then plug to actuator (dismounting tool Part No. 84-918).

Dimensions



Terminals



EAO Contact.

Your centre of excellence.

Headquarters

EAO Holding AG
Tannwaldstrasse 88
CH-4600 Olten
Telephone +41 62 286 91 11
info@eao.com

Manufacturing Companies

Switzerland
EAO AG
Tannwaldstrasse 88
CH-4600 Olten
Telephone +41 62 286 91 11
info@eao.com

EAO Systems AG
Tannwaldstrasse 88
CH-4600 Olten
Telephone +41 62 286 91 11
sales.esy@eao.com

China
EAO (Guangzhou) Ltd.
3/F, Block G4, South China
New Materials Innovation Park
31 Kefeng Road,
Guangzhou Science City,
CN-Guangzhou, PRC
Telephone +86 20 3229 0390
sales.ecn@eao.com

Germany
EAO Automotive GmbH & Co. KG
Richard-Wagner-Straße 3
DE-08209 Auerbach/Vogtland
Telephone +49 3744 8264 0
sales.esa@eao.com

North America
EAO Corporation
One Parrott Drive
Shelton
US-CT 06484
Telephone +1 203 951 4600
sales.eus@eao.com

Sales Companies

China
EAO (Guangzhou) Ltd.
3/F, Block G4, South China
New Materials Innovation Park
31 Kefeng Road,
Guangzhou Science City,
CN-Guangzhou, PRC
Telephone +86 20 3229 0390
sales.ecn@eao.com

EAO (Shanghai) Office
Rm. 403, Block 5#,
CIFI Century Square, Lane 28,
NO. 21, Danba Road,
Putuo District
CN-Shanghai PRC
Telephone +86 21 6095 0717
sales.ecn@eao.com

France
EAO France SAS
5, rue Henri François
FR-77330 Ozoir-la-Ferrière
Telephone +33 1 64 43 37 37
sales.efr@eao.com

**Germany, Austria,
Poland, Czech Republic**
EAO GmbH
Langenberger Straße 570
DE-45277 Essen
Telephone +49 201 8587 0
sales.ede@eao.com

Hong Kong (Asia Pacific)
EAO (Far East) Ltd.
Unit A1, 1/F, Block A
Tin On Industrial Building
777 Cheung Sha Wan Road
Lai Chi Kok, Kln
HK-Hong Kong
Telephone +852 27 86 91 41
sales.ehk@eao.com

Italy
EAO Italia S.r.l.
Centro Direzionale Summit –
Palazzo D1
Via Brescia, 28
IT-20063 Cernusco sul Naviglio (MI)
Telephone +39 02 92 471934
sales.eit@eao.com

Japan
EAO Japan Co. Ltd.
Net 1 Mita Bldg. 3F
3-1-4 Mita Minato-ku
JP-Tokyo 108-0073
Telephone +81 3 5444 5411
sales.ejp@eao.com

Netherlands, Belgium
EAO Benelux B.V.
Kamerlingh Onnesweg 46
Postbus 544
NL-3300 AM Dordrecht
Telephone +31 78 653 17 00
sales.enl@eao.com

North America
EAO Corporation
One Parrott Drive
Shelton
US-CT 06484
Telephone +1 203 951 4600
sales.eus@eao.com

Sweden
EAO Svenska AB
Box 7032
SE-121 07 Stockholm-Globen
Telephone +46 8 683 86 60
sales.esw@eao.se

Switzerland
EAO Schweiz AG
Tannwaldstrasse 86
CH-4600 Olten
Telephone +41 62 286 95 00
sales.ech@eao.com

United Kingdom
EAO Ltd.
Highland House
Albert Drive
Burgess Hill
GB-West Sussex RH15 9TN
Telephone +44 1444 236 000
sales.euk@eao.com