

LCD Manufacturer AUO - G121XN01
 LCD Type Grade A industrial TFT LCD Panel
 Panel Size 12.1" diagonal
 Display Area 245.76 x 184.32 mm (HxV)
 Max. Resolution 1024X768
 Brightness 500 cd/m2 (Typical)
 Color Support 262K

Viewing Angle
 Horizontal L/R 80°
 Vertical T/B 80°

Contrast Ratio 700 : 1 (Typical)
 Pixel Pitch 0.3075 x 0.3075 mm
 OSD Control Yes
 LCD MTBF 50,000 hrs

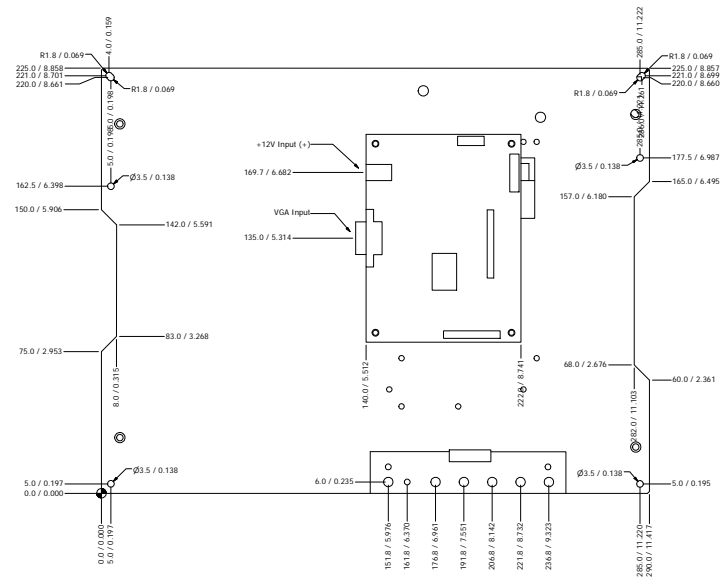
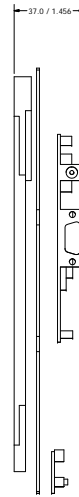
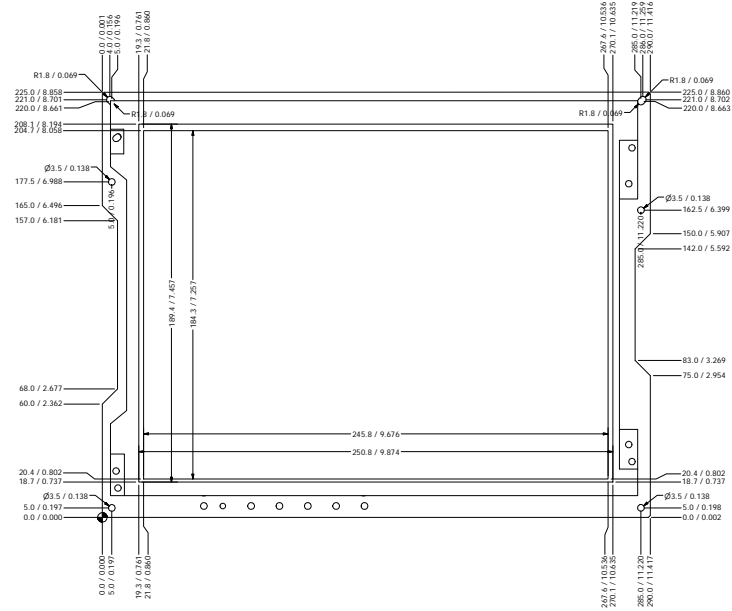
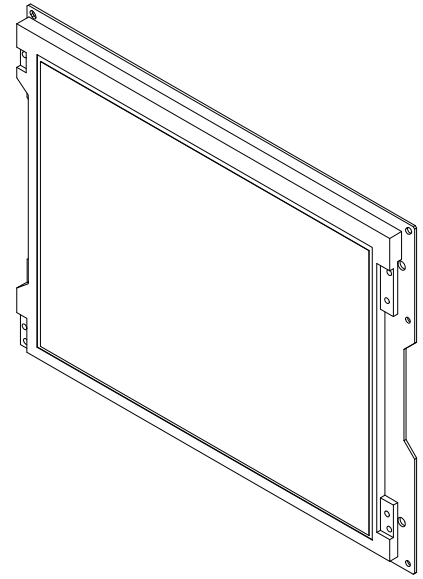
Mechanical
 Weight 2 lbs

Signal Input
 Input Video Signal Analog RGB
 Input Connector D-Sub 15 pin VGA analog

Power
 Power Input +12V DC
 Power Consumption Max. 11.4 Watts

Environmental
 Operation -30° to 80°C Degree
 Storage -30° to 80°C Degree

Relative Humidity 5-90%, non-condensing



Dimensions are in mm/inches

DRAWN	Earth Escalante	11/8/2010	Earth Computer Technologies, Inc.	
CHECKED			TITLE	
QA			12.1" Open Frame LCD Kit	
MFG			SIZE	REV
APPROVED			E	A
			SCALE	1
				SHEET 1 OF 1