

Open Frame

12.1" Open Frame LCD Monitor

Model Number: OF-12.1-VGA

The OF-12.1-VGA "all-in-one" open frame LCD monitor makes integration into your new or existing application easy. The unit comes completely assembled with a color TFT LCD, controller board (VGA only), on-system display button board, backlight driver board, all the necessary cables, integrated with a sheet metal bracket and is ready for installation.

Commercial and industrial applications include: ATM machines, industrial equipment, instrumentation, kiosks, military, medical, arcade games, marine, security, test equipment, gaming, or any application requiring a color LCD display providing a VGA image.

Features:

- 12.1" SVGA LCD panel with LED backlight
- VGA only input controller card
- Commercial and industrial applications
- -30°C ~ +80°C operating temperature range
- High contrast ratio: 700:1 typical
- 500 cd/m2 Brightness typical
- 20,000 hours LED life typical
- OSD Controls: contrast, phase, clock, color, H&V position, auto-tune, recall
- +12 volt power

Options:

- AC/DC 12V power adapter, universal 100-240 volts (sold separately)
- Combo USB or RS232 four wire resistive touchscreen (sold separately)



Product Specifications:

Screen Size (Diagonal): 12.1 Inches

Display Technology: TFT

Resolution: 1024 x 768 (XGA)

Brightness: 500 Nits

Interface Input Modes: VGA

Colors: 262,144

Active Area: 245.76 (W) x 184.32 (H) mm

Contrast Ratio: 700:1

Horizontal Viewing Angle: 80° L/R

Vertical Viewing Angle: 80° (top) 80° (bottom)

Operating Temperature: -30°C to 80°C

Storage Temperature: -30°C to 80°C

Input Voltage: +12V DC

Power Consumption: 950 mA

Display Backlight: LED

RoHS Compliant: Yes

Outline Dimensions (mm): 272 (W) x 209 (H)

Outline Dimensions (in): 10.71 x 8.22

Cable Included: 6 ft VGA

Touch Screen Available: Yes

Industrial Enclosure Available: Yes

LCD Manufacturer AUO - G121XN01
 LCD Type Grade A industrial TFT LCD Panel
 Panel Size 12.1" diagonal
 Display Area 245.76 x 184.32 mm (HxV)
 Max. Resolution 1024X768
 Brightness 500 cd/m2 (Typical)
 Color Support 262K

Viewing Angle
 Horizontal L/R 80°
 Vertical T/B 80°

Contrast Ratio 700 : 1 (Typical)
 Pixel Pitch 0.3075 x 0.3075 mm
 OSD Control Yes
 LCD MTBF 50,000 hrs

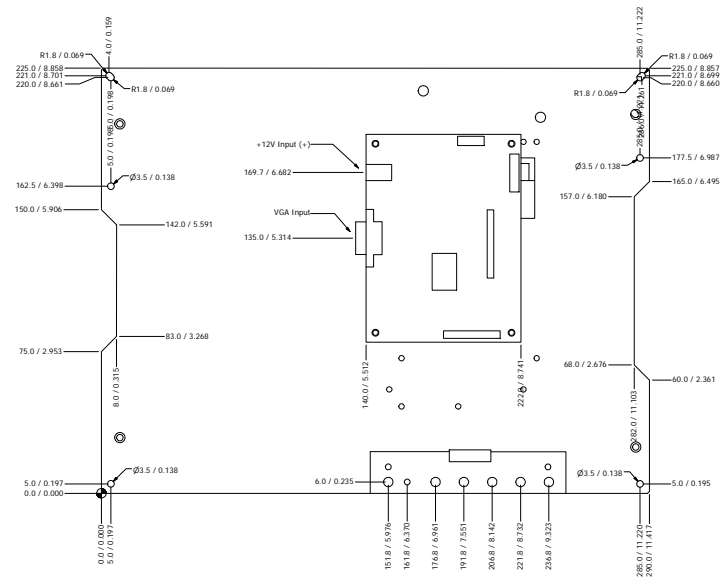
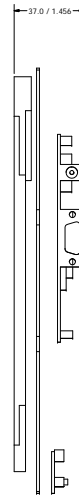
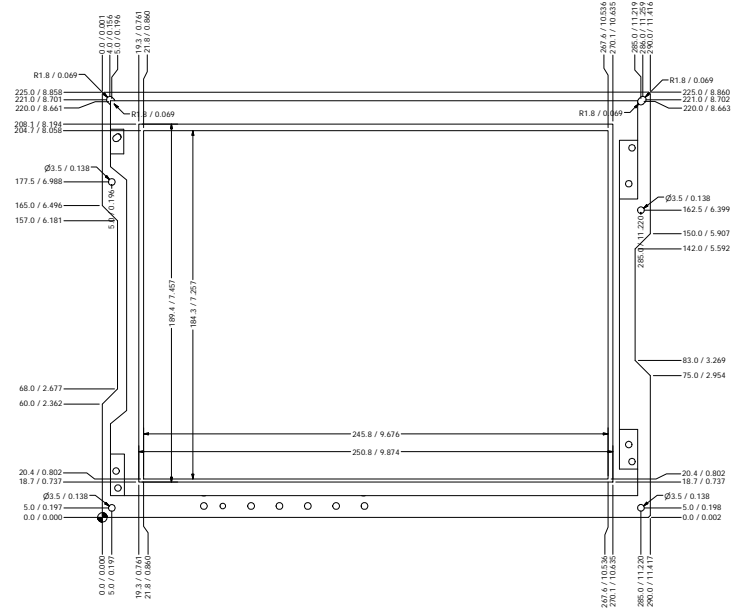
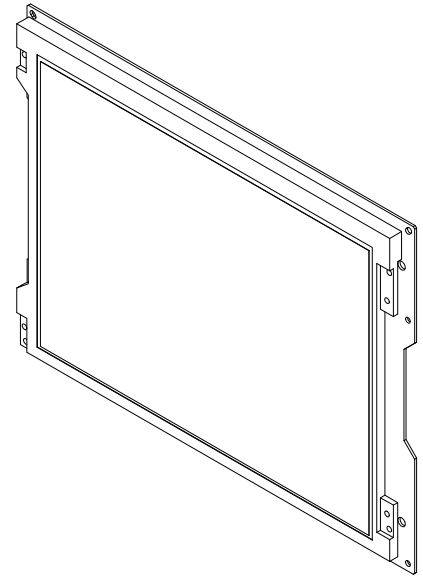
Mechanical
 Weight 2 lbs

Signal Input
 Input Video Signal Analog RGB
 Input Connector D-Sub 15 pin VGA analog

Power
 Power Input +12V DC
 Power Consumption Max. 11.4 Watts

Environmental
 Operation -30° to 80°C Degree
 Storage -30° to 80°C Degree

Relative Humidity 5-90%, non-condensing



Dimensions are in mm/inches

DRAWN	Ear Escalante	11/8/2010	Earth Computer Technologies, Inc.	
CHECKED			TITLE	
QA			12.1" Open Frame LCD Kit	
MFG			SIZE	REV
APPROVED			E	A
			SCALE	SHEET 1 OF 1