

5.6" Open Frame LCD Monitor

Model Number: OF-5.6-VGA

The OF-5.6-VGA "All-In-One" Open Frame LCD Monitor makes integration into your new product or existing application easy. The unit comes completely assembled with a color TFT LCD, Controller Board (VGA Only), On System Display Button Board, Backlight Driver Board, all the necessary cables, integrated with a sheet-metal bracket and ready for installation.

Commercial and Industrial Applications include:
ATM Machines, Industrial Equipment, Instrumentation, Kiosks, Military, Medical, Arcade Games, Marine, Security, Test Equipment, Gaming, or any application requiring a color LCD display providing a VGA image.

Features:

- 5.6" VGA LCD Panel with LED Back-light
- Rugged, Industrial LCD Panel
- Commercial and Industrial Applications
- -20°C ~ +70°C Operating Temperature Range
- High Contrast Ratio: 500:1 Typical
- 350 cd/m2 Brightness Typical
- 20,000 Hours LED Life Typical
- OSD Controls: Contrast, Phase, Clock, Color, H&V Position, Auto-Tune, Recall
- +12 Volt Power

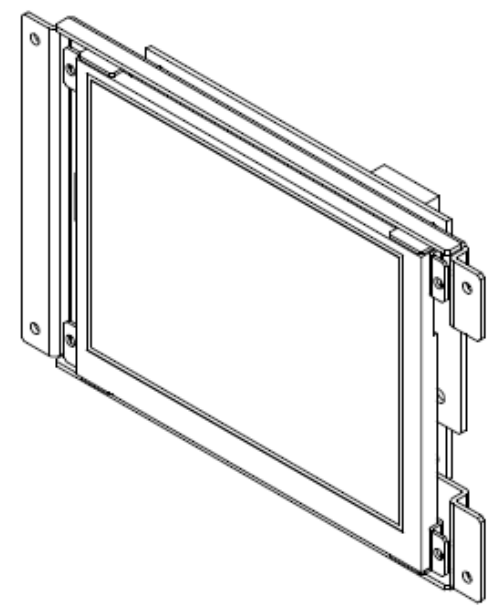
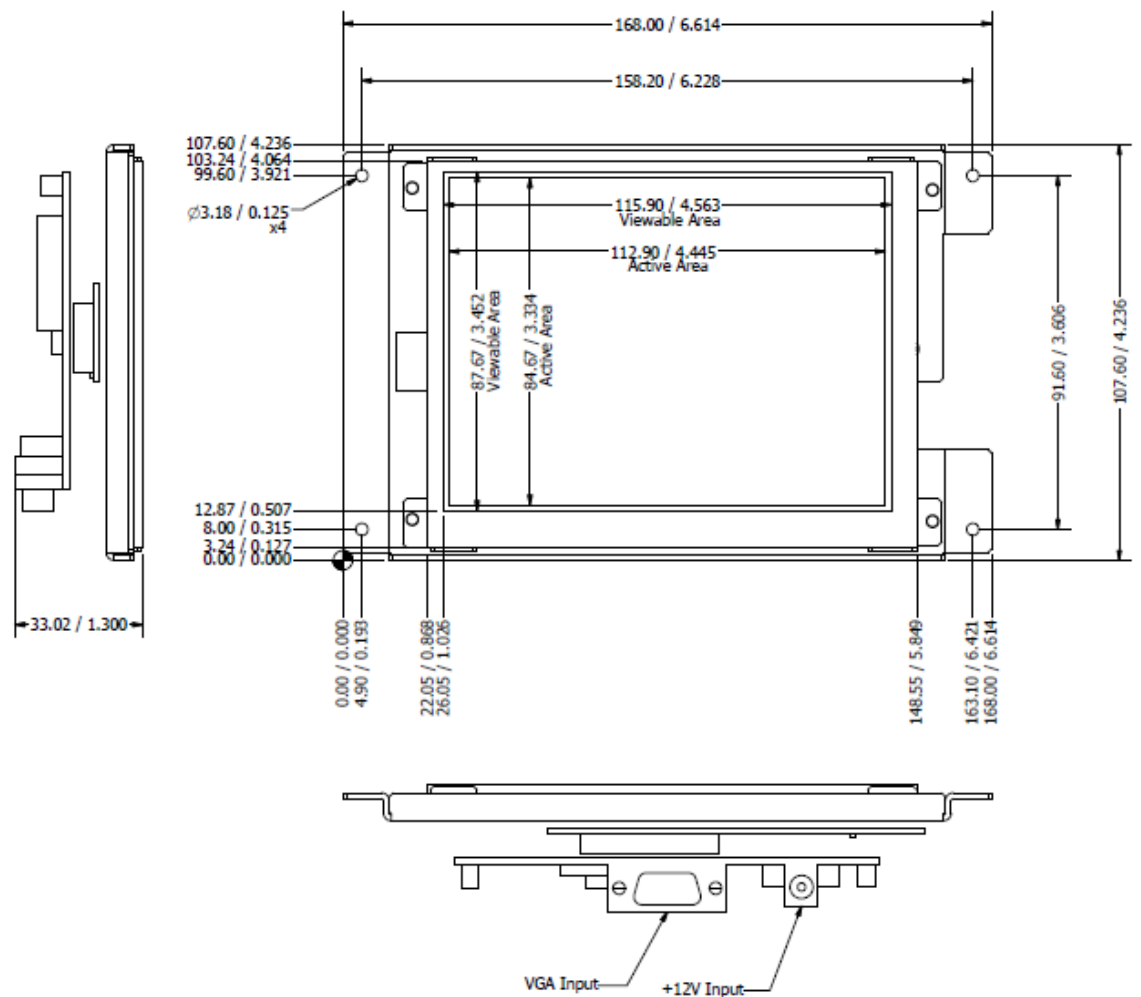
Options:

- AC/DC 12V power adapter, universal 100-240 Volts (sold separately)
- Combo USB or RS232 Four Wire Resistive Touchscreen (sold separately)



Product Specifications:

Screen Size (Diagonal):	5.6 Inches
Display Technology:	TFT
Resolution:	640 x 480 (VGA)
Brightness:	350 Nits
Interface Input Modes:	VGA
Colors:	262,144
Active Area:	112.896 (W) x 84.672 (H) mm
Contrast Ratio:	500:1
Horizontal Viewing Angle:	70° L/R
Vertical Viewing Angle:	50° (top) 70° (bottom)
Operating Temperature:	-20°C to 70°C
Storage Temperature:	-30°C to 80°C
Input Voltage:	+12V DC
Power Consumption:	380 mA
Display Backlight:	LED
RoHS Compliant:	Yes
Outline Dimensions (mm):	168.0 x 107.6
Outline Dimensions (in):	6.61 x 4.24
Cable Included:	6 ft VGA
Touch Screen Available:	Yes
Industrial Enclosure Available:	No



Dimensions are in mm/inches

DRAWN		Earth Computer Technologies, Inc		
CHECKED		TITLE		
QA		5.6" Open Frame (640x480)		
MFG		SIZE	DWG NO	REV
APPROVED		C	OF-56-VGA	A
		SCALE	SHEET 1 OF 1	