

Open Frame

8.0" Open Frame, Extra Bright, LCD Monitor

Model Number: OF-8.0-VGA-EB

The OF-8.0-VGA-EB "all-in-one", extra bright, open frame LCD monitor makes integration into your new or existing application easy. The unit comes completely assembled with a color TFT LCD, controller board (VGA Only), on system display button board, backlight driver board, all the necessary cables, integrated with a sheet metal bracket and ready for installation.

Its super-high brightness delivers crisp, vivid images - ideal for just about any commercial or industrial application including: ATM machines, industrial equipment, kiosks, instrumentation, military, medical, marine, security, test equipment, or any application requiring a high bright, color LCD display.

Features:

- 8.0" SVGA LCD panel with LED backlight
- VGA only input controller card
- Commercial and industrial applications
- -20°C ~ +70°C operating temperature range
- High contrast ratio: 500:1 typical
- Extra high brightness, 1000 cd/m² typical
- 20,000 hours LED life typical
- OSD controls: contrast, phase, clock, color, H&V position, auto tune, recall
- +12 volt power

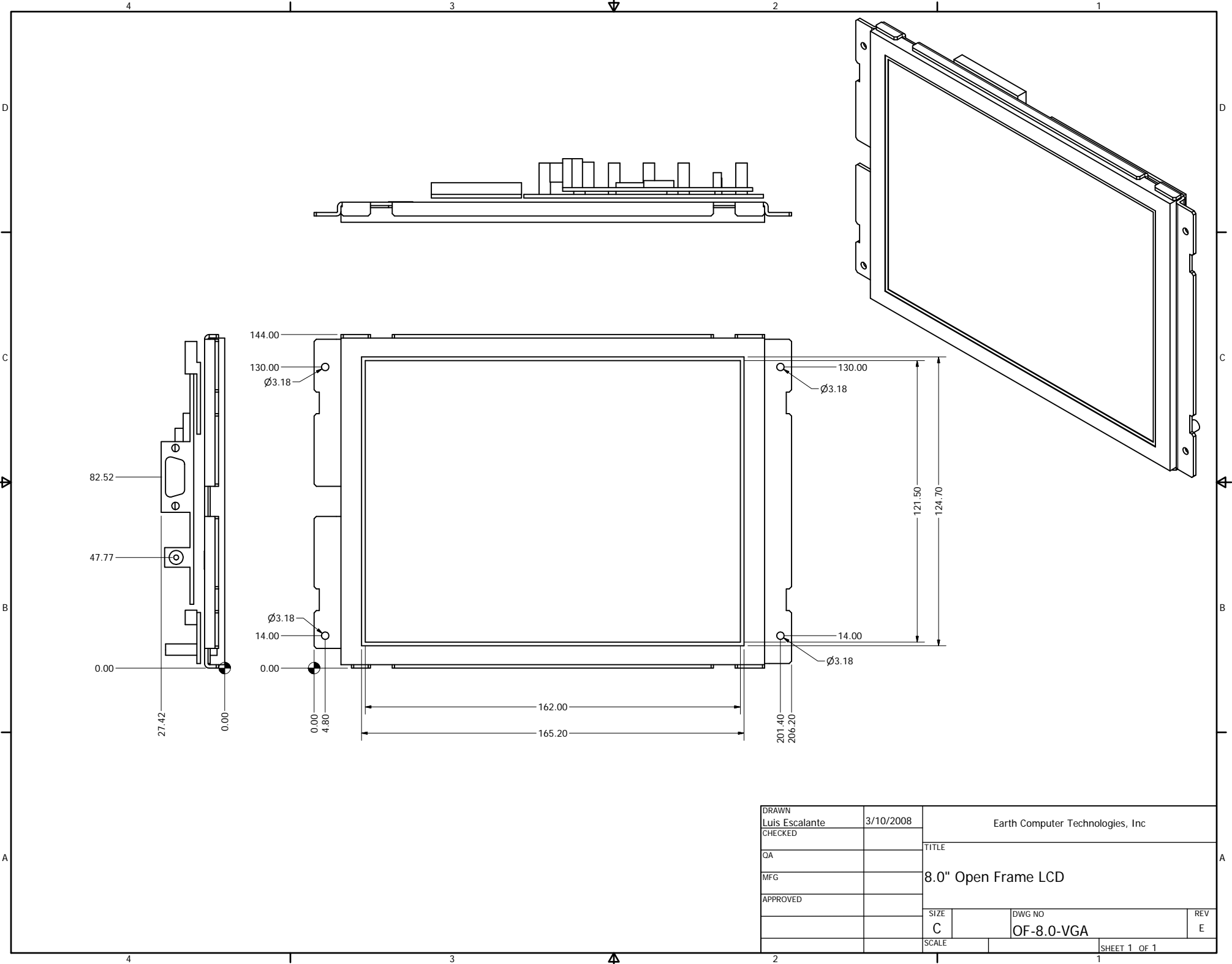
Options:

- AC/DC 12V power adapter, universal 100-240 Volts (sold separately)
- Combo USB or RS232 four wire resistive touchscreen (sold separately)



Product Specifications:

Screen Size (Diagonal):	8.0 Inches
Display Technology:	TFT
Resolution:	800 x 600 (SVGA)
Brightness:	1000 Nits
Interface Input Modes:	VGA
Colors:	262,144
Active Area:	162.0 (W) x 121.5 (H) mm
Contrast Ratio:	500:1
Horizontal Viewing Angle:	70° L/R
Vertical Viewing Angle:	50° (top) 70° (bottom)
Operating Temperature:	-20°C to 70°C
Storage Temperature:	-30°C to 80°C
Input Voltage:	+12V DC
Power Consumption:	890 mA
Display Backlight:	LED
RoHS Compliant:	Yes
Outline Dimensions (mm):	183 x 141
Outline Dimensions (in):	7.2 x 5.55
Cable Included:	6 ft VGA
Touch Screen Available:	Yes
Industrial Enclosure Available:	Yes



DRAWN	Luis Escalante	3/10/2008	Earth Computer Technologies, Inc	
CHECKED			TITLE	
QA			8.0" Open Frame LCD	
MFG			SIZE	DWG NO
APPROVED			C	OF-8.0-VGA
			SCALE	REV
				E
			SHEET 1 OF 1	