

THERMAL PROFILER CARRIERS

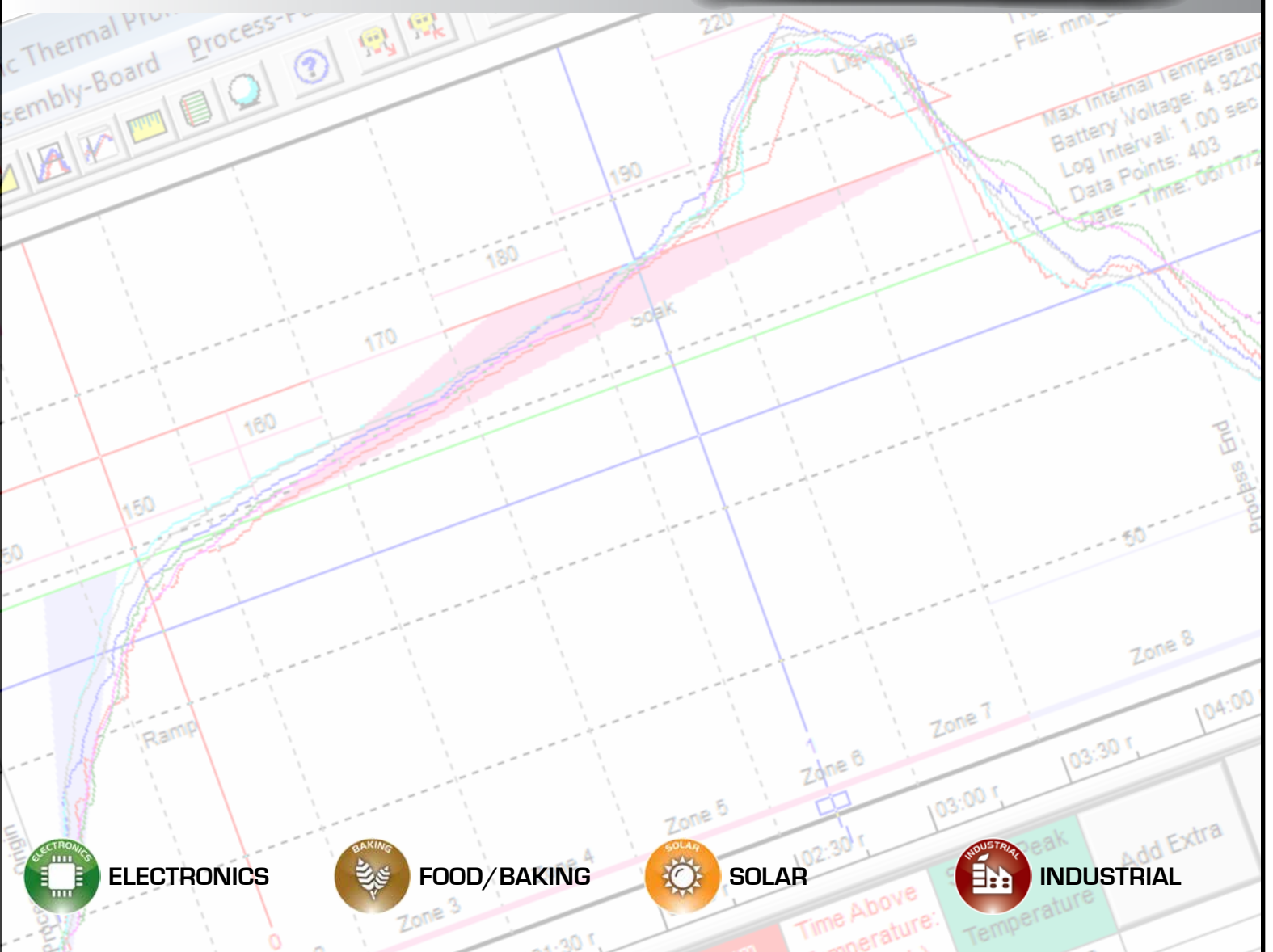
Profiling ...Easier than Ever With Your Thermal Profiler Carried Securely

E-Z RIDER™ | REFLOW RIDER™ | SIDE RIDER™

ECD Thermal Profiler Carriers are adjustable to the exact width of your circuit board in seconds. Just separate the side rails to match the width of your board, and lock them in place with the turn of a screw. Place your profiler on the carrier, where it is securely held, and slide it onto your reflow oven edge rail or wave solder finger conveyor.



www.ecd.com ➔



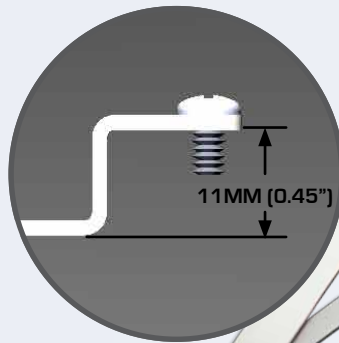
REFLOW OVEN CARRIERS

SIDE RIDER™ www.ecd.com/products/siderider/ ➔

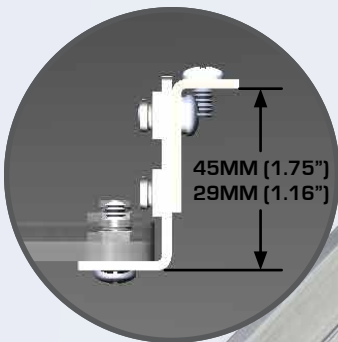
Side Rider™, an expandable safety platform designed to carry a M.O.L.E.® or another manufacturers Profiler securely through belt-less reflow ovens that have very tight tunnel tolerances.

FEATURES:

- Built with stainless steel for long life.
- Profiler carrier for low clearance ovens
- Includes one tray and one outrigger
- No tools required for adjustment
- Optional 2nd outrigger arm & 5.5" flat tray available



Order ECD P/N: E42-7433-00



REFLOW RIDER™ www.ecd.com/products/reflowrider/ ➔

Reflow Rider™ is designed for the new reflow ovens with edge rail conveyors and no conveyor belt. Reflow Rider's side rails adjust independently for height, to adapt easily to the new oven configurations including center board support rails, edge grippers and the small opening height of controlled.

FEATURES:

- Built with hard-anodized aluminum
- Width adjusts to the exact width of your circuit board
- Height adjusts to the oven entry

Order ECD P/N: E40-0077-00

WAVE SOLDER CARRIERS



E-Z RIDER™ www.ecd.com/products/ezrider/ 

E-Z Rider™ is designed to carry your profiler safely through wave solder machines. The E-Z Rider™ titanium side rails are gripped by the finger conveyors, and support the profiler well above the solder wave.

FEATURES:

- Built with hard-anodized aluminum and titanium
- Width adjusts to the exact width of your circuit board

Order ECD P/N: E40-0307-00

SPECIFICATIONS

E-Z RIDER™

Width adjustment range: 3.25 to 20 in (8 to 51 cm)

Profiler size range:

- Up to 6.75 in (17 cm) wide
- Up to 13 in (33 cm) long

Weight: 0.85 lb (390 gm)

Side rail material: Titanium

Arm and body material: Clear hard anodized aluminum

Fasteners: Stainless steel



REFLOW RIDER™

Width adjustment range: 4.1 to 20.8 in (10.4 to 53 cm)

Height size range: 0 to 1.75 in (4.5 cm) below edge rail conveyor

Thickness of REFLOW RIDER: Adds 0.75 in (1.8 cm) to height of profiler

Profiler size range:

- Up to 6.75 in (17 cm) wide
- Up to 13 in (33 cm) long

Weight: 0.97 lb (440 gm)

Side rail material: Anodized aluminum

Arm and body material: Clear hard anodized aluminum

Fasteners: Stainless steel



SIDE RIDER™

Width adjustment range:

- 6.1 to 13.5 in (15.5 to 34.3 cm) one outrigger arm
- 7.2 to 21.02 in (18.28 to 53.4 cm) two outrigger arms

Profiler size range:

- Up to 4.86 in (12.34 cm) wide
- Up to 11.38 in (28.91 cm) long

Weight: 1.60 lb (725.7 gm)

Flat tray material: Stainless steel

Outrigger Arm material: Stainless Steel & Clear hard anodized aluminum

Fasteners: Stainless Steel



ECD North & South America
World Headquarters
4287-B SE International Way
Milwaukie, Oregon 97222-8825 U.S.A.
Tel: +1 503 659 6100/+1 800 323 4548
Fax: +1 503 659 4422
E-Mail: sales@ecd.com | Web: www.ecd.com

ECD Asia/Pacific
Singapore
Mobile: +65 9692 6822
Fax: +65 6241 9890
E-Mail: ecd.asia@ecd.com

ECD Europe/Africa/Middle East
Mobile: +48 512 659 100
E-Mail: ecd.europe@ecd.com

• Top rated customer support • No-cost ECD Online Training • Award winning software •