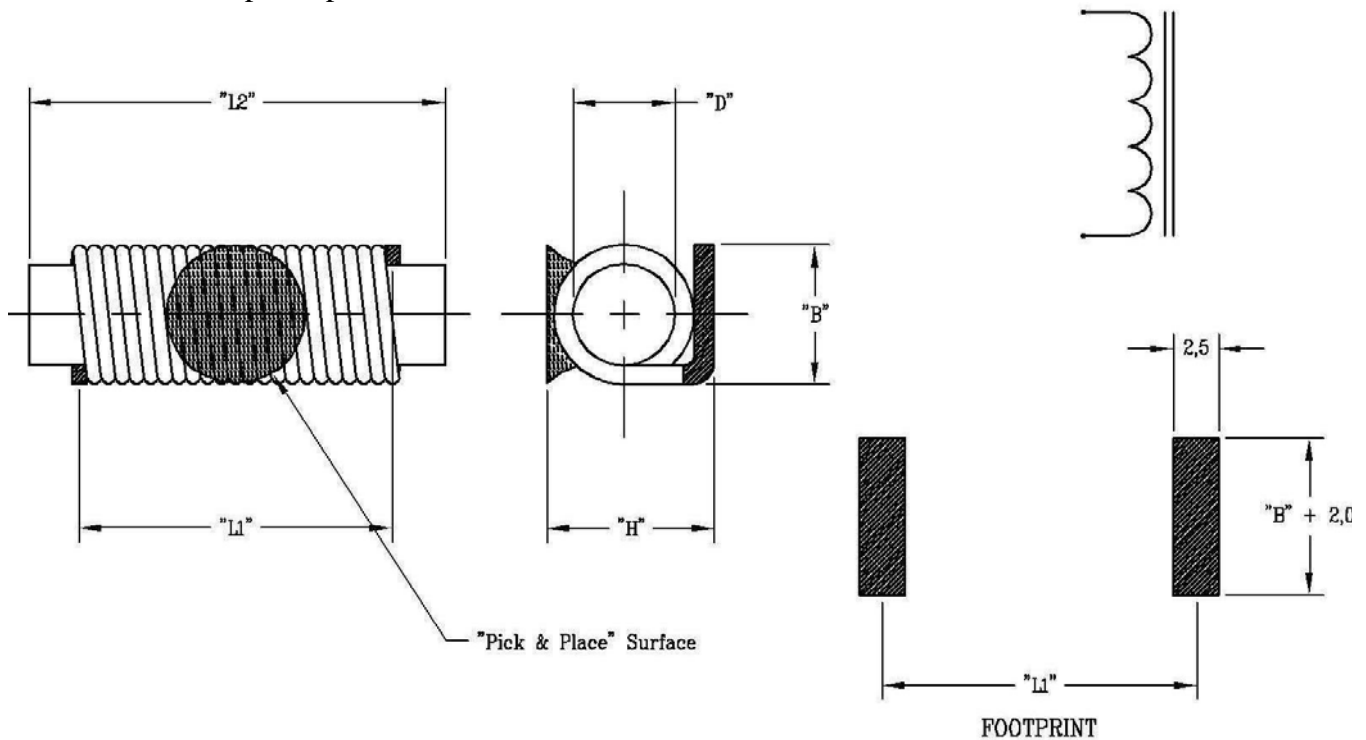
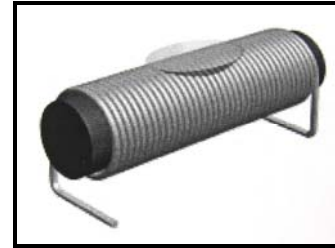


SMR2-XXXX

Surface mount, rod core inductor

- “Pick & place” surface
- Reflow solder rating, 260°C for 10sec
- Temperature range, -40°C to 125°C
- Inductance test level, 100KHz
- Packaging, 300-4600pcs,12mm blisterpack
- Leads tinned to seating plane
- RoHS compliant per 2002/95/EC



Dash #	“L” (uH) ±20%	“DCR” max (mΩ)	“I” max (A)	“L1” ± 1,0 (mm)	“L2” ± 0,6 (mm)	“D” ± 0,1 (mm)	“H” ± 0,2 (mm)	“B” max (mm)
-0903	3.0	4.2	9.0	16,5	20,0	5,0	9,5	7,5
-0604	4.0	8.5	6.0	15,7	20,0	5,0	9,5	7,5
-1005	5.0	8.0	10.0	20,3	25,0	6,0	10,5	8,5
-0609	9.0	12.2	6.0	22,7	25,0	6,0	10,5	8,5
-0406	6.0	11.5	4.0	17,6	20,0	5,0	9,5	7,5
-0308	8.0	19.0	3.0	17,8	20,0	5,0	8,5	6,5
-0411	11	28.0	4.0	18,7	20,0	5,0	8,5	6,5
-0313	13	33.0	3.0	19,2	20,0	5,0	8,5	6,5
-0415	15	27.0	4.0	21,7	25,0	6,0	9,5	7,5
-0217	17	58.0	2.0	17,5	20,0	5,0	8,5	6,5
-0320	20	20.0	3.0	23,6	25,0	6,0	9,5	7,5
-0325	25	56.0	3.0	22,9	25,0	6,0	9,5	7,5
-0606	6	9.5	6.0	19,7	20,0	5,0	9,5	7,5