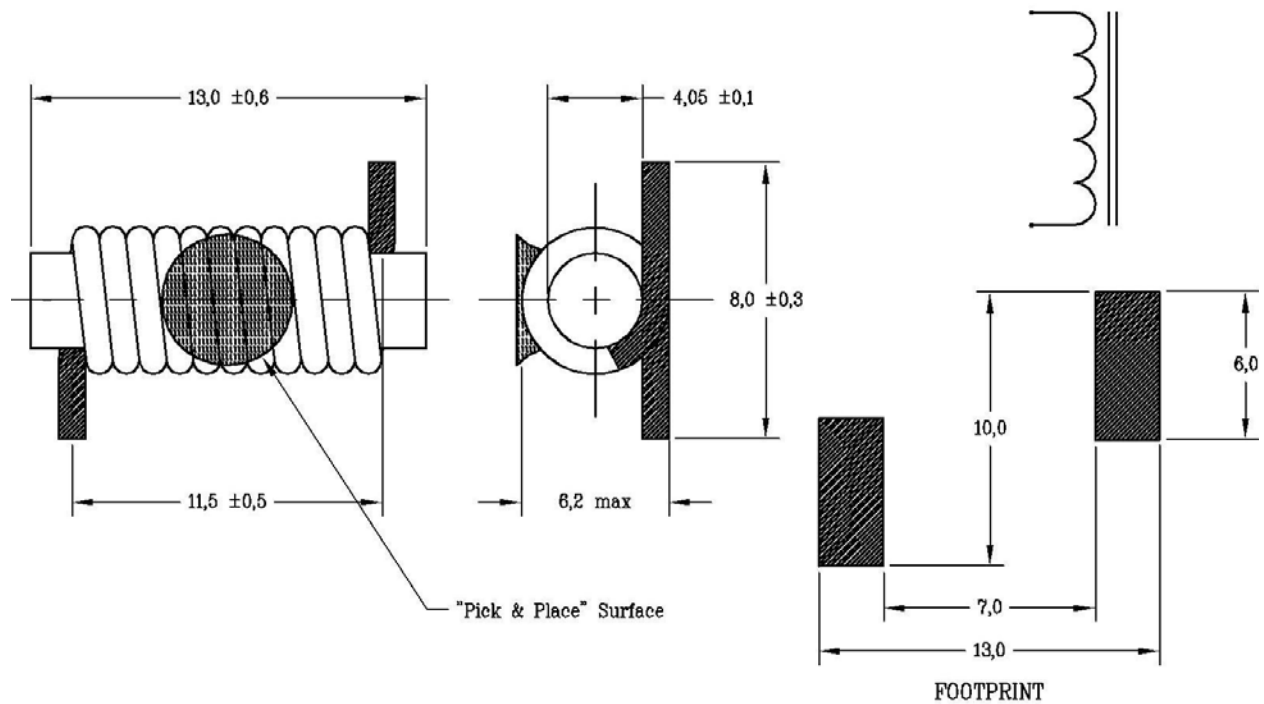


SMR1-XXXX

Surface mount, rod core inductor

- “Pick & place” surface
- Compact design
- Reflow solder rating, 260°C for 10sec
- Temperature range, -40°C to 125°C
- Inductance test level, 100KHz
- Packaging, 300-4600pcs, 12mm blisterpack
- Leads tinned to seating plane
- RoHS compliant per 2002/95/EC



Dash #	“L” $\pm 20\%$ (uH) @ 100kHz @ 100mV	“DCR” max (m Ω)	“I” max (A)
-0015	1.5	5.6	5.0
-0018	1.8	8.2	5.0
-0022	2.2	9.8	5.0
-0027	2.7	11.5	5.0
-0033	3.3	16.1	5.0
-0039	3.9	19.5	5.0
-0047	4.7	24.0	5.0