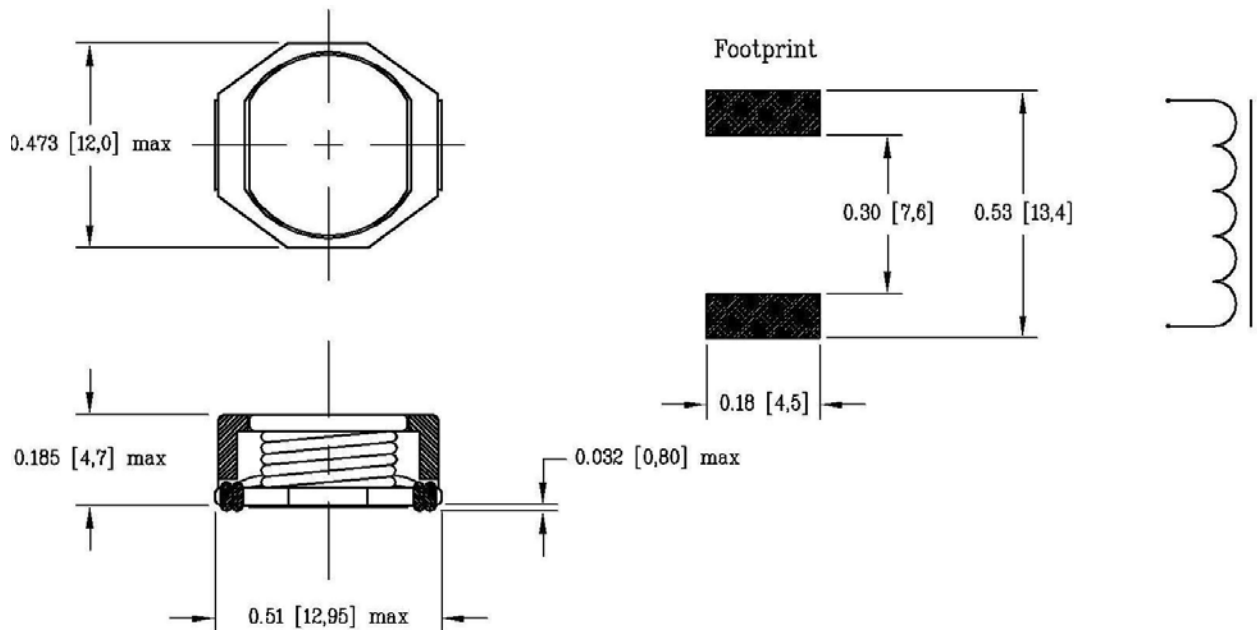


# SMS11-XXXX

## SMT shielded inductor

- Inductor is magnetically shielded
- Compact design, low height
- Reflow solder rating, 260°C for 10sec
- Inductance range, 10uH – 10mH
- Temperature range, -40°C to 130°C
- Energy storage, 17 uWsec.
- Packaging, 700pcs, 24mm blisterpack
- RoHS compliant per 2002/95/EC
- Other values available



Dash #	“L” ± 35% (uH)	“SRF” min (MHz)	“DCR” max (mΩ)	“I” max (mA)
-0010	10	10	20	900
-0022	22	8.0	30	600
-0047	47	6.0	50	430
-0100	100	4.0	90	300
-0220	220	2.0	200	200
-0470	470	0.8	400	130
-1000	1.0 mH	0.6	720	85
-2200	2.2 mH	0.4	1.8 Ω	65
-4700	4.7 mH	0.3	3.7 Ω	45
-9999	10 mH	0.1	9.0 Ω	30