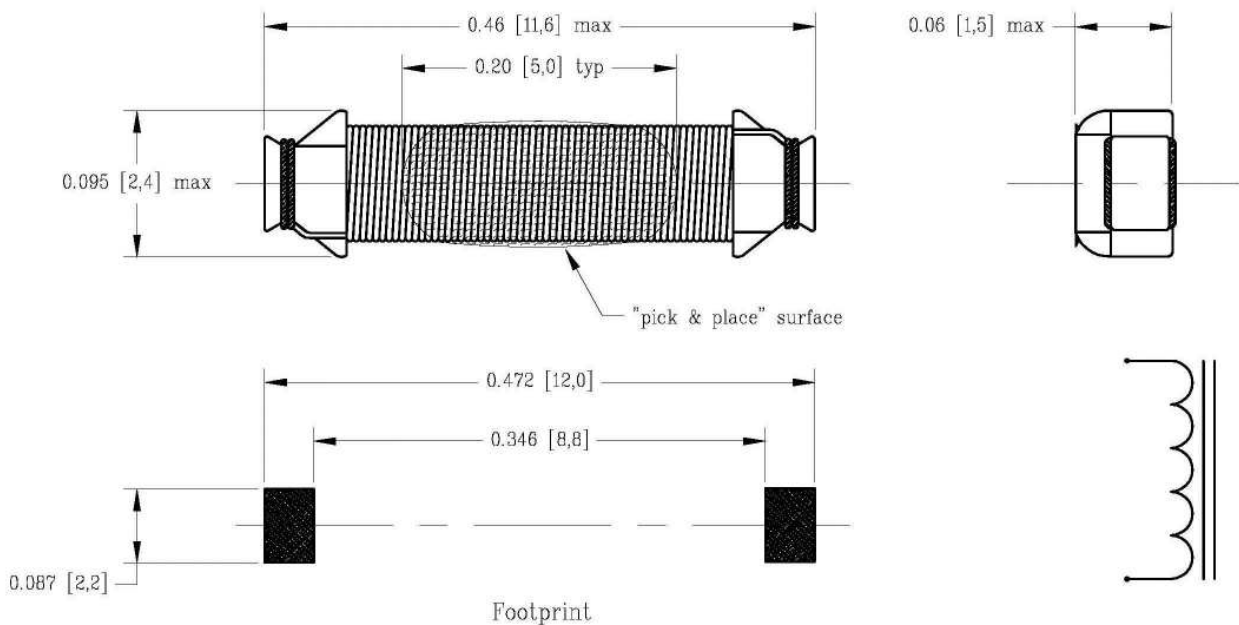


AS16-XXXX

SMT Transponder Coil

- Antenna applications, RFID
- One-piece ferrite core construction
- Compact design, low height
- “Pick & place” surface
- Optional hot-melt adhesive for PWB bonding during solder reflow
- Reflow solder rating: 260°C for 10sec
- Operating temperature: -40°C to +125°C
- RoHS compliant per 2011/65/EU
- Packaging: 3800pcs, 24mm blisterpack
- Custom values available



Dash #	“L” ± 10% (mH)	“SRF” min (MHz)	“DCR” max (Ω)	“T” max (mA)
-0085	0.85	1.1	11	50
-0160	1.6	800 kHz	16	37
-0200	2.0	750 kHz	22	30
-0350	3.5	550 kHz	36	20

Rev -, 12/15