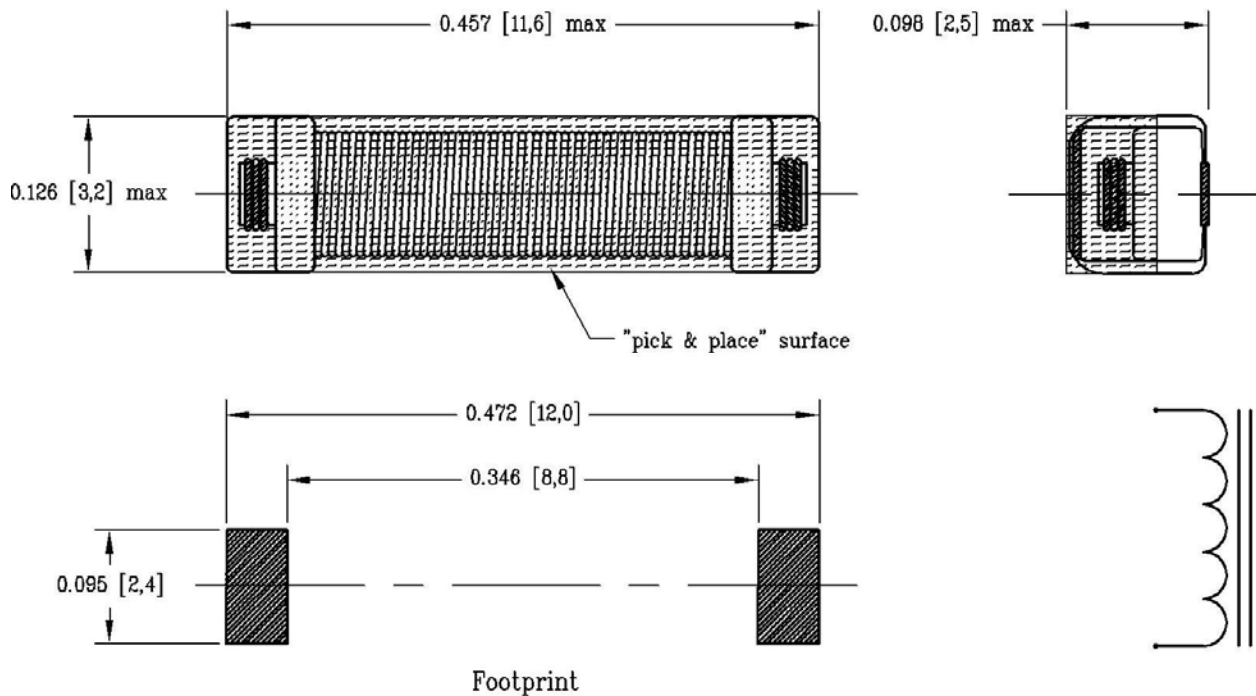


AS31-XXXX

SMT Transponder Coil

- Antenna applications, RFID
 - 1uH – 39mH
- Compact design, low height
- “Pick & place” surface
- Drop & vibration resistant
- Optional hot-melt adhesive for PWB bonding during solder reflow
- Reflow solder rating: 260°C for 10sec
- Operating temperature: -40°C to +125°C
- RoHS compliant per 2002/95/EC
- Packaging: 3200pcs, 24mm blisterpack
- Custom values available



Dash #	“L” ± 5% (mH)	“Q” (@125kHz) min	“SRF” min (KHz)	“DCR” max (Ω)
-0019	190uH	35	2.6MHz	4
-0120	1.20	45	950	13
-0236	2.36	45	360	23
-0238	2.38	45	600	23
-0266	2.66	55	600	26
-0720	7.20	40	350	56