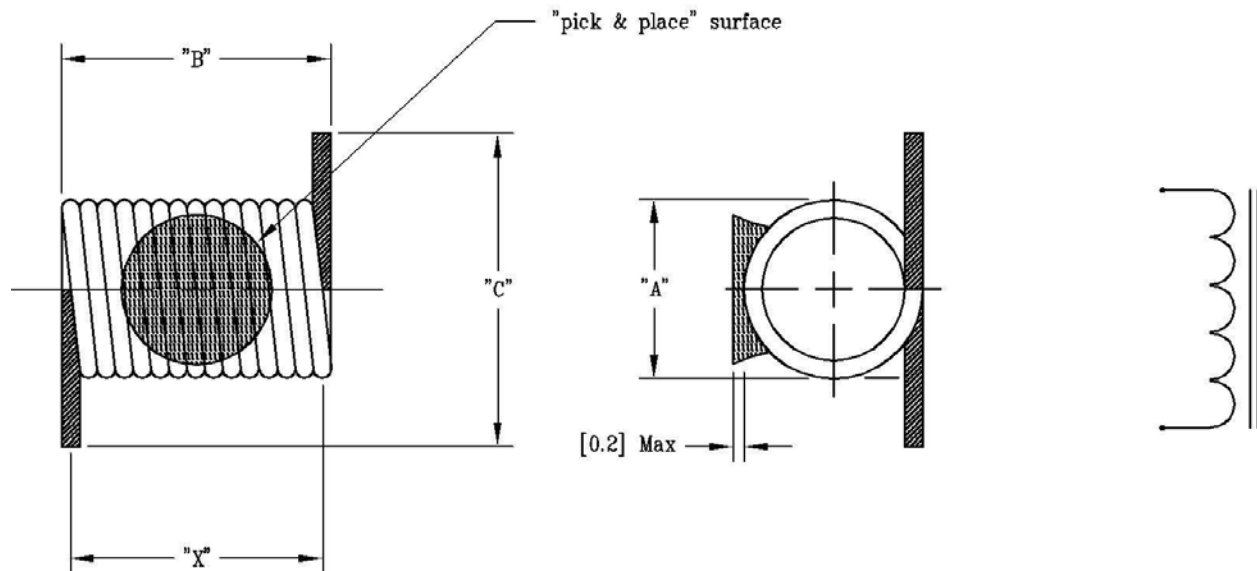


# SMWX-XXXX

Surface mount, air core inductor

- “pick & place” surface
- Compact design
- Reflow solder rating, 260°C for 10sec
- Temperature range, -40°C to 125°C
- Inductance test level, 10MHz
- Packaging, 300-4600pcs, 12mm blisterpack
- Leads tinned to seating plane
- RoHS compliant per 2002/95/EC



SMW1-	“L” (nH)	Tol. ± %	“DCR” max (mΩ)	“A” max [mm]	“B” ±[0,2] [mm]	“C”-[0,3] [mm]	“X” ±[0,2] [mm]
-0002	1.65	10	1.73	[1,50]	[2,16]	[3,20]	[1,83]
-0003	2.55	10	2.15	[1,33]	[2,16]	[3,20]	[1,83]
-0004	3.85	10	2.60	[1,21]	[2,13]	[3,20]	[1,83]
-0005	5.45	10	3.55	[1,16]	[2,13]	[3,20]	[1,83]
-0006	5.60	5	3.55	[1,37]	[4,04]	[3,20]	[3,66]
-0007	7.15	5	4.45	[1,23]	[4,02]	[3,20]	[3,66]
-0008	8.80	5	5.10	[1,20]	[4,01]	[3,20]	[3,66]
-0009	9.85	5	6.40	[1,16]	[3,96]	[3,20]	[3,66]
-0010	12.55	5	7.20	[1,16]	[3,96]	[3,20]	[3,66]

SMW2-	“L” (nH)	Tol. ± %	“DCR” max (mΩ)	“A” max [mm]	“B” ±[0,2] [mm]	“C”-[0,3] [mm]	“X” ±[0,2] [mm]
-0001	2.50	10	1.02	[3,03]	[3,46]	[4,21]	[2,92]
-0002	5.00	10	1.10	[3,13]	[3,46]	[4,21]	[2,92]
-0003	8.00	10	1.83	[2,73]	[3,46]	[4,21]	[2,92]
-0004	12.50	10	2.24	[2,63]	[3,46]	[4,21]	[2,92]
-0005	18.50	10	2.72	[2,58]	[3,46]	[4,21]	[2,92]
-0006	17.50	5	3.40	[2,68]	[6,38]	[4,21]	[5,84]
-0007	22.00	5	3.80	[2,58]	[6,38]	[4,21]	[5,84]
-0008	28.00	5	4.30	[2,58]	[6,38]	[4,21]	[5,84]
-0009	35.50	5	4.90	[2,58]	[6,38]	[4,21]	[5,84]
-0010	43.00	5	5.40	[2,58]	[6,38]	[4,21]	[5,84]

SMW3-	“L” (nH)	Tol. ± %	“DCR” max (mΩ)	“A” max [mm]	“B” ±[0,2] [mm]	“C”-[0,3] [mm]	“X” ±[0,2] [mm]
-0002	10.70	10	1.17	[3,03]	[3,75]	[4,20]	[3,20]
-0003	16.60	10	2.17	[3,03]	[3,75]	[4,20]	[3,20]
-0004	23.80	10	3.58	[3,01]	[3,75]	[4,20]	[3,20]
-0005	32.60	10	3.62	[3,01]	[3,75]	[4,20]	[3,20]
-0006	37.40	7.5	3.51	[3,01]	[6,87]	[4,20]	[6,40]
-0007	45.70	7.5	5.05	[3,01]	[6,87]	[4,20]	[6,40]
-0008	59.40	7.5	7.12	[3,01]	[6,87]	[4,20]	[6,40]
-0009	70.00	7.5	9.90	[3,01]	[6,87]	[4,20]	[6,40]
-0010	81.70	7.5	13.64	[3,01]	[6,87]	[4,20]	[6,40]
-0011	103.0	7.5	14.66	[3,01]	[6,87]	[4,20]	[6,40]
-0012	118.0	7.5	16.00	[3,01]	[6,87]	[4,20]	[6,40]

SMW4-	“L” (nH)	Tol. ± %	“DCR” max (mΩ)	“A” max [mm]	“B” ±[0,2] [mm]	“C”-[0,3] [mm]	“X” ±[0,2] [mm]
-0003	22.00	5	3.50	[3,08]	[4,85]	[6,87]	[4,32]
-0004	27.00	5	3.80	[2,93]	[4,85]	[6,87]	[4,32]
-0005	33.00	5	4.25	[3,06]	[4,80]	[6,87]	[4,32]
-0006	39.00	5	5.45	[2,98]	[4,85]	[6,87]	[4,32]
-0007	47.00	5	6.20	[2,81]	[4,80]	[6,87]	[4,32]
-0008	56.00	5	8.50	[3,01]	[4,80]	[6,87]	[4,32]
-0009	68.00	5	9.25	[2,96]	[4,80]	[6,87]	[4,32]
-0010	82.00	5	13.20	[2,82]	[4,70]	[6,87]	[4,32]
-0011	100.0	5	14.40	[2,82]	[4,70]	[6,87]	[4,32]
-0012	120.0	5	14.40	[2,73]	[4,70]	[6,87]	[4,32]

SMW5-	“L” (nH)	Tol. ± %	“DCR” max (mΩ)	“A” max [mm]	“B” ±[0,2] [mm]	“C”-[0,3] [mm]	“X” ±[0,2] [mm]
-0009	90.0	5	15.0	[4,16]	[8,46]	[6,50]	[7,98]
-0010	111.0	5	15.0	[4,16]	[8,46]	[6,50]	[7,98]
-0011	130.0	5	20.0	[4,11]	[8,46]	[6,50]	[7,98]
-0012	169.0	5	25.0	[4,26]	[8,46]	[6,50]	[7,98]
-0013	206.0	5	30.0	[4,36]	[8,46]	[6,50]	[7,98]
-0014	222.0	5	35.0	[4,21]	[8,46]	[6,50]	[7,98]
-0015	246.0	5	35.0	[4,11]	[8,46]	[6,50]	[7,98]
-0016	307.0	5	35.0	[4,31]	[8,46]	[6,50]	[7,98]
-0017	380.0	5	50.0	[4,46]	[8,43]	[6,50]	[7,98]
-0018	422.0	5	60.0	[4,61]	[8,43]	[6,50]	[7,98]
-0019	491.0	5	65.0	[4,52]	[8,36]	[6,50]	[7,98]
-0020	538.0	5	90.0	[4,52]	[8,36]	[6,50]	[7,98]

SMW6-	“L” (nH)	Tol. ± %	“DCR” max (mΩ)	“A” max [mm]	“B” ±[0,2] [mm]	“C”-[0,3] [mm]	“X” ±[0,2] [mm]
-0001	31.5	10	0.97	[4,45]	[8,32]	[6,40]	[7,50]
-0002	34.7	10	1.01	[4,46]	[8,31]	[6,40]	[7,50]
-0003	41.8	10	1.74	[4,46]	[8,29]	[6,40]	[7,50]
-0004	50.8	10	2.57	[4,46]	[8,28]	[6,40]	[7,50]
-0005	60.8	10	3.60	[4,46]	[8,27]	[6,40]	[7,50]
-0006	75.0	10	3.40	[4,46]	[8,25]	[6,40]	[7,50]
-0007	94.0	10	3.97	[4,46]	[8,24]	[6,40]	[7,50]
-0008	111.0	10	4.53	[4,46]	[8,22]	[6,40]	[7,50]
-0009	131.0	10	5.38	[4,46]	[8,21]	[6,40]	[7,50]
-0010	150.0	10	6.48	[4,46]	[8,20]	[6,40]	[7,50]

SMW7-	“L” (nH)	Tol. ± %	“DCR” max (mΩ)	“A” max [mm]	“B” ±[0,2] [mm]	“C”-[0,3] [mm]	“X” ±[0,2] [mm]
-0011	197.0	10	9.00	[6,01]	[14,81]	[6,40]	[14,0]
-0012	235.0	10	10.57	[6,01]	[14,80]	[6,40]	[14,0]
-0013	260.0	10	11.45	[6,01]	[14,79]	[6,40]	[14,0]
-0014	290.0	10	12.33	[6,01]	[14,77]	[6,40]	[14,0]
-0015	345.0	10	13.20	[6,01]	[14,76]	[6,40]	[14,0]
-0016	410.0	10	14.01	[6,01]	[14,75]	[6,40]	[14,0]
-0017	475.0	10	14.97	[6,01]	[14,76]	[6,40]	[14,0]
-0018	550.0	10	15.85	[6,01]	[14,75]	[6,40]	[14,0]
-0019	600.0	10	16.73	[6,01]	[14,70]	[6,40]	[14,0]
-0020	720.0	10	17.61	[6,01]	[14,69]	[6,40]	[14,0]

SMW8-	“L” (nH)	Tol. ± %	“DCR” max (mΩ)	“A” max [mm]	“B” ±[0,2] [mm]	“C”-[0,3] [mm]	“X” ±[0,2] [mm]
-0002	29.0	10	0.70	[6,32]	[6,43]	[12,50]	[5,00]
-0003	33.0	10	1.40	[6,32]	[6,07]	[12,50]	[5,00]
-0004	47.0	10	1.10	[6,32]	[6,35]	[12,50]	[5,00]
-0005	56.0	10	1.40	[6,32]	[6,17]	[12,50]	[5,00]

SMW9-	“L” (nH)	Tol. ± %	“DCR” max (mΩ)	“A” max [mm]	“B” ±[0,2] [mm]	“C”-[0,3] [mm]	“X” ±[0,2] [mm]
-0001	86.0	10	1.70	[10,07]	[11,30]	[16,00]	[10,00]
-0002	96.0	10	2.70	[9,91]	[11,00]	[16,00]	[10,00]
-0003	132.0	10	1.90	[10,06]	[11,30]	[16,00]	[10,00]
-0004	140.0	10	3.40	[9,91]	[11,00]	[16,00]	[10,00]
-0005	182.0	10	2.20	[10,06]	[11,30]	[16,00]	[10,00]
-0006	196.0	10	4.10	[9,91]	[11,00]	[16,00]	[10,00]
-0007	265.0	10	4.70	[9,91]	[11,00]	[16,00]	[10,00]
-0008	338.0	10	3.80	[10,04]	[11,30]	[16,00]	[10,00]
-0009	438.0	10	5.50	[9,92]	[11,00]	[16,00]	[10,00]
-0010	528.0	10	6.80	[9,91]	[11,00]	[16,00]	[10,00]