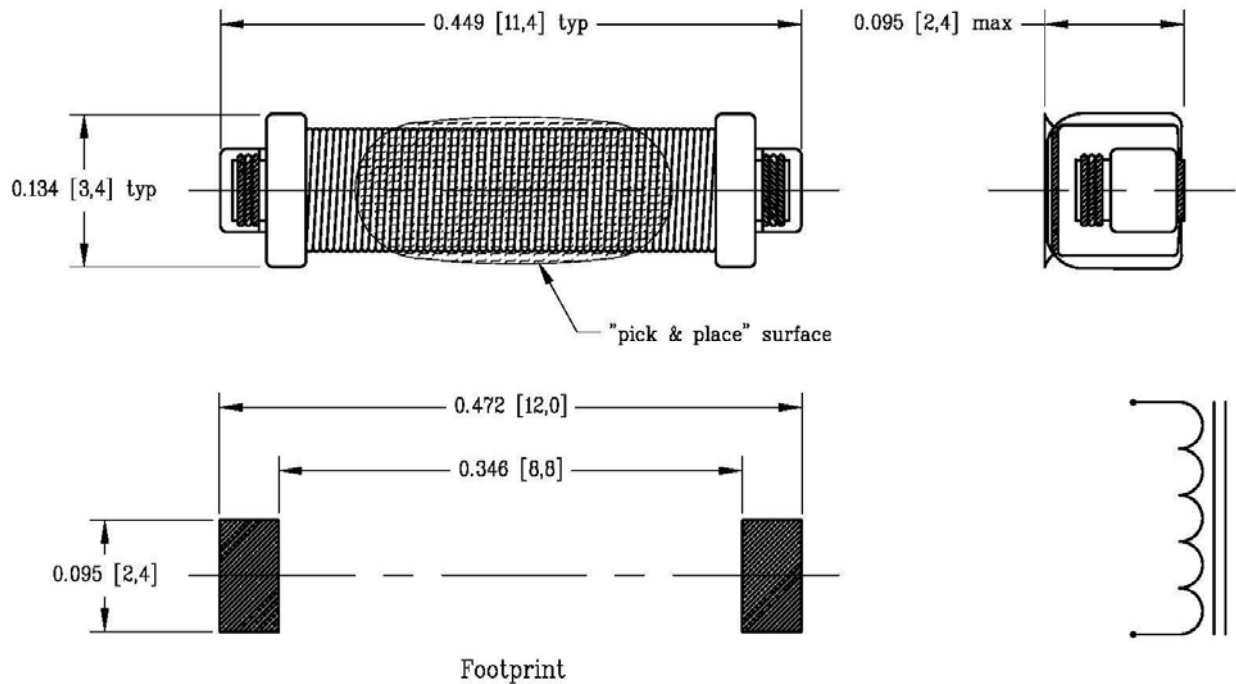


AS34-XXXX

SMT Transponder Coil

- Antenna applications, RFID
- High Q values
- Compact design, low height
- “Pick & place” surface
- Optional hot-melt adhesive for PWB bonding during solder reflow
- Reflow solder rating: 260°C for 10sec
- Operating temperature: -40°C to +125°C
- RoHS compliant per 2002/95/EC
- Packaging: 3200pcs, 24mm blisterpack
- Custom values available



Dash #	“L” ± 5% (mH)	“SRF” min (KHz)	“DCR” max (Ω)	“Q” min (@125kHz)
-0237	2.37	600	32	30
-0720	7.20	350	110	23