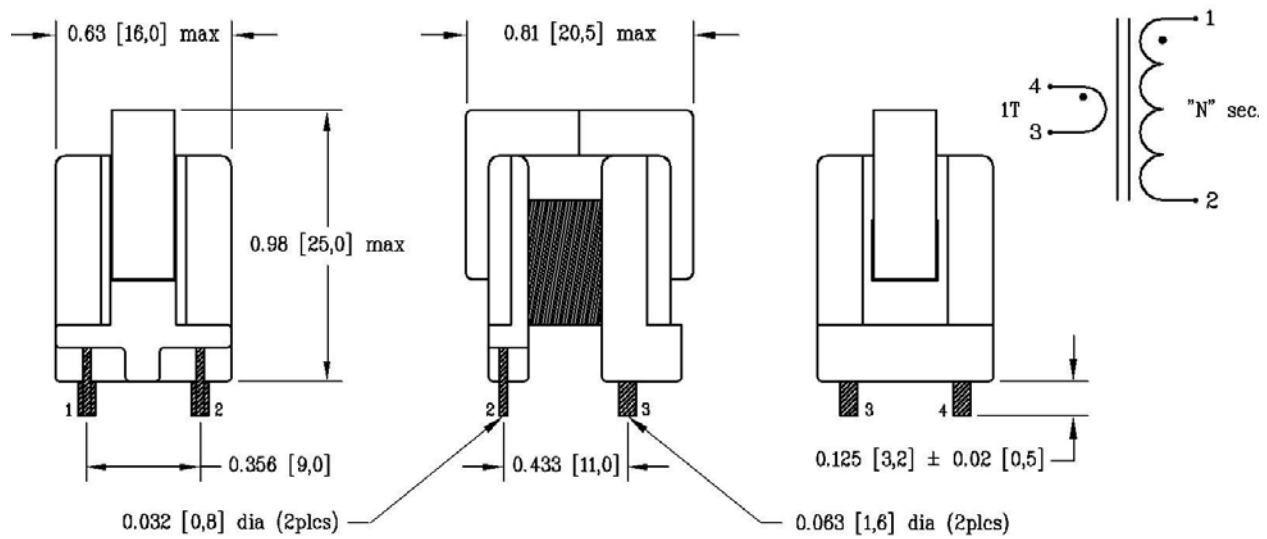


CX15-XXX

Current transformer

- 5mm minimum creepage, winding – mounting surface
- 3mm minimum creepage, each winding – core
- Dielectric strength, 3000Vrms primary to secondary
- Temperature class, 130 °C
- Inductance test level, 1KHz @ 1V
- Secondary turns tolerance $\pm 2\%$
- RoHS compliant per 2002/95/EC



Dash #	"N" (1 – 2) (Turns)	"L" (1 – 2) min (H)	"DCR" (1 – 2) max (Ω)
-100	1000	1.8	130
-150	1500	4.0	325
-200	2000	7.1	680

Rev B, 12/09