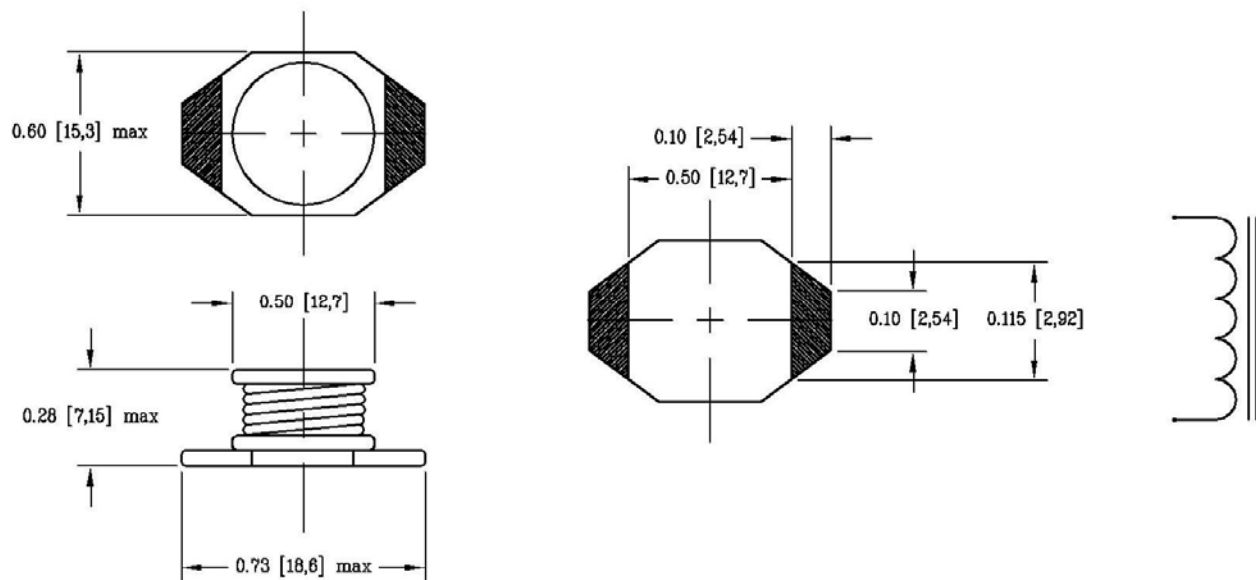


SML13-XXXX

Drum core, SMT power inductor

- Compact design, low height
- High current capacity
- Inductance range, 1.0uH – 1.0mH
- @Isat, “L” drops 10% from initial value
- Temperature range, -40 °C to 85 °C
- Packaging, 32mm blisterpack
- RoHS compliant per 2002/95/EC
- Other values available



Dash #	“L” ±20% (uH)	“DCR” max (mΩ)	“I” rms (A)	“I” sat (A)
-0000	1.0	9	8.6	20.0
-0002	2.2	14	7.1	16.0
-0003	3.3	15	6.2	14.0
-0006	5.6	20	5.3	12.0
-0010	10	31	4.3	10.0
-0015	15	36	4.0	8.0
-0022	22	47	3.5	7.0
-0033	33	66	3.0	5.5
-0047	47	86	2.6	4.5
-0068	68	130	2.3	3.5
-0100	100	190	1.8	3.0
-0150	150	250	1.5	2.6
-0220	220	380	1.2	2.4
-0330	330	560	1.0	1.9
-0470	470	850	0.82	1.4
-0680	680	1.1 Ω	0.72	1.2
-1000	1000	1.8 Ω	0.56	1.0