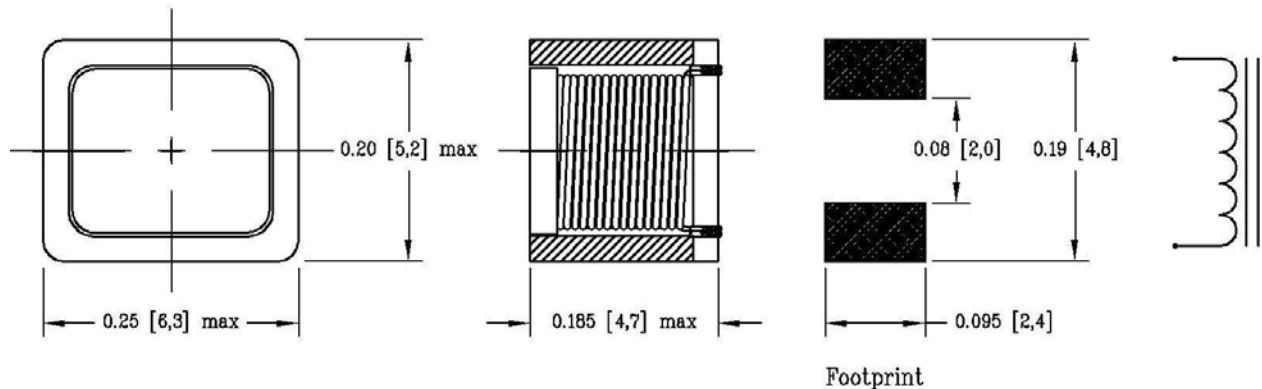


SMS2-XXXX

SMT shielded inductor

- Inductor is magnetically shielded
- Compact design
- Reflow solder rating, 260°C for 10sec
- Inductance range, 10uH – 10mH
- Temperature range, -40°C to 130°C
- Energy storage, 3 uWsec.
- Packaging, 1700pcs, 12mm blisterpack
- RoHS compliant per 2002/95/EC
- Other values available



Dash #	“L” ± 20% (uH)	“Q” min @500KHz	“SRF” min (MHz)	“DCR” max (mΩ)	“I” max (mA)
-0010	10	40	33	66	770
-0015	15	40	22	80	620
-0022	22	40	16	100	530
-0033	33	40	11	130	420
-0047	47	40	8.5	200	360
-0068	68	40	7.0	270	280
-0100	100	40	5.5	400	230
-0150	150	40	4.0	700	180
-0220	220	40	3.0	850	160
-0330	330	40	2.4	1.3 Ω	120
-0470	470	40	2.0	1.9 Ω	110
-0680	680	40	1.6	2.9 Ω	90
-1000	1.0 mH	45	1.3	4.2 Ω	70
-1500	1.5 mH	45	1.2	6.5 Ω	60
-2200	2.2 mH	40	1.0	9.6 Ω	50
-3300	3.3 mH	35	0.8	12.8 Ω	40
-4700	4.7 mH	25	0.7	18 Ω	35
-6800	6.8 mH	25	0.6	27 Ω	30
-9999	10 mH	30 @200KHz	0.5	43 Ω	25