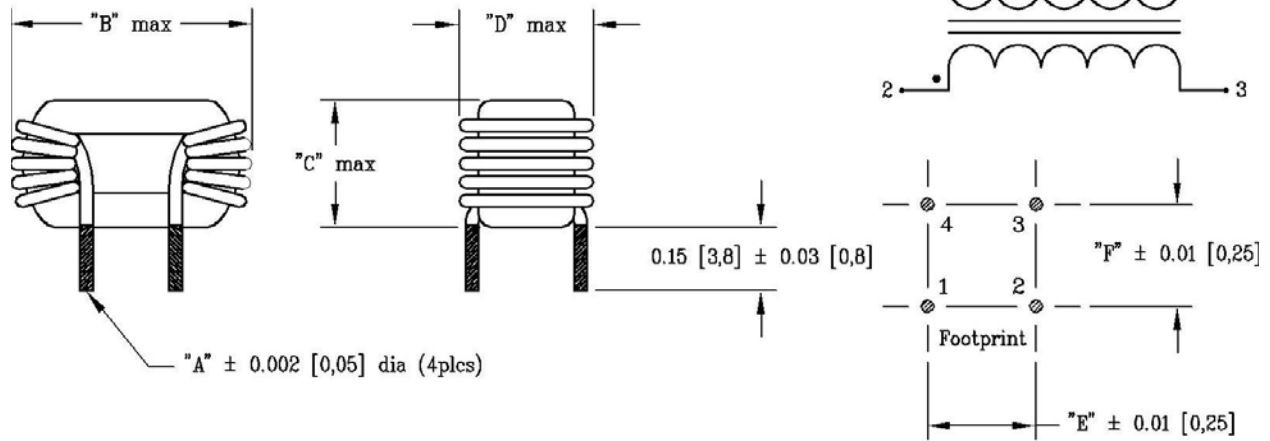


LMXX-XXX

Low profile, open frame, common mode filter

- Unique “low profile” toroidal construction
- Inductance balanced within 1% (1-4 & 2-3)
- Dielectric strength, 1500Vrms between windings
- Creepage / clearance distance 3mm minimum
- Temperature class, 130 °C
- Inductance test level, 100kHz @ 10mV
- “I” maximum rating reference only for 40 °C temperature rise
- RoHS compliant per 2002/95/EC



P/N	"B" " [mm]	"C" " [mm]	"D" " [mm]	"E" " [mm]	"E" " [mm]
LM30-XXX	1.05 [29,2]	0.53 [13,5]	0.57 [14,5]	0.400 [10,2]	0.400 [10,2]
LM40-XXX	1.05 [29,2]	0.53 [13,5]	0.83 [21,1]	0.400 [10,2]	0.650 [16,5]
LM50-XXX	1.42 [36,1]	0.63 [16,0]	0.85 [21,6]	0.500 [12,7]	0.650 [16,5]

LM30-XXX Dash #	“L” +25,-35% (uH)	“DCR” max (mΩ)	“I” max (Amps)	“L_L” max (uH)	“A” dia " [mm]
-008	112	4	14.8	3.0	0.057 [1,45]
-010	152	7	12.3	4.0	0.051 [1,30]
-013	198	10	10.2	5.0	0.045 [1,14]
-020	310	13	8.5	6.0	0.040 [1,02]
-030	446	17	7.0	8.0	0.036 [0,91]
-047	698	35	5.8	12	0.032 [0,81]
-082	1.240 mH	50	4.9	25	0.028 [0,71]
-185	2.790 mH	65	4.0	55	0.025 [0,64]

LM40-XXX Dash #	“L” +25,-35% (uH)	“DCR” max (mΩ)	“I” max (Amps)	“L_L” max (uH)	“A” dia " [mm]
-015	224	6	14.6	4.0	0.057 [1,45]
-021	305	10	12.2	6.0	0.051 [1,30]
-027	399	15	10.0	8.0	0.045 [1,14]
-043	623	20	8.3	12	0.040 [1,02]
-062	897	25	6.8	18	0.036 [0,91]
-097	1.402 mH	50	5.6	36	0.032 [0,81]
-172	2.492 mH	75	4.7	60	0.028 [0,71]
-385	5.607 mH	100	3.8	90	0.025 [0,64]

LM50-XXX Dash #	“L” +25,-35% (uH)	“DCR” max (mΩ)	“I” max (Amps)	“L_L” max (uH)	“A” dia " [mm]
-015	230	3	18.7	4.0	0.064 [1,63]
-021	314	5	14.6	6.0	0.057 [1,45]
-035	518	7	12.2	10	0.051 [1,30]
-043	640	10	10.0	12	0.045 [1,14]
-062	922	16	8.3	18	0.040 [1,02]
-097	1.440 mH	24	6.8	36	0.036 [0,91]
-155	2.310 mH	38	5.6	55	0.032 [0,81]
-269	4.000 mH	64	4.7	75	0.028 [0,71]