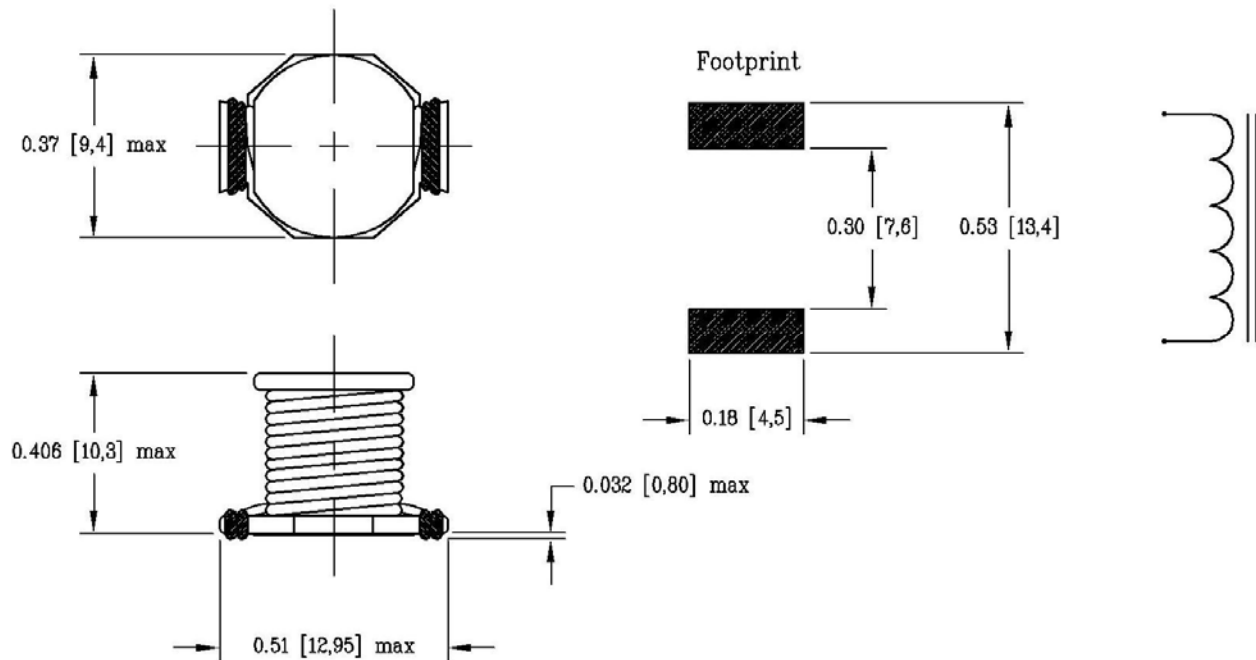


SML12-XXXX

Drum core, SMT inductor

- Compact design, High current capacity
- Reflow solder rating, 260°C for 10sec
- Temperature range, -40°C to 130°C
- Energy storage, 300 uWsec.
- Packaging, 700pcs, 24mm blisterpack
- RoHS compliant per 2002/95/EC
- Other values available



Dash #	“L” (uH)	Tol. (%)	“SRF” min (MHz)	“DCR” max (mΩ)	“I” max (A)
-0001	1.2	20	40	6	12.5
-0006	5.6	20	18	12	9.0
-0010	10	20	12	18	7.5
0047	47	20	4.0	60	3.7
-0068	68	10	3.0	90	3.0
-0100	100	10	1.5	130	2.5
-0470	470	10	0.8	600	1.1
-1000	1000	10	0.65	1400	0.75