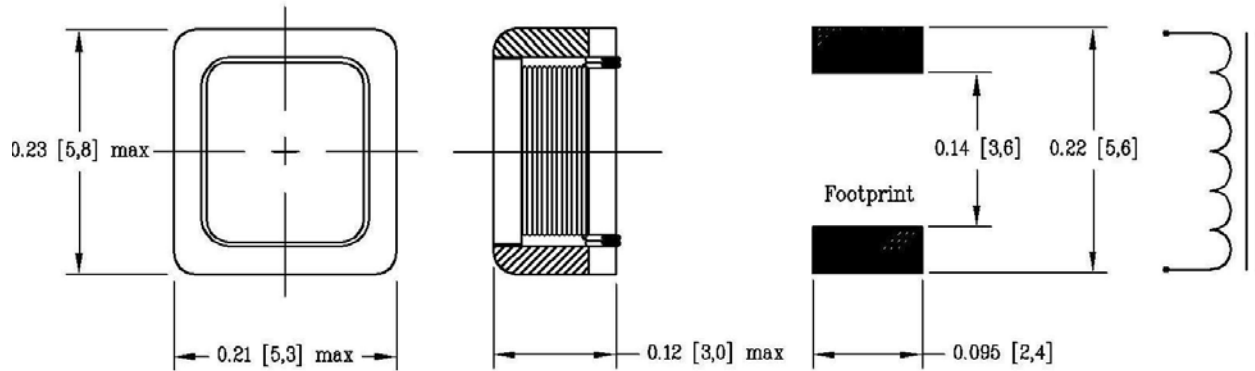


# SMS1-XXXX

## SMT shielded inductor

- Inductor is magnetically shielded
- Compact design, low height
- Reflow solder rating, 260°C for 10sec
- Inductance range, 1uH – 6.8mH
- Temperature range, -40°C to 130°C
- Energy storage, 3 uWsec.
- Packaging, 2500pcs, 12mm blisterpack
- RoHS compliant per 2002/95/EC
- Other values available



Dash #	“L” ± 20% (uH)	“Q” min	@ “F” (MHz)	“SRF” typ (MHz)	“DCR” max (mΩ)	“I” max (mA)
-0000	1.0	30	1.0	110	30	1800
-0001	1.5	40	1.0	85	35	1800
-0002	2.2	40	1.0	70	40	1600
-0003	3.3	65	1.0	55	50	1300
-0005	4.7	45	0.5	40	60	1100
-0007	6.8	70	0.5	35	70	900
-0010	10	60	0.5	30	100	750
-0015	15	50	0.5	25	120	600
-0022	22	40	0.5	20	150	500
-0033	33	60	0.5	16	220	400
-0047	47	60	0.5	14	360	350
-0068	68	70	0.5	11	480	300
-0100	100	70	0.5	10	650	240
-0150	150	70	0.5	6.5	950	190
-0220	220	70	0.5	5.5	1.6 Ω	160
-0330	330	80	0.5	4.6	2.3 Ω	130

<b>-0470</b>	470	80	0.5	4.0	3.5 Ω	110
<b>-0680</b>	680	80	0.5	3.3	4.8 Ω	90
<b>-1000</b>	1.0 mH	80	0.5	2.5	7.8 Ω	75
<b>-1500</b>	1.5 mH	80	0.5	2.0	9.5 Ω	60
<b>-2200</b>	2.2 mH	80	0.5	1.4	15 Ω	50
<b>-3300</b>	3.3 mH	80	0.5	1.2	20 Ω	40
<b>-4700</b>	4.7 mH	50	0.5	0.9	37 Ω	35
<b>-6800</b>	6.8 mH	40	0.2	0.8	55 Ω	30

Rev C, 7/08