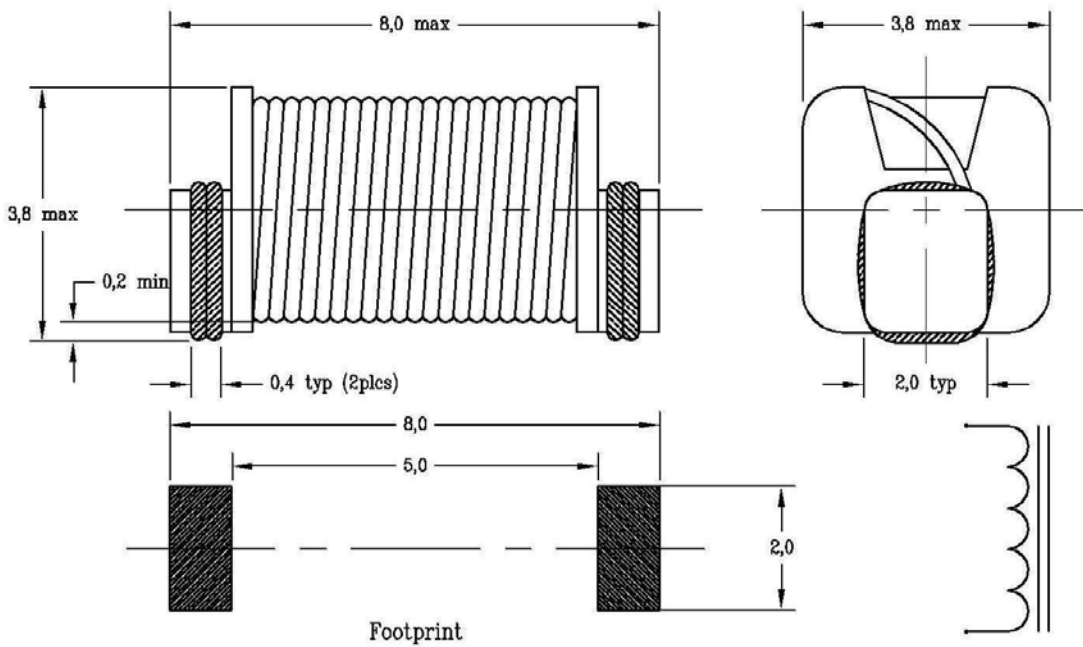


# SMH8-XXXX

## SMT horizontal inductor

- Compact design, High inductance / current capacity
- Temperature range, -40 °C to 125 °C
- Packaging, 16mm blisterpack
- Other values available



Dash #	“L” (uH)	Tol. (%)	“SRF” min (MHz)	“DCR” max (mΩ)	“I” max (A)
-0007	7	10	120	22	1.8