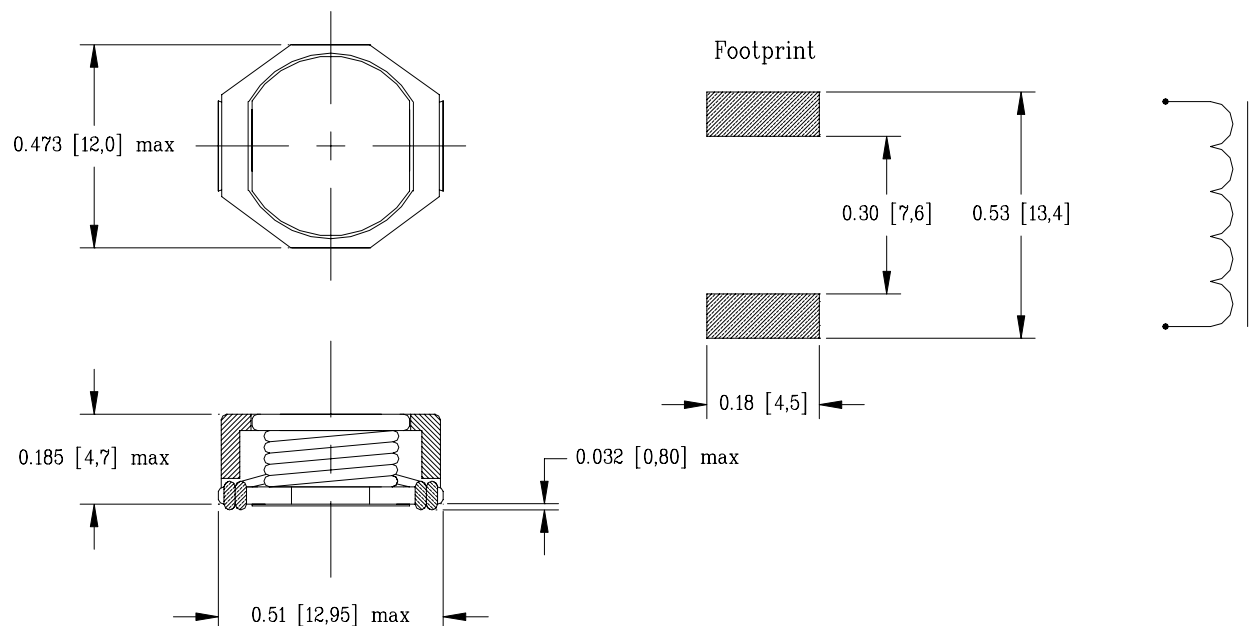


SMP11-XXXX

SMT shielded inductor

- Inductor is magnetically shielded
- Precision matched gap provides high I_{sat}
- Compact design, low height
- Reflow solder rating, 260°C for 10sec
- Inductance range, 10uH – 10mH
- Temperature range, -40°C to 130°C
- Energy storage, 17 uWsec.
- Packaging, 700pcs, 24mm blisterpack
- RoHS compliant per 2002/95/EC
- Other values available



Dash #	“L” ± 20% (uH)	“SRF” min (MHz)	“DCR” max (mΩ)	“I” max (mA)
-0010	10	10	24	3000
-0022	22	8.0	35	2000
-0047	47	6.0	70	1400
-0100	100	4.0	140	1000
-0220	220	2.0	270	650
-0470	470	0.8	620	440
-1000	1.0 mH	0.6	1.2 Ω	300
-2200	2.2 mH	0.4	2.8 Ω	200
-4700	4.7 mH	0.3	6.9 Ω	140
-9999	10 mH	0.1	12.5 Ω	95