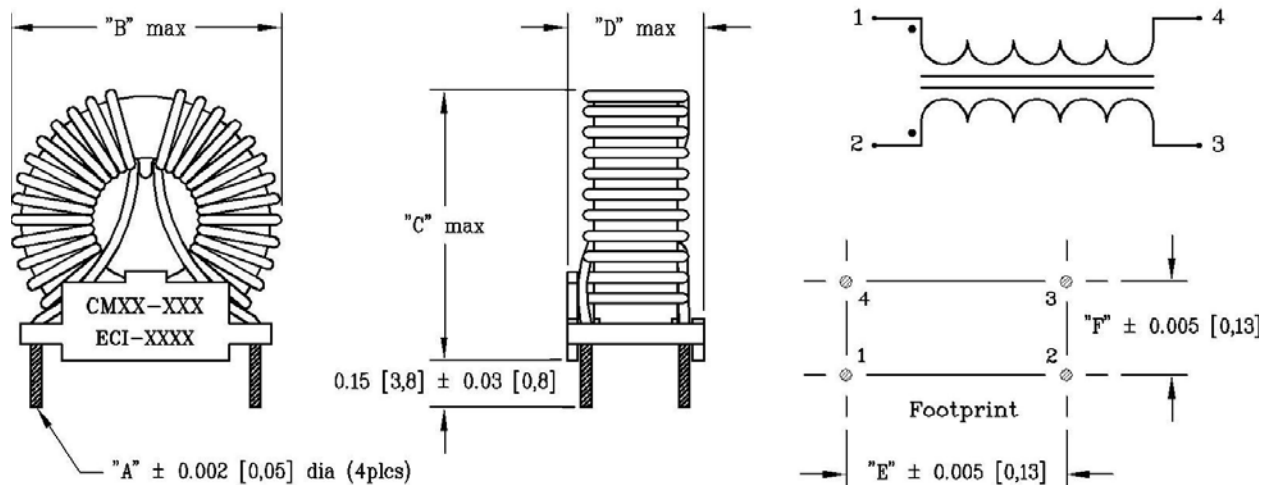
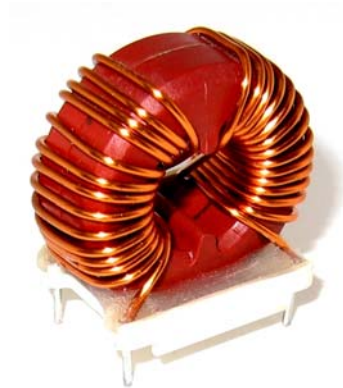


CMXX-XXX

Vertical mount, open frame, common mode filter

- Single layer winding for minimum capacitance / greatest bandwidth
- Inductance balanced within 1% (1-4 & 2-3)
- Dielectric strength, 2000Vrms between windings
- Creepage / clearance distance 3mm minimum
- Temperature class, 130 °C
- Inductance test level, 100kHz @ 10mV
- "I" maximum rating reference only for 40 °C temperature rise
- RoHS compliant per 2002/95/EC



P/N	"B" " [mm]	"C" " [mm]	"D" " [mm]	"E" " [mm]	"F" " [mm]
CM10-XXX	1.06 [26,9]	1.10 [27,9]	0.62 [15,7]	0.800 [20,3]	0.400 [10,2]
CM15-XXX	1.36 [34,5]	1.34 [34,0]	0.81 [20,6]	0.900 [22,9]	0.600 [15,2]
CM20-XXX	1.76 [44,7]	1.70 [43,2]	0.93 [23,6]	1.200 [30,5]	0.700 [17,8]
CM30-XXX	2.50 [63,5]	2.40 [61,0]	1.20 [30,5]	1.500 [38,1]	0.900 [22,9]

CM10-XXX Dash #	"L" ± 25% (mH)	"DCR" max (mΩ)	"I" max (Amps)	"L _L " max (uH)	"A" dia " [mm]
-020	324 uH	7.5	11.4	4.3	0.045 [1,14]
-029	467 uH	11	9.2	6.9	0.040 [1,02]
-039	635 uH	16	7.6	9.5	0.036 [0,91]
-051	829 uH	22	6.3	12	0.032 [0,81]
-065	1.050	31	5.2	15	0.028 [0,71]
-089	1.429	45	4.3	20	0.050 [1,27]
-116	1.866	64	3.5	26	0.050 [1,27]
-147	2.362	91	2.9	30	0.050 [1,27]
-194	3.114	130	2.4	42	0.050 [1,27]
-234	3.745	180	2.0	51	0.050 [1,27]

CM15-XXX Dash #	"L" ± 25% (mH)	"DCR" max (mΩ)	"I" max (Amps)	"L _L " max (uH)	"A" dia " [mm]
-055	745 uH	7	16.3	11	0.057 [1,45]
-080	1.073	10	13.6	16	0.050 [1,27]
-094	1.259	14	11.1	19	0.045 [1,14]
-125	1.676	19	9.0	25	0.040 [1,02]
-161	2.153	25	7.4	32	0.050 [1,27]
-223	2.980	37	6.0	45	0.050 [1,27]
-270	3.606	50	5.1	54	0.050 [1,27]
-349	4.656	72	4.2	70	0.050 [1,27]
-438	5.841	105	3.5	88	0.050 [1,27]
-572	7.629	145	2.9	115	0.050 [1,27]

CM20-XXX Dash #	"L" ± 25% (mH)	"DCR" max (mΩ)	"I" max (Amps)	"L _L " max (uH)	"A" dia " [mm]
-079	1.268	8	18.6	12	0.064 [1,63]
-105	1.688	11	15.0	17	0.057 [1,45]
-135	2.168	16	12.3	23	0.050 [1,27]
-207	3.308	24	10.2	31	0.045 [1,14]
-248	3.968	33	8.5	37	0.040 [1,02]
-394	6.308	51	7.2	57	0.050 [1,27]
-480	7.680	71	6.0	75	0.050 [1,27]
-608	9.720	100	5.1	98	0.050 [1,27]
-713	11.408	137	4.0	109	0.050 [1,27]
-867	13.868	189	3.4	140	0.050 [1,27]

CM30-XXX Dash #	“L” ± 25% (mH)	“DCR” max (mΩ)	“I” max (Amps)	“L_L” max (uH)	“A” dia " [mm]
-008	1.020	5	31.0	14	0.091 [2,31]
-010	1.388	7	26.0	18	0.081 [2,06]
-015	2.046	10	21.6	28	0.072 [1,83]
-021	2.832	14	17.8	39	0.064 [1,63]
-028	3.745	20	14.8	50	0.057 [1,45]
-042	5.551	31	12.2	75	0.050 [1,27]
-054	7.250	44	10.2	100	0.050 [1,27]
-061	8.184	59	8.4	120	0.050 [1,27]
-081	10.769	84	7.0	151	0.050 [1,27]
-128	16.999	132	5.7	219	0.050 [1,27]