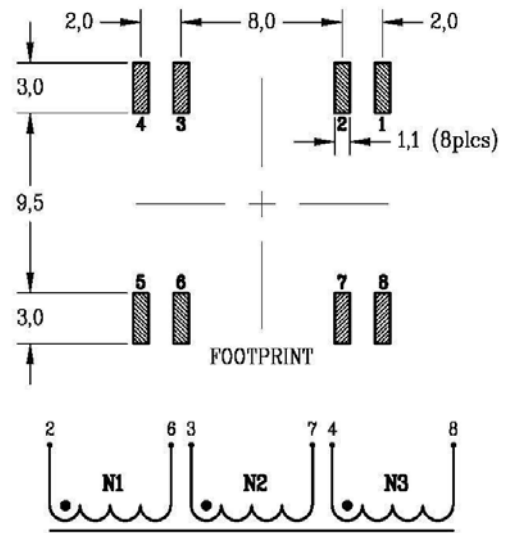
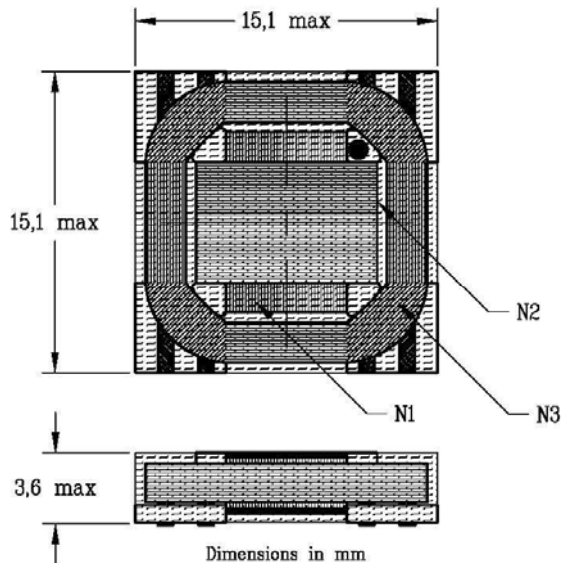
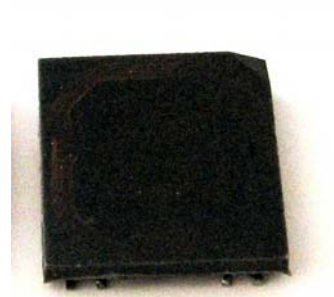


# 3D6-36XX

## SMT 3-D Transponder Coil

- Antenna applications
  - Keyless entry, Keyless go, RFID
- Compact design, low height, Isotropic
- Fully encapsulated construction
- Reflow solder rating: 260°C for 10sec
- Operating temperature: -40°C to +125°C
- RoHS compliant per 2002/95/EC
- Packaging: 700pcs, blisterpack
- Custom values available



Dash #	“L” (mH) ± 5% N1 / N2 / N3	Test Freq. (kHz)	“Q” min N1 / N2 / N3	“DCR” (Ω)max N1 / N2 / N3
-3601	2.38 / 2.38 / 3.45	125	18 / 18 / 26	70 / 70 / 90
-3602	2.47 / 2.47 / 2.47	125	22 / 22 / 22	55 / 55 / 76

Rev -, 8/09