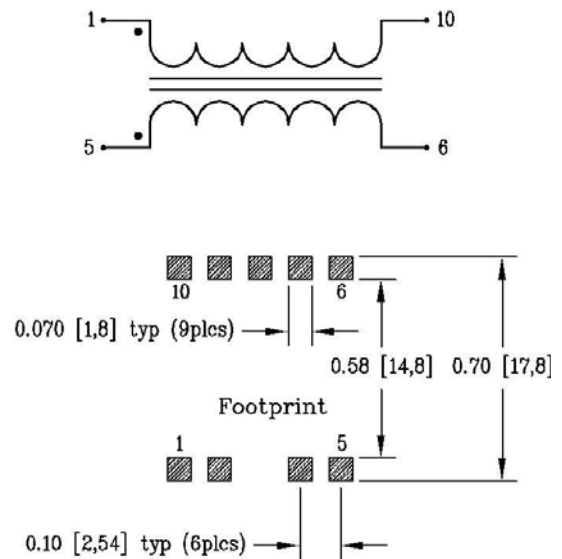
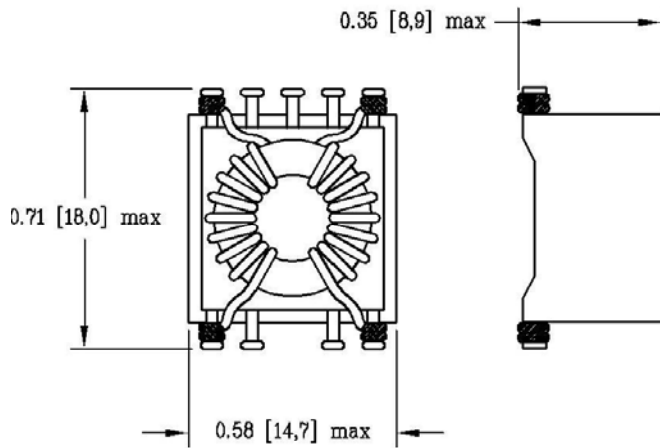


SML5-XXXX

Surface mount, common mode filter

- Compact design
- Soldering temperature 230 °C, 5 seconds
- Single layer winding for minimum capacitance
- Inductance balanced within 1% (1-10 & 5-6)
- Dielectric strength, 1500Vdc between windings
- Temperature class, 130 °C
- Inductance test level, 10kHz @ 10mV
- RoHS compliant per 2002/95/EC
- Packaging, 350pcs, 24mm blisterpack



Dash #	“L” +30/-40% (mH)	“DCR” max (mΩ)	“T” max (Amps)
-0100	100 uH	11.2	3.2
-0200	200 uH	14.8	3.2
-0330	330 uH	18.3	3.2
-0500	500 uH	22.0	3.2
-0590	590 uH	30.1	2.5
-0690	690 uH	32.4	2.5
-0800	800 uH	34.6	2.5
-0920	920 uH	36.9	2.5
-1000	1.00	25.0	3.3

-1050	1.05	49.0	2.0
-1200	1.20	25.0	3.0
-1500	1.50	35.0	2.7
-1800	1.80	35.0	2.5
-2200	2.20	40.0	2.2
-2700	2.70	55.0	2.1
-3300	3.30	60.0	1.8
-3900	3.90	80.0	1.6
-4700	4.70	90.0	1.5
-5600	5.60	95.0	1.4
-6800	6.80	110	1.3
-8200	8.20	140	1.2
-10k0	10.0	160	1.1
-12k0	12.0	220	1.0
-15k0	15.0	240	0.8
-18k0	18.0	330	0.8
-22k0	22.0	360	0.7
-27k0	27.0	500	0.6
-33k0	33.0	550	0.6
-39k0	39.0	730	0.5
-47k0	47.0	1000	0.5

Rev B, 12/09