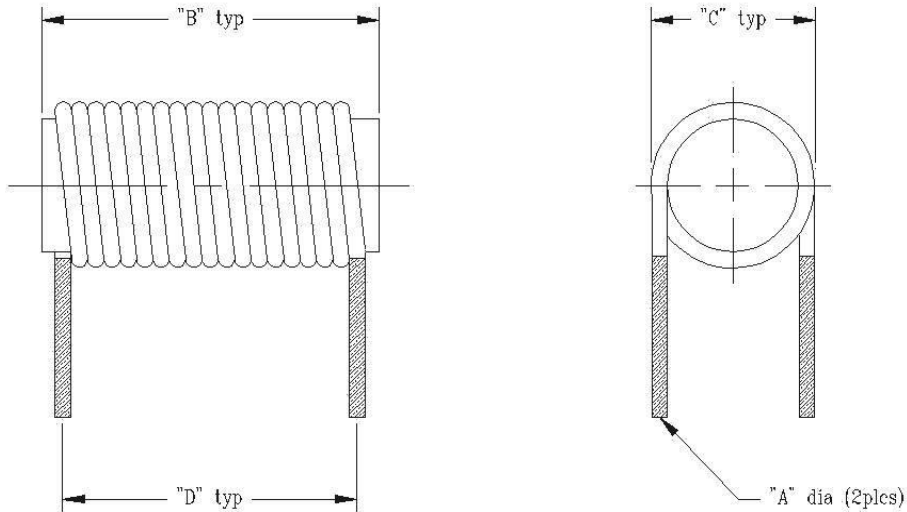


RLH2-XXXX

Horizontal mount, rod core inductor

- Compact design
- Temperature class, 130 °C
- Inductance test level, 100kHz @ 10mV
- Leads tinned to seating plane
- RoHS compliant per 2002/95/EC



Dash #	“L” ± 10% (uH)	“DCR” max (mΩ)	“I” max (Amps)	“A” dia “ [mm]	“B” “ [mm]	“C” “ [mm]	“D” “ [mm]
-0000	0.5	20	5.0	0.018 [0,45]	0.26 [6,7]	0.12 [3,0]	0.17 [4,3]
-0001	0.7	20	4.2	0.016 [0,40]	0.26 [6,7]	0.12 [3,0]	0.19 [4,8]
-0002	1.0	30	3.5	0.014 [0,35]	0.26 [6,7]	0.12 [3,0]	0.22 [5,5]
-0003	1.5	20	2.6	0.018 [0,45]	0.39 [9,8]	0.12 [3,0]	0.31 [7,8]
-0004	2.0	30	3.8	0.016 [0,40]	0.45 [11,5]	0.18 [4,6]	0.20 [5,2]
-0005	2.2	20	6.0	0.024 [0,60]	0.59 [15,0]	0.22 [5,5]	0.28 [7,0]
-0006	2.4	10	4.0	0.028 [0,71]	0.65 [16,5]	0.18 [4,6]	0.57 [14,4]
-0007	2.5	40	2.2	0.014 [0,35]	0.39 [9,8]	0.12 [3,0]	0.31 [7,8]
-0008	3.0	50	2.0	0.012 [0,30]	0.39 [9,8]	0.12 [3,0]	0.29 [7,3]
-0009	4.0	40	1.4	0.016 [0,40]	0.53 [13,4]	0.12 [3,0]	0.47 [12,0]
-0010	4.7	20	5.0	0.022 [0,56]	0.79 [20,0]	0.21 [5,3]	0.35 [9,0]
-0011	5.5	30	5.0	0.022 [0,56]	0.79 [20,0]	0.21 [5,3]	0.40 [10,2]
-0012	5.6	50	1.2	0.014 [0,35]	0.53 [13,4]	0.12 [3,0]	0.44 [11,2]
-0013	7.0	100	1.8	0.011 [0,28]	0.39 [10,0]	0.16 [4,0]	0.32 [8,0]
-0014	8.0	30	3.9	0.024 [0,60]	0.79 [20,0]	0.22 [5,5]	0.58 [14,8]
-0015	10	40	3.6	0.022 [0,56]	0.79 [20,0]	0.22 [5,5]	0.59 [15,0]
-0016	15	60	3.0	0.018 [0,45]	0.79 [20,0]	0.22 [5,5]	0.56 [14,2]
-0017	25	70	2.5	0.018 [0,45]	0.98 [25,0]	0.22 [5,5]	0.68 [17,2]
-0018	28	80	1.7	0.018 [0,45]	0.98 [25,0]	0.22 [5,5]	0.74 [18,7]