

.020 [0.50] BOARD TO BOARD PLUG



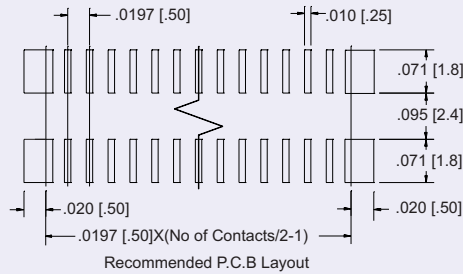
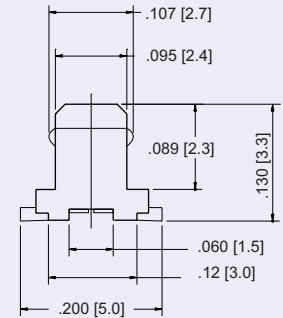
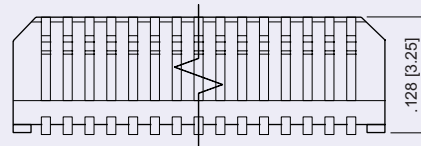
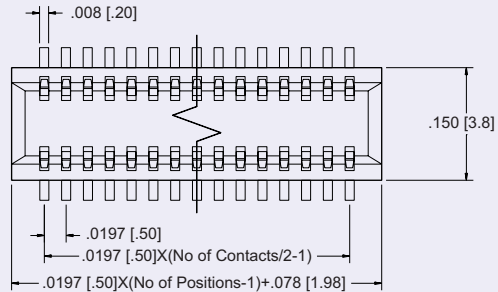
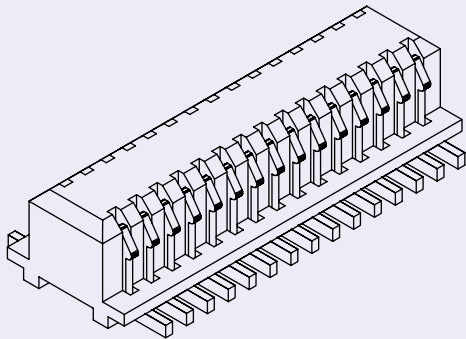
Specifications

Current Rating: 0.3 Amps
Insulator Resistance: 100 Megohms min
Contact Resistance: 60 m ohm max
Dielectric Withstanding: AC 500V
Operating Temperature: -40°~± 85° C
Max Processing Temp: 230° C to 60 seconds
Contact Material: Phosphor Bronze
Insulator Material: High Temperature Thermoplastic. UL 94V-0



Recognized under the recognized component Program of Underwriters Laboratories, Inc.

Products specifications are subject to be changed without notice.



Dimensions are in inches [mm]

PART NUMBERING



SERIES CODE

NO. OF CONTACTS

10 to 98
 100 Contacts =A0
 120 Contacts =C0

CONTACT PLATING

Lead Free & RoHS Compliant
 .000050" Nickel underplate
 CONTACT
 03 = Gold Flash
 85 = 15µ" Gold
 90 = 30µ" Gold

PACKAGING

MT = Metal Pad + Tube
 MR = Metal Pad + Reel

CONSULT FACTORY FOR CONNECTORS BUILT TO YOUR DESIGN