

- ▶ Wide Bandwidth
- ▶ RoHS Compliant (Note 7 Exemption)
- ▶ Low insertion loss
- ▶ Excellent spurious suppression

LTS SERIES CERAMIC FILTER

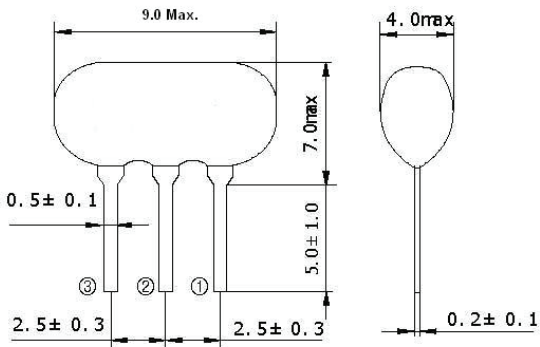
The LTS Series ceramic filter is used for TV 4.5 / 5.5 / 6.0 / 6.5 MHz (TV SIF stage use).



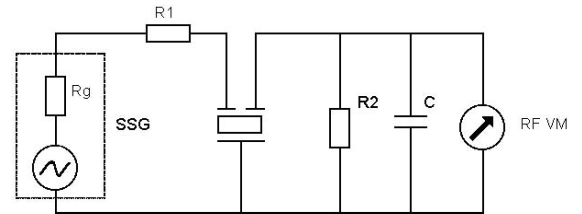
OPERATING CONDITIONS / ELECTRICAL CHARACTERISTICS

PART NUMBER	Unit	LTS4.5MCB	LTS5.5MCB	LTS6.0MCB	LTS6.5MCB
Nominal Center Frequency (Fo)	MHz	4.50	5.50	6.00	6.50
3 dB Bandwidth	KHz	± 60 KHz Min.	± 60 KHz Min.	± 60 KHz Min.	± 70 KHz Min.
20 dB Bandwidth	KHz	600 KHz Max.	600 KHz Max.	600 KHz Max.	650 KHz Max.
Insertion Loss	dB	6 dB Max.	6 dB Max.	6 dB Max.	6 dB Max.
Spurious Response	dB	30 Min. 0 ~ 4.5 MHz	30 Min. 0 ~ 6.0 MHz	30 Min. 0 ~ 6.0 MHz	30 Min. 0 ~ 6.5 MHz
		15 Min. 4.5 ~ 7.0 MHz	15 Min. 6.0 ~ 7.0 MHz	15 Min. 6.0 ~ 7.5 MHz	15 Min. 6.5 ~ 8.0 MHz
		30 Min. 7.0 ~ 10.0 MHz	30 Min. 7.0 ~ 10.0 MHz	30 Min. 7.5 ~ 10.0 MHz	30 Min. 8.0 ~ 10.0 MHz
Withstanding Voltage	V	DC 50V (1 Min.)	DC 50V (1 Min.)	DC 50V (1 Min.)	DC 50V (1 Min.)
Insulation Resistance	MΩ	100 MΩ Min.	100 MΩ Min.	100 MΩ Min.	100 MΩ Min.
Temp Characteristics	ppm/°C	±100 ppm/°C Max.	±100 ppm/°C Max.	±100 ppm/°C Max.	±100 ppm/°C Max.
Operating Temperature	°C	-25 ~ +85°C	-25 ~ +85°C	-25 ~ +85°C	-25 ~ +85°C
Storage Temperature	°C	-40 ~ +85°C	-40 ~ +85°C	-40 ~ +85°C	-40 ~ +85°C
Input/Output Impedance	Ω	1000Ω	600Ω	470Ω	470Ω

PACKAGE DIMENSIONS (mm)



PIN CONNECTIONS	
#1	In/Out
#2	Ground
#3	Out/In



$R_g + R_1 = R_2$
 $C = 10 \text{ pF}$ (including stray)

Fo	R2
4.5 MHz	1K Ω
5.5 MHz	600 Ω
6.0 MHz	470 Ω
6.5 MHz	470 Ω

Figure 1) ECS-LTS Series - Side & End Views

Figure 2) Test Circuit