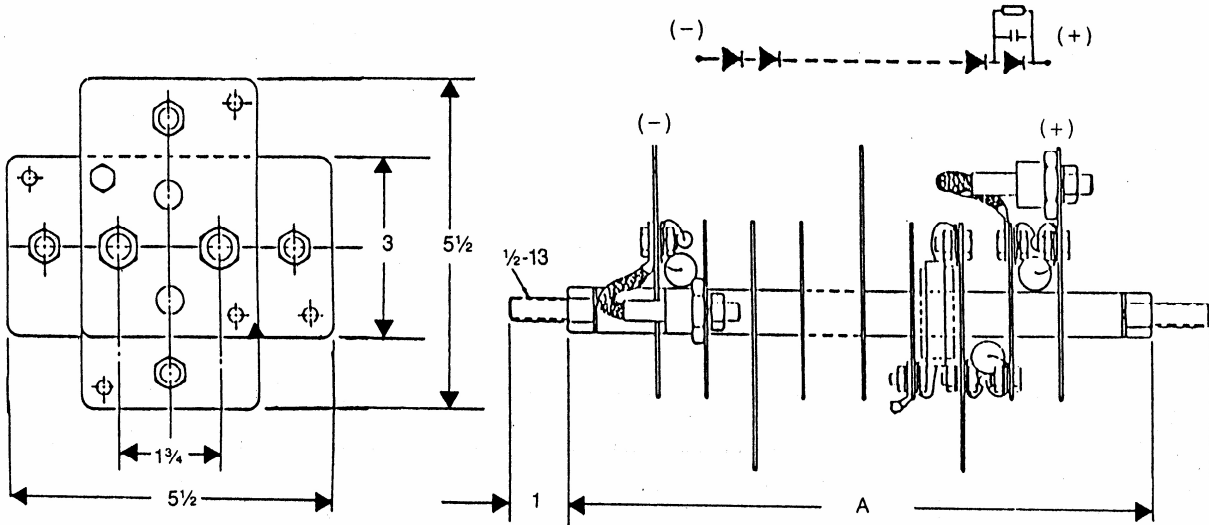
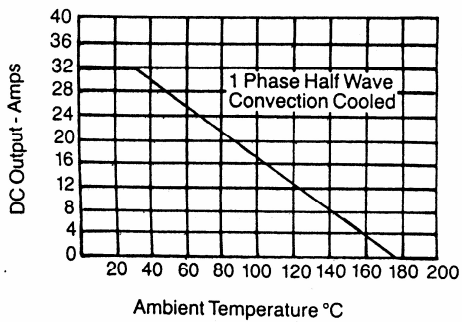


Silicon High Voltage Assembly



PIV (KV)	A IN	PART NO.	I <sub>s</sub> AMPS
8	10.125	8G6H	1800
12	13.625	12G6H	
16	17.125	16G6H	
20	20.625	20G6H	
24	24.125	24G6H	
28	27.625	28G6H	
32	31.125	32G6H	



CIRCUIT  
SURGE CURRENT  
PRV  
DC OUTPUT

SINGLE PHASE HALF WAVE  
SINGLE CYCLE SEE I<sub>s</sub>  
SEE TABLE  
SEE CURVES

(203) 467-2591 TEL  
(203) 469-5928 FAX  
Email: Info@ edal.com  
Internet: http://www.edal.com

***EDAL*** industries, inc.

51 Commerce St. East Haven, CT 06512