

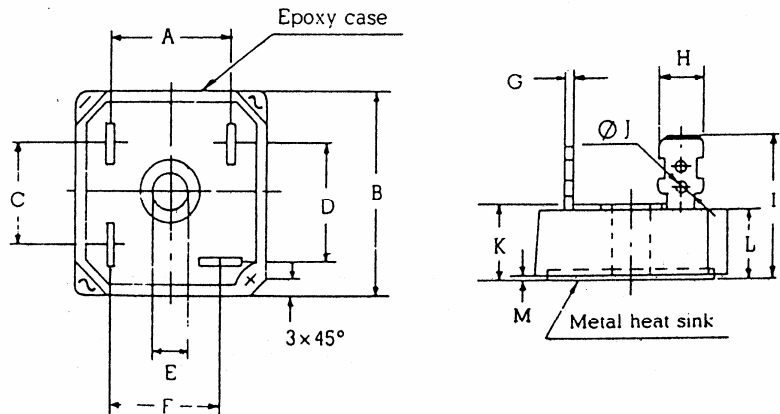
Edal

SERIES BR1203

SILICON FAST RECOVERY BRIDGE RECTIFIER

(PLASTIC CASE WITH METAL HEAT SINK)

DIM.	INCHES		MILLIMETERS	
	MIN.	MAX.	MIN.	MAX.
A	0.688	0.728	17.5	18.5
B	1.12	1.13	28.4	28.7
C	0.53	0.57	13.5	14.5
D	0.618	0.658	15.7	16.7
E	0.20	0.21	5.1	5.3
F	0.618	0.658	15.7	16.7
G	0.028	0.032	0.71	0.84
H	0.248	0.252	6.3	6.40
I	0.826	0.905	21.0	23.0
J	0.09	0.10	2.4	2.6
K	0.28	0.31	7.30	7.90
L	0.28	0.31	7.30	7.90
M	0.004	0.008	0.1	0.2



PART NUMBER	MAX AVG. RECT CURRENT If (AV) @ TAR LOAD		INPUT VOLTAGE RECOMMENDED	PIV	MAX. FORWARD PEAK SURGE CURRENT Ifsm	MAX. FORWARD VOLTAGE @ Ta = 25° C Ir		MAX. REV CURRENT @ Ta = 25° C Ir	MAX. REVERSE RECOVERY TIME Trr
	(A)	(C)	Vrms	Vrrm	(A)	(V)	(A)	(uA)	(nS)
BR1203-5-1	35	55	20	50	400	1.3	17.5	10	150
BR1203-10-1	35	55	40	100	400	1.3	17.5	10	150
BR1203-20-1	35	55	80	200	400	1.3	17.5	10	150
BR1203-40-1	35	55	125	400	400	1.3	17.5	10	150
BR1203-60-1	35	55	250	600	400	1.3	17.5	10	250
BR1203-80-1	35	55	380	800	400	1.3	17.5	10	500
BR1203-100-1	35	55	440	1000	400	1.3	17.5	10	500

THE PLASTIC MATERIAL CARRIES U/L RECOGNITION 94 V-O

(203) 467-2591 TEL
 (203) 469-5928 FAX
 Email: Info@ edal.com
 Internet: http://www.edal.com

EDAL industries, inc.
 51 Commerce St. East Haven, CT 06512

FIG. 1 TYPICAL FORWARD CURRENT DERATING CURVE

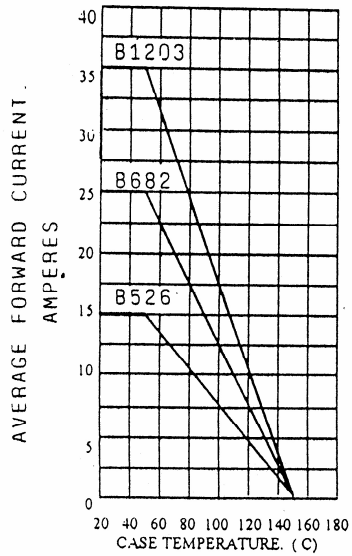


FIG. 2 MAXIMUM NON-REPETITIVE SURGE CURRENT

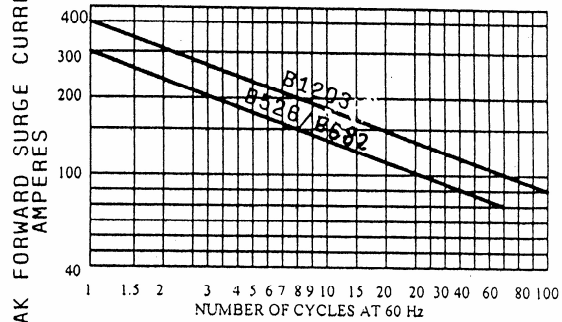


FIG. 3 TYPICAL REVERSE CHARACTERISTICS

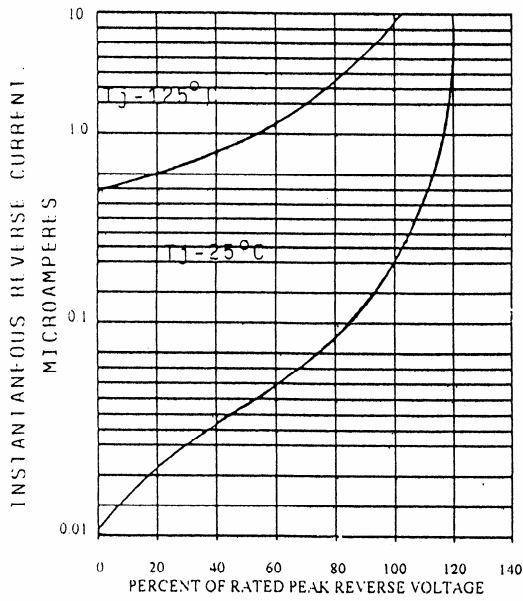
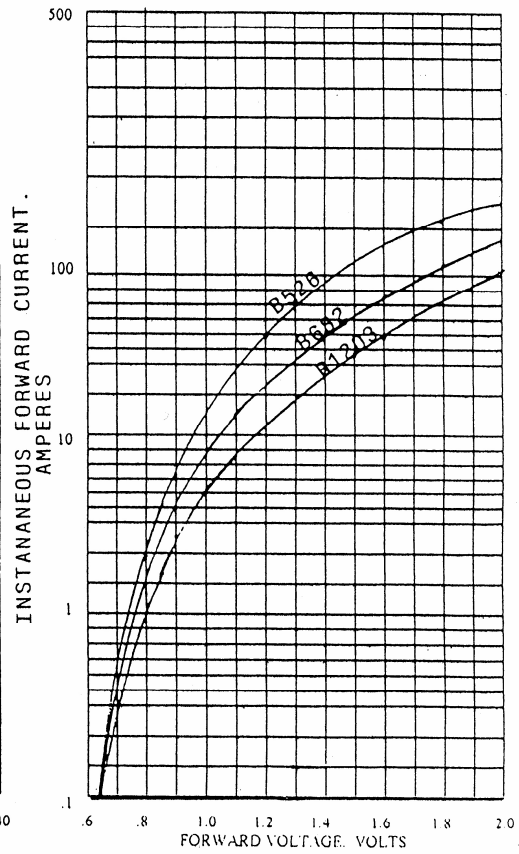


FIG. 4 TYPICAL FORWARD CHARACTERISTICS



(203) 467-2591 TEL
 (203) 469-5928 FAX
 Email: Info@edal.com
 Internet: <http://www.edal.com>

EDAL industries, inc.
 51 Commerce St. East Haven, CT 06512