

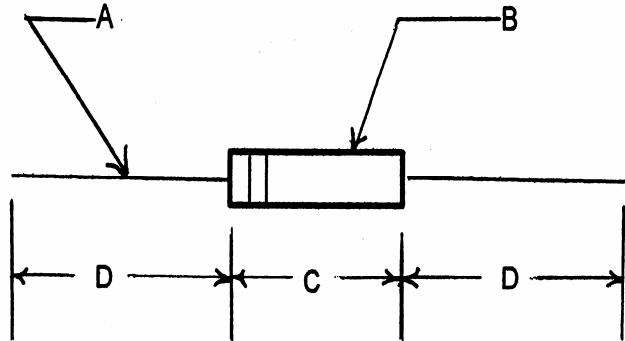
Edal

SERIES BR757

SUB-MINIATURE SILICON HIGH VOLTAGE FAST RECOVERY RECTIFIER

INCHES

DIM.	MIN.	MAX.
A	.019	.022
B	.120	.125
C	.395	.405
D	.875	



PART NUMBER	PIV VOLTS	$I_o$ ma 40° C	$V_f I_o$ @ 25° C	$I_r$ @ PIV @ 25° C	MAX SINGLE CYCLE SURGE CURRENT
BR757-50	5000	50	10	2 uA	25 AMPS
BR757-60	6000	25	12	2 uA	25 AMPS
BR757-70	7000	25	15	2 uA	25 AMPS
BR757-80	8000	25	18	2 uA	25 AMPS
BR757-100	10000	25	18	2 uA	25 AMPS
BR757-120	12000	25	23	2 uA	25 AMPS
BR757-150	15000	25	38	2 uA	25 AMPS
BR757-200	20000	25	45	2 uA	25 AMPS

RECOVERY TIME:  $I_o = 2\text{mA}$  to  $4\text{mA}$  to  $1\text{ mA} - 250\text{ n SEC.}$

(203) 467-2591 TEL  
 (203) 469-5928 FAX  
 Email: info @ edal.com  
 Internet: <http://www.edal.com>

***EDAL*** industries, inc.

51 Commerce St. East Haven, CT 06512