

1

2

3

4

A

B

C

D

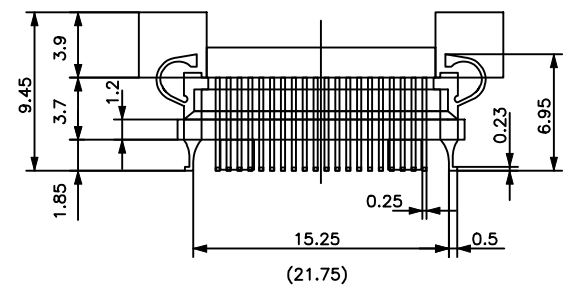
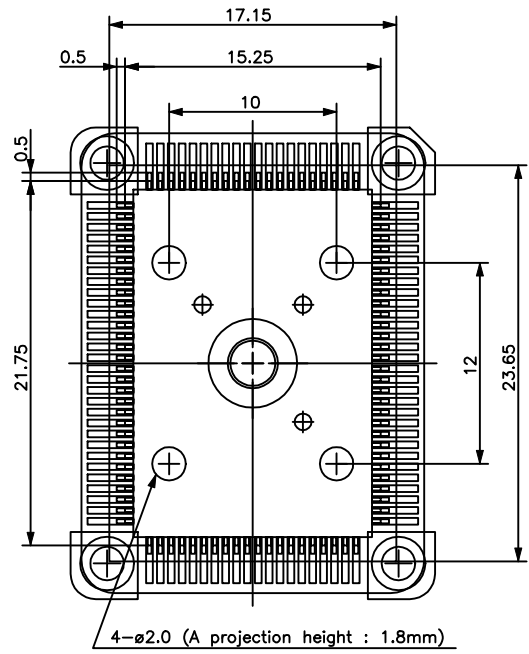
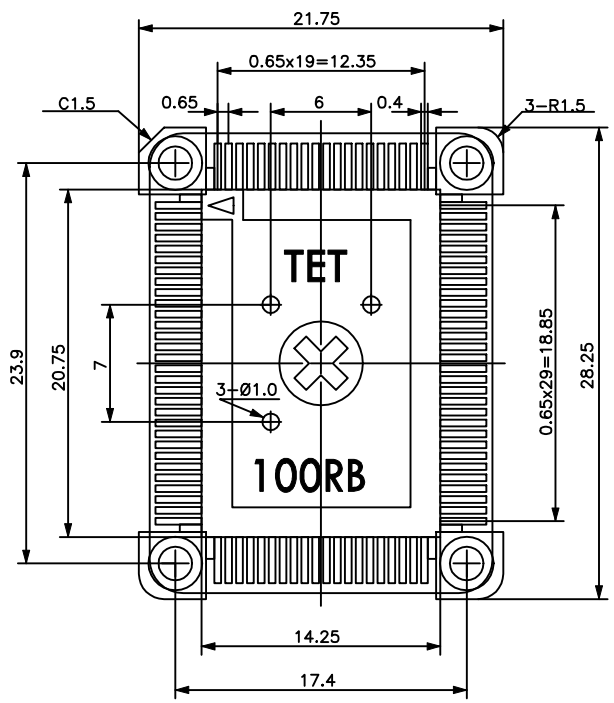
A

B

C

D


REVISIONS				
ZONE	REV	DESCRIPTION	DATE	APPROVED



IC package	Rectangle
Pin count	100Pin
Lead pitch	0.65mm

DRAWING NOT TO SCALE

ALL DIMENSIONS ARE IN MILLIMETERS

 <a href="http://www.adapters.com">www.adapters.com</a>	<b>adapters.com</b> <i>An Embedded Systems Solutions Company</i>		
	DESCRIPTION: <b>BASE-NQ-100Q65R-SMT</b>		
TEL:(408)855-8527 FAX:(408)855-8528 3024 Scott Blvd. Santa Clara, CA 95054	SIZE <b>A</b>	DATE: <b>12-11-01</b>	PART NO. <b>000-2233</b>
SCALE <b>1:1</b>	CHECKED: <b>Gabor Kardos</b>	DRAWN BY: <b>S. Barcellos</b>	REV SHEET

1

2

3

4

