

1

2

3

4

A

B

C

D

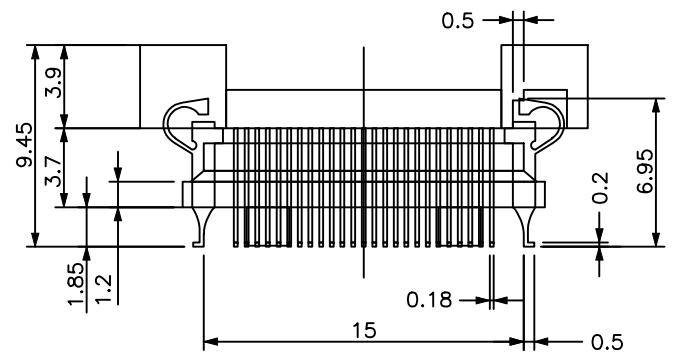
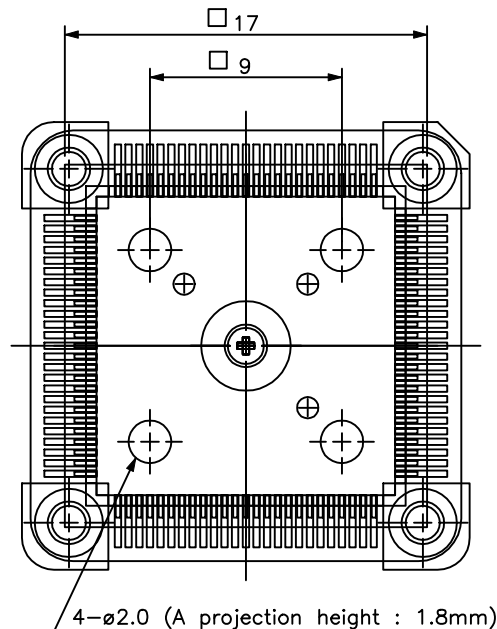
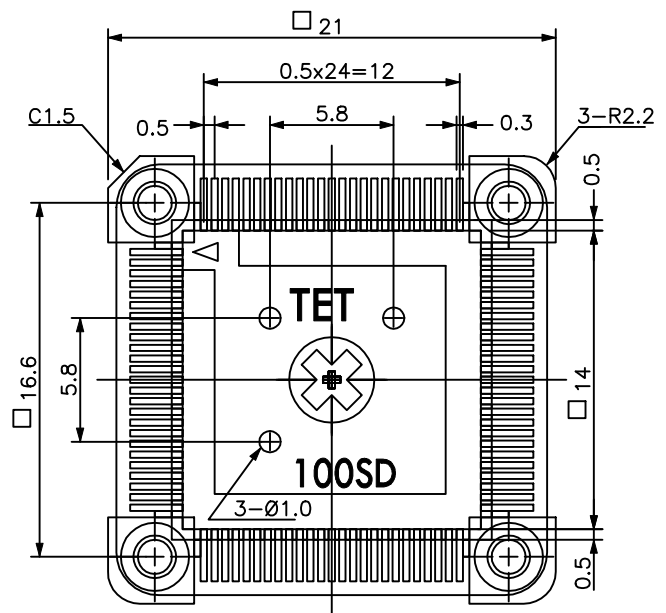
A

B

C

D


REVISIONS				
ZONE	REV	DESCRIPTION	DATE	APPROVED



IC package	Square
Pin count	100Pin
Lead pitch	0.5mm

DRAWING NOT TO SCALE

ALL DIMENSIONS ARE IN MILLIMETERS

 www.adapters.com	adapters.com <i>An Embedded Systems Solutions Company</i>		
	DESCRIPTION: BASE-NQ-100Q5-SMT		
TEL:(408)855-8527 FAX:(408)855-8528 3024 Scott Blvd. Santa Clara, CA 95054	SIZE A	DATE: 12-11-01	PART NO. 000-2225
SCALE 1:1	CHECKED: Gabor Kardos	DRAWN BY: S. Barcellos	REV SHEET

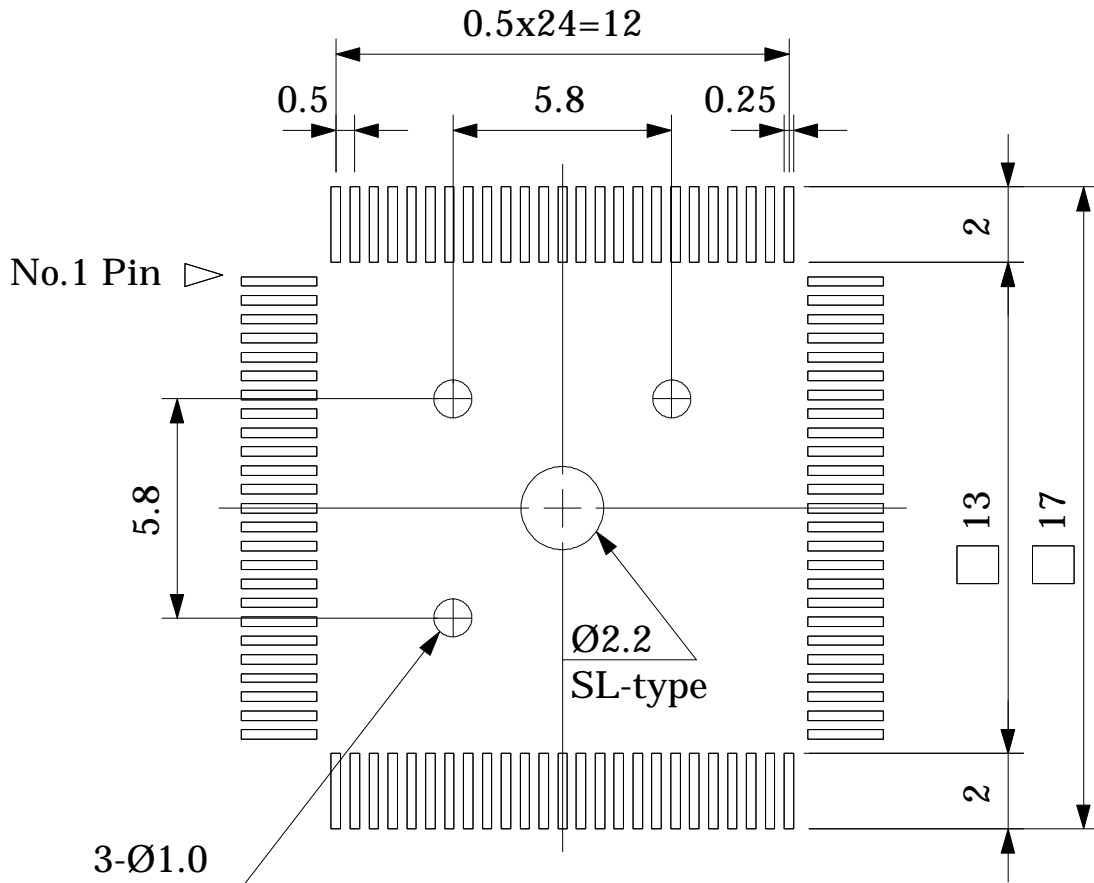
1

2

3

4

Recommended a Footprint pattern of NQPACK100SD



* Recommended foot pattern shown on left is for NQPACK soldering.
But please refer to IC package foot pattern recommended by IC manufacturer
also, when the package is soldered on the same foot pattern.

Part No.	NQPACK100SD
IC package	Square
Pin count	100Pin
Lead pitch	0.5mm
Unit : mm	Design : M.H
TET TOKYO ELETECH CORP.	