

1

2

3

4

A

A

B

B

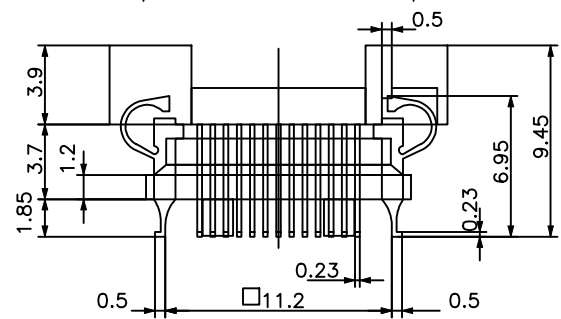
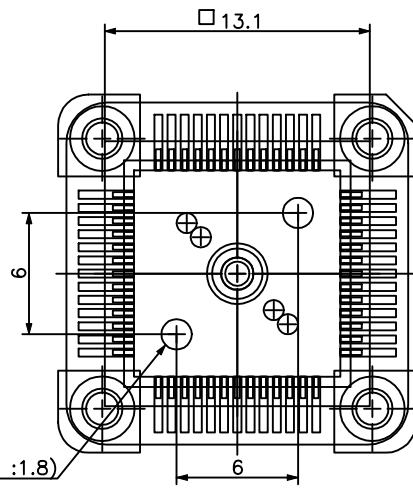
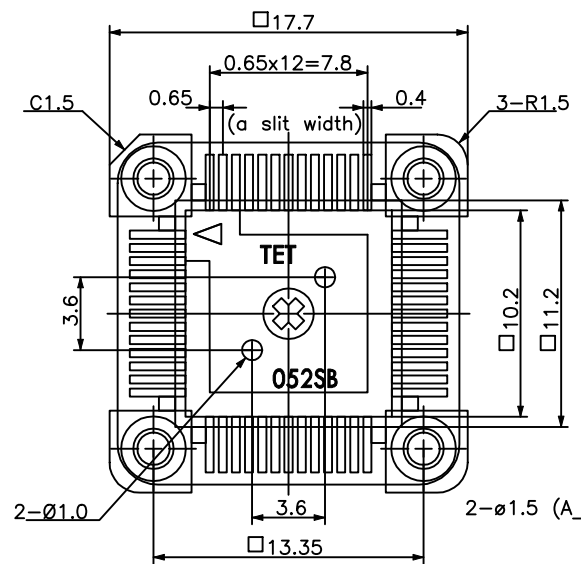
C

C

D

D

REVISIONS				
ZONE	REV	DESCRIPTION	DATE	APPROVED




* Applicable size of IC package : IC body size 10.0 x 10.0 mm
IC outer size 12.0 x 12.0 mm

IC package	Square
Pin count	52Pin
Lead pitch	0.65mm

DRAWING NOT TO SCALE

ALL DIMENSIONS ARE IN MILLIMETERS

 www.adapters.com	adapters.com <i>An Embedded Systems Solutions Company</i>		
	DESCRIPTION: BASE-NQ-052Q65-SMT		
TEL:(408)855-8527 FAX:(408)855-8528 3024 Scott Blvd. Santa Clara, CA 95054	SIZE A	DATE: 12-10-01	PART NO. 000-2085-00
	SCALE 1:1	CHECKED: Gabor Kardos	DRAWN BY: S. Barcellos
			REV SHEET

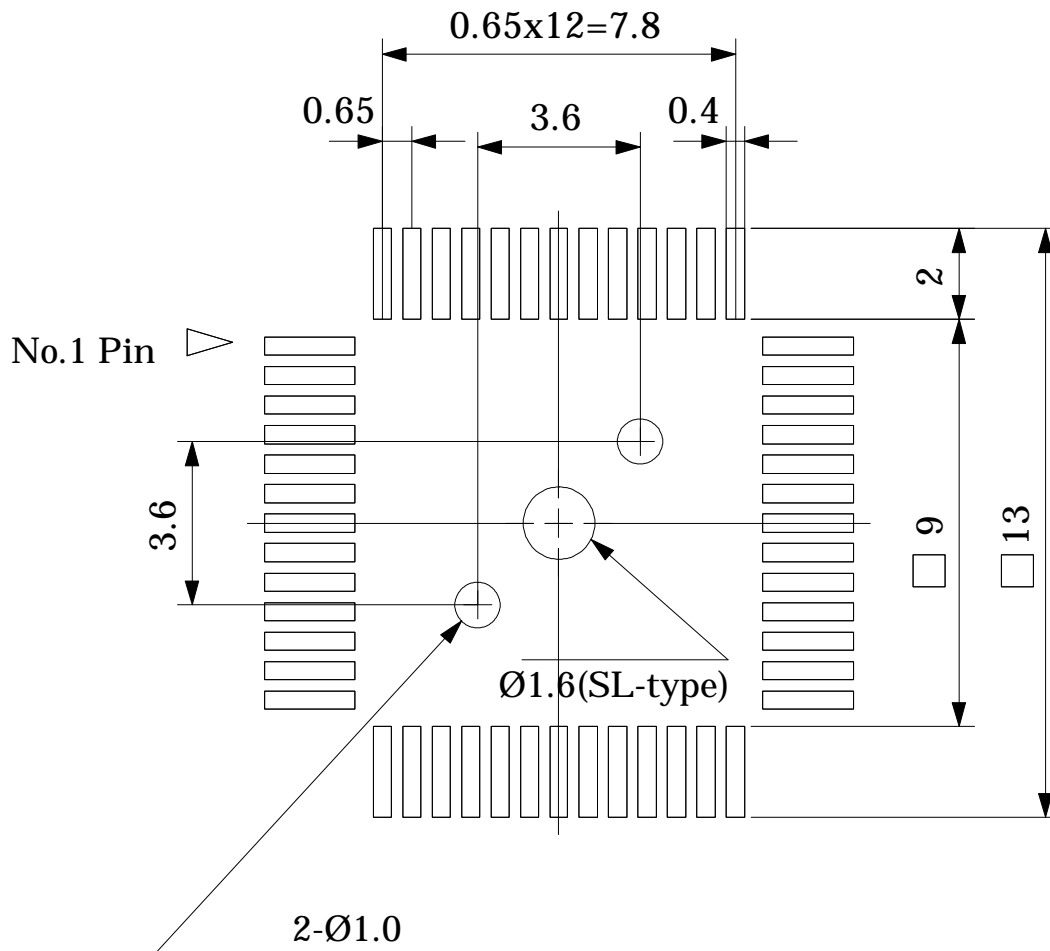
1

2

3

4

Recommended a Footpattern of NQPACK052SB



* Recommended foot pattern shown on left is for NQPACK soldering.
But please refer to IC package foot pattern recommended by IC manufacturer
also, when the package is soldered on the same foot pattern.

Part No.	NQPACK052SB	
IC package	Square	
Pin count	52Pin	
Lead pitch	0.65mm	
Unit : mm		Design : M.H