

1

2

3

4

A

A

B

B

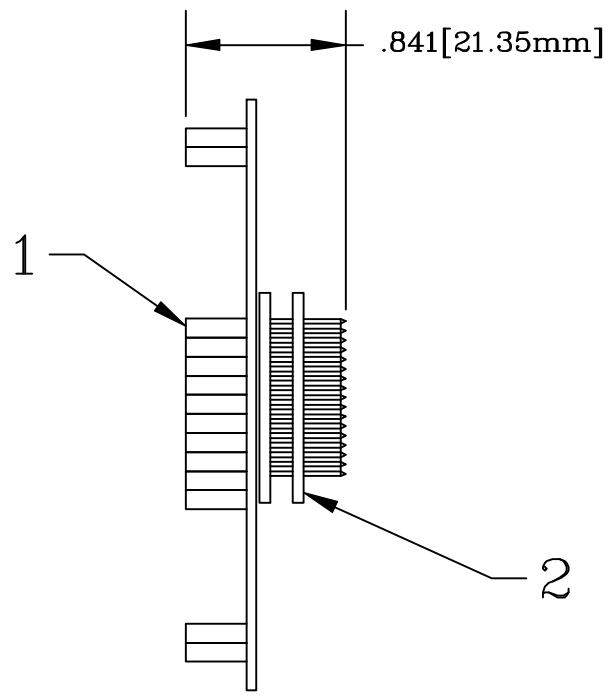
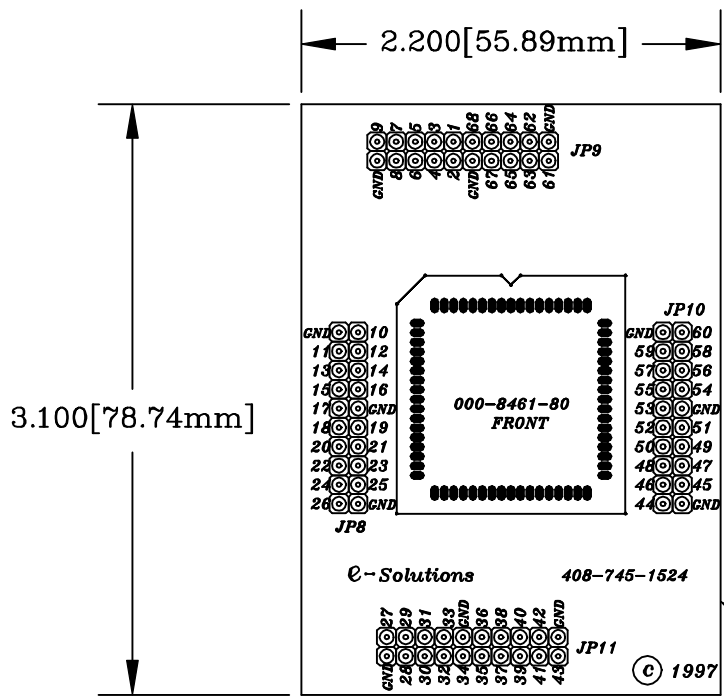
C

C

D

D

REVISIONS				
ZONE	REV	DESCRIPTION	DATE	APPROVED



NO.	PART NUMBER	DESCRIPTION	QTY.
1	000-1536-00	HAEDR-F-1-025-(.023X.118)-1X36	2
2	000-4363-50	BASE-68PLCC-16.5m-SKT-532-TYPE2	1
3	000-8651-80	PCB-NOHAU-8X931HX/68PLCC	1

**adapters.com**  
An Embedded Systems Solutions Company

www.adapters.com

TEL:(408)855-8527  
FAX:(408)855-8528

3024 Scott Blvd.  
Santa Clara, CA 95054

DESCRIPTION:  
EMAD-NOHAU-8X931HX-68PLCC

SIZE <b>A</b>	DATE: 10-22-97	PART NO. <b>180-3950-10</b>	REV
SCALE <b>1:1</b>	CHECKED: Gabor Kardos	DRAWN BY: S. Barcellos	SHEET

1

2

3

4