

1

2

3

4

A

A

B

B

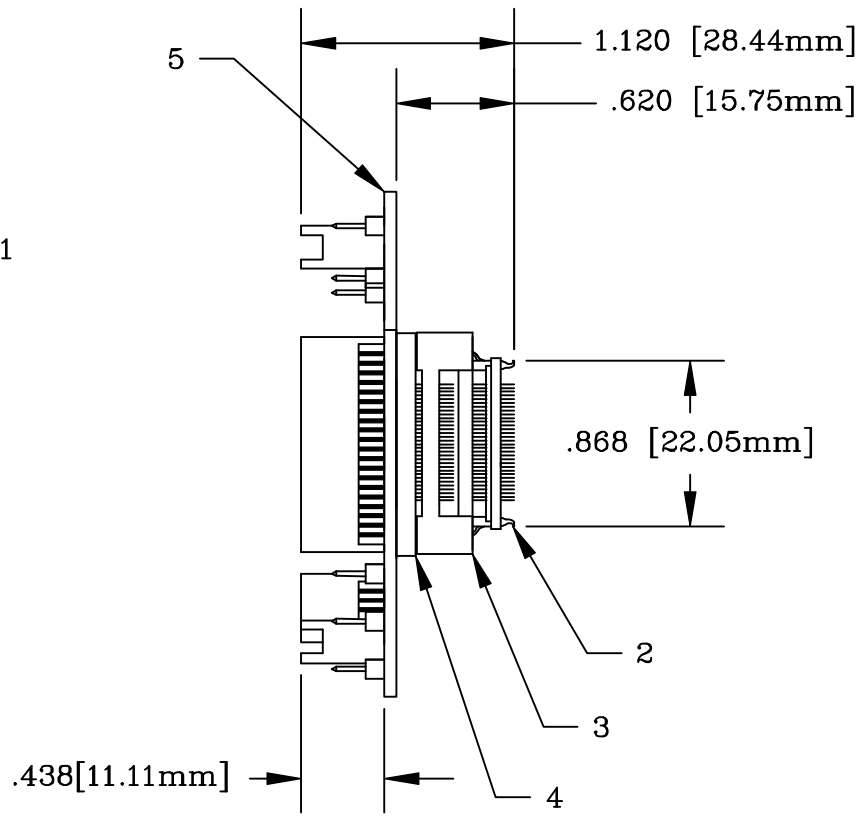
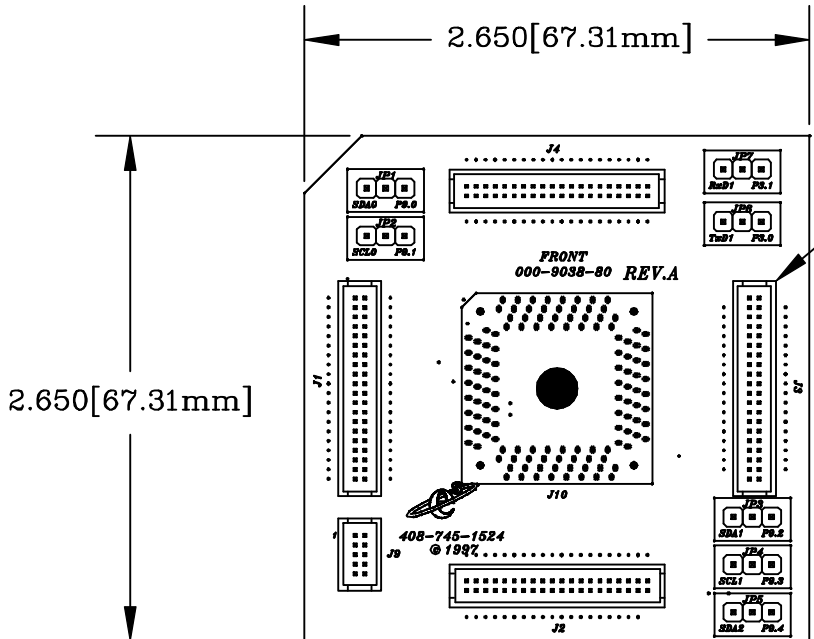
C

C


D

D

REVISIONS				
ZONE	REV	DESCRIPTION	DATE	APPROVED



NO.	PART NUMBER	DESCRIPTION	QTY.
1	000-1620-20	HEADR-BOX-SMT-M-5-2X20-LOCKING	4
2	000-2303	BASE-NQ-144Q5-SMT	1
3	000-2305	BASE-YQ-144Q5-EM-CVR	1
4	000-3776	RECEP-YQ-144Q5-SDF	1
5	000-9038-80	PCB-NOHAU-128/144Q5-NQ-C161SI/CI	1



adapters.com
An Embedded Systems Solutions Company

www.adapters.com

TEL:(408)855-8527
FAX:(408)855-8528

3024 Scott Blvd.
Santa Clara, CA 95054

DESCRIPTION: EMADSM-128Q5/144-NQ-NOHAU-C161si/ci

SIZE: A	DATE: 6-4-98	PART NO. 180-5785-10	REV
SCALE: 1:1	CHECKED: Gabor Kardos	DRAWN BY: S. Barcellos	SHEET

1

2

3

4