

REVISIONS			
REV.	DESCRIPTION	ECN NO.	DATE
01	FIRST RELEASE	N/A	07/28/14

When ordering, please add suffix "T" to the part number for tape & reel packaging (330mm reel).

PAGE 4 & 5 ARE FOR INTERNAL ONLY

TITLE

TRANSFORMER, 1000BASE-T(PoE Plus),
DUAL, SMD, 48 PIN, EXT. TEMP.

PART NUMBER	PART DESCRIPTION
824-00499F	RoHS compliant per EU Directive 2011/65/EU



E & E Magnetic Products Ltd.

WARNING !
ALL SHEETS OF THIS DOCUMENT ARE CONTROLLED DOCUMENTATION AND ARE NOT TO BE RELEASED OUTSIDE OF E&E OR ITS SUB-CONTRACTORS WITHOUT AUTHORIZATION.

UNLESS OTHERWISE SPECIFIED, DIMENSIONS ARE IN INCH/mm.

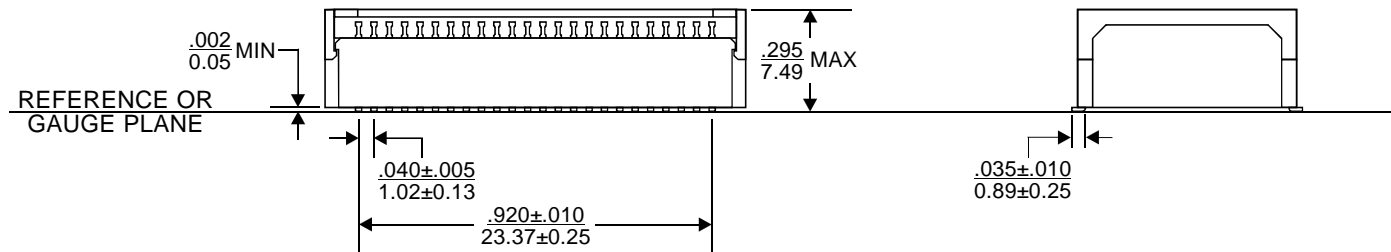
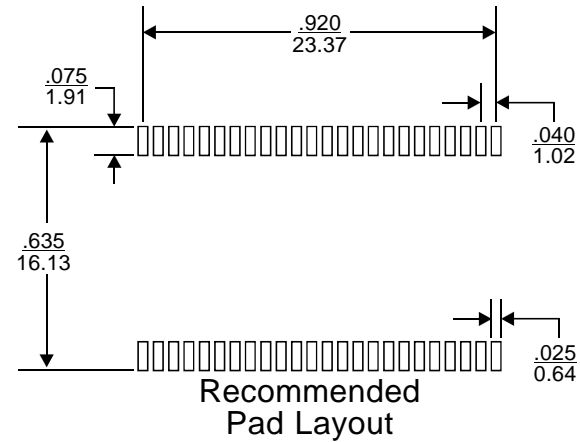
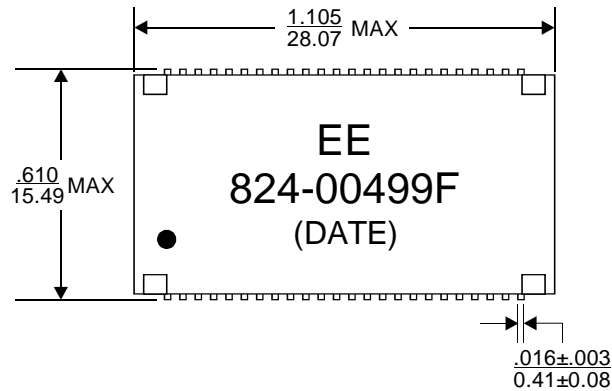
TOLERANCE ARE:

INCH	mm	ANGLE
.XXX ± .005	.XX ± 0.13	X.X ± 0.3
.XX ± .02	.X ± 0.5	X. ± 1

APPROVALS	DATE
DRAWN BY Y.L. YUNG	07/28/14
PROJ. ENG Y.L. YUNG	07/28/14
APPROVED BY D. YUNG	07/28/14
Q.A. D. LUO	07/28/14

DRAWING NO./MODEL 824-00499F	REV 01
--	------------------

SCALE DO NOT SCALE	PAGE 1	OF 5
------------------------------	------------------	----------------



1. Dimensions are specified in $\frac{\text{inches}}{\text{mm}}$ with higher precedence in inches.
2. Unless otherwise specified, all tolerances are $\pm \frac{.010}{0.25}$.
3. Coplanarity: $\frac{.004}{0.10}$ max.
4. "(DATE)" includes at least the manufacturing date code (in YYWW format) plus two character country code.

MECHANICAL OUTLINE



E & E Magnetic Products Ltd.

DRAWING NO./MODEL

824-00499F

REV

01

SCALE

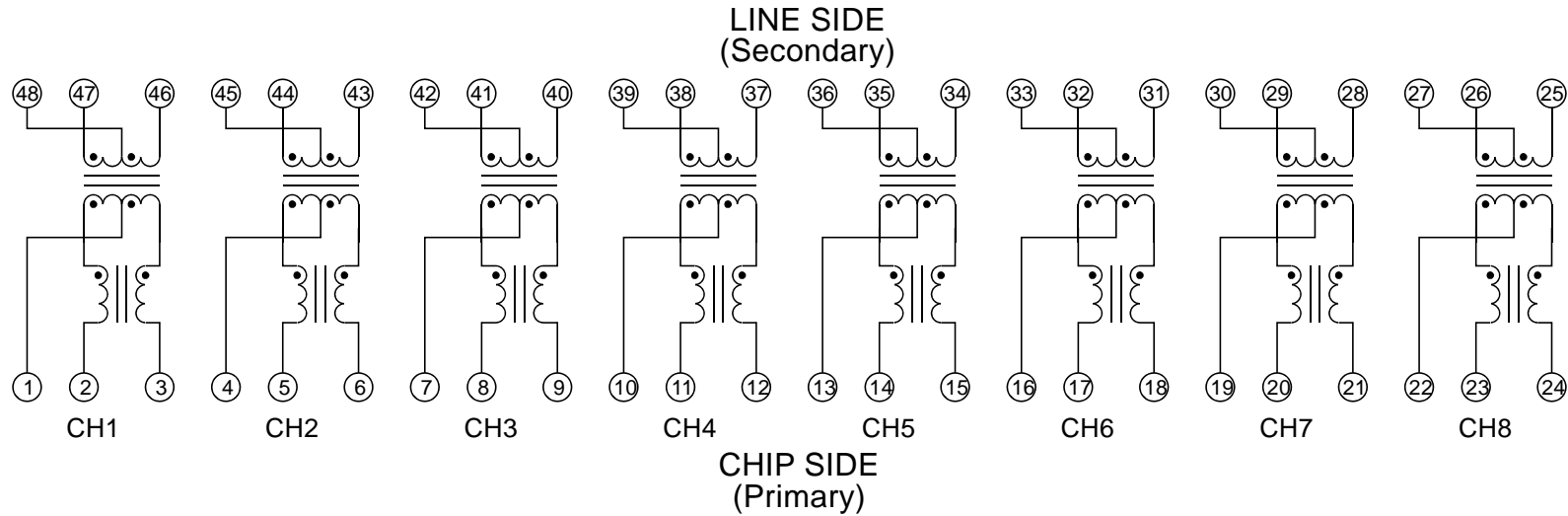
DO NOT SCALE

PAGE

2

OF

5



SCHEMATIC

ELECTRICAL SPECIFICATION @25°C:

PARAMETERS	UNIT	EACH CHANNEL
Turns Ratio (Primary):(Secondary)	-	1CT:1CT ± 2%
Polarity (Primary):(Secondary)	-	Per Schematic
5 Inductance, Ls(Primary) @100kHz, 0.1Vrms, 11mADC	uH	350 Min
5 Inductance, Ls(Primary) @100kHz, 0.1Vrms, 19mADC	uH	120 Min
Insertion Loss @1-100MHz	dB	1.2 Max
Insertion Loss @100-125MHz	dB	1.9 Max
Return Loss @1-40MHz	dB	18 Min
6 Return Loss @40-100MHz	dB	12-20Log(F/80) Min
CMRR @1-100MHz	dB	30 Min
Crosstalk @1-100MHz, Between Channels	dB	33 Min
HIPOT (Primary):(Secondary)	Vrms	1500 Min

5. Temperature range: -40°C to +85°C.

6. "F" represents the test frequency specified in MHz.

7. Balanced DC line current capability (Line Side): 600mADC maximum.



E & E Magnetic Products Ltd.

DRAWING NO./MODEL

824-00499F

REV

01

SCALE

DO NOT SCALE

PAGE

3

OF

5